

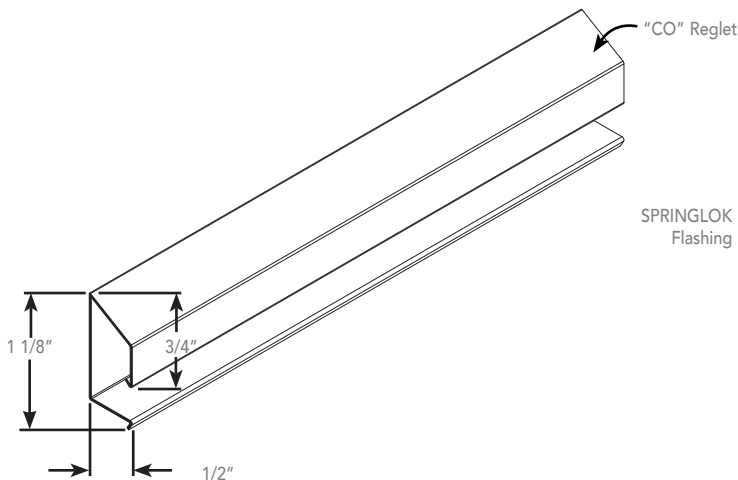
Used in poured-in-place concrete construction, this reglet is provided with a protective foam backer rod to prevent grout and concrete from entering the reglet opening.

**FEATURES AND BENEFITS**

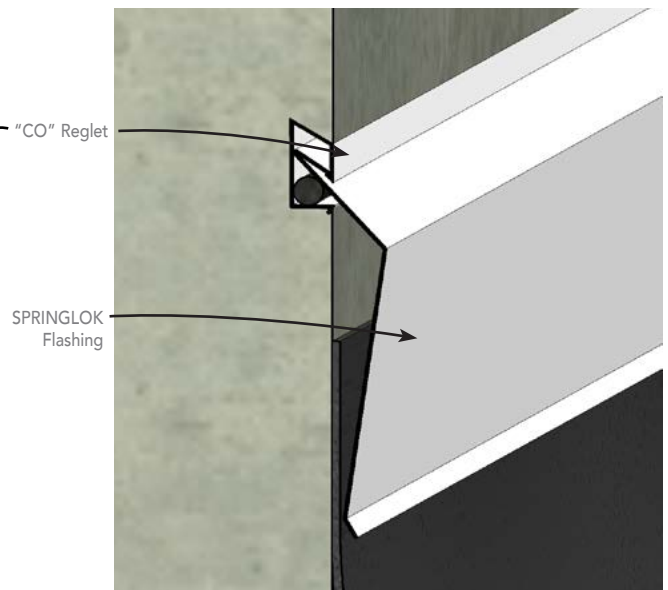
- Connector clips are included to provide positive alignment at joints
- Special staples are provided to simplify installation
- 1" end lap allows for proper alignment and eliminates leaky butt joints
- Roll-formed to ensure precise fit every time

**PRODUCT DESCRIPTION:**

<u>MATERIAL</u>	<u>THICKNESS</u>	<u>FINISH</u>	<u>COLOR</u>
Galvanized Steel	26 gage	Standard Zinc Finish	N/A
Copper	16oz	Standard Uncoated Finish	N/A
Aluminum	0.025"	Polyester Coating	Grey
Stainless Steel, Type 304	0.020"	Standard Uncoated Finish	N/A



**PRODUCT DETAIL**



**ASSEMBLY DETAIL**