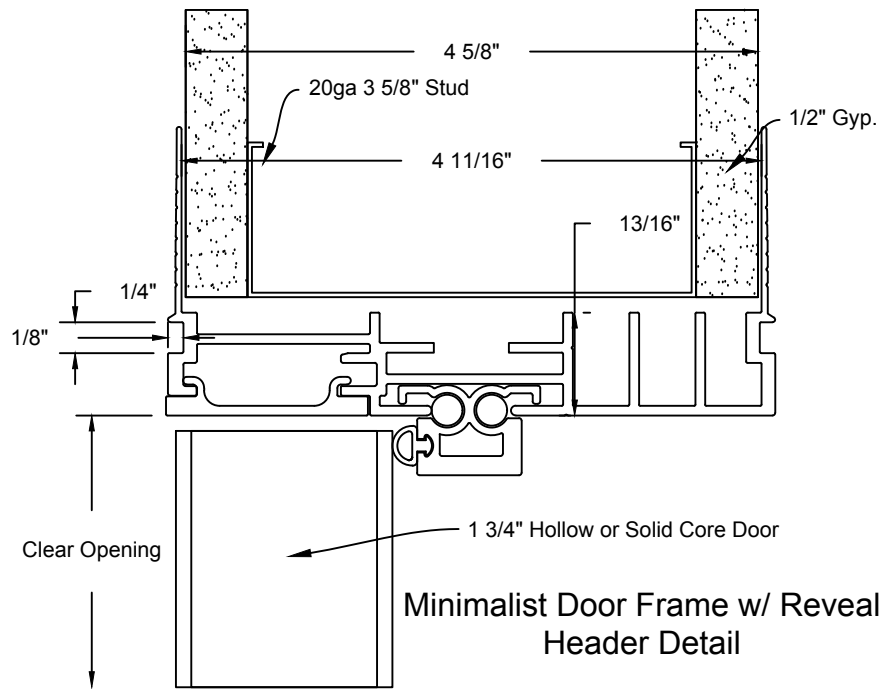
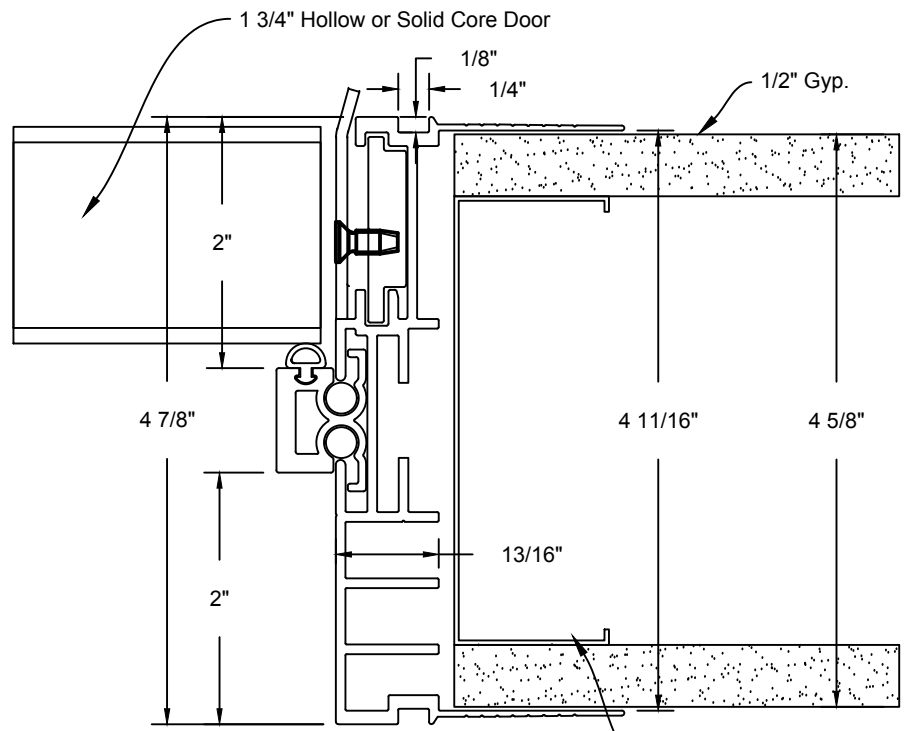


Minimalist Door Frame w/ Reveal  
Hinge Detail

|                |  |           |            |
|----------------|--|-----------|------------|
| JOB #:         |  | DATE:     | 09/21/2017 |
| JOB NAME:      | Minimalist Door Frame w/ Reveal Exposed Hinge Header Detail 4 5/8" | REVISION: | 0          |
| FILE LOCATION: |  | DRAWN BY: | Cad Dept   |
|                |  | SCALE:    | N.T.S.     |
|                |  | SHEET:    | 1 of 3     |



|                |  |           |            |
|----------------|--|-----------|------------|
| JOB #:         |  | DATE:     | 09/21/2017 |
| JOB NAME:      | Minimalist Door Frame w/ Reveal Exposed Hinge Header Detail 4 5/8" | REVISION: | 0          |
| FILE LOCATION: |  | DRAWN BY: | Cad Dept   |
|                |  | SCALE:    | N.T.S.     |
|                |  | SHEET:    | 2 of 3     |



Minimalist Door Frame w/ Reveal  
Strike Detail

20ga 3 5/8" Stud

|                |  |           |            |
|----------------|--|-----------|------------|
| JOB #:         |  | DATE:     | 09/21/2017 |
| JOB NAME:      | Minimalist Door Frame w/ Reveal Exposed Hinge Strike Detail 4 5/8" | REVISION: | 0          |
| FILE LOCATION: |  | DRAWN BY: | Cad Dept   |
|                |  | SCALE:    | N.T.S.     |
|                |  | SHEET:    | 3 of 3     |