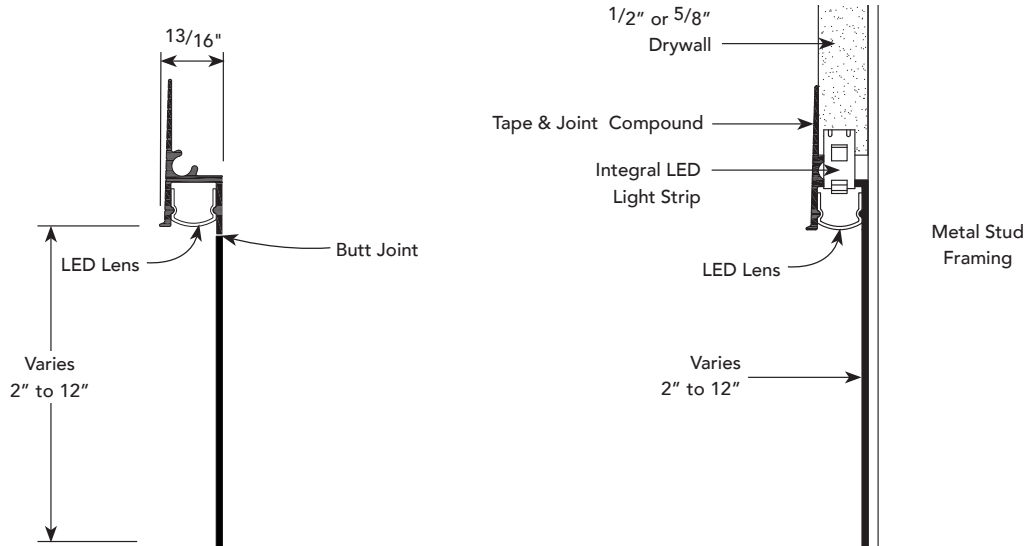


LED FLAT BASE

PRODUCT DETAIL

INSTALLATION DETAIL / Cross Section

FLAT BASE 2" - 12"



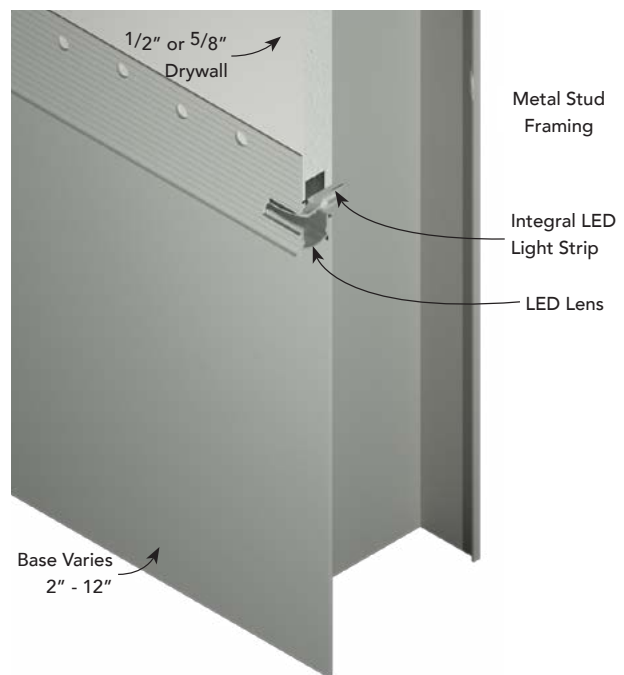
USAGE

Fry Reglet LED Flat Base 2" to 12" installs in 1/2" or 5/8" drywall and provides a continuous band of light at the base of drywall partitions. 2 - piece system allows for scribing to accommodate inconsistent floors. Frosted lens included.

GUIDE SPECIFICATION

Where indicated on drawings, Fry Reglet LED Flat Base, as manufactured by Fry Reglet Corporation, shall be installed. Aluminum shall be extruded alloy 6063 T5, with clear anodized or powder coat finish. Specify length and Kelvin temperature.

INSTALLATION DETAIL / ISO View



LIGHTING OPTIONS

LED FLAT BASE

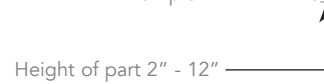
FLAT BASE 2" - 12"

LED'S / FT	KELVIN	LENGTH	PART #
32	2700	2'	LED-FLATBS_A2C
		4'	LED-FLATBS_A4C
		6'	LED-FLATBS_A6C
		8'	LED-FLATBS_A8C
		10'	LED-FLATBS_A10C
	3000	2'	LED-FLATBS_B2C
		4'	LED-FLATBS_B4C
		6'	LED-FLATBS_B6C
		8'	LED-FLATBS_B8C
		10'	LED-FLATBS_B10C
	3500	2'	LED-FLATBS_C2C
		4'	LED-FLATBS_C4C
		6'	LED-FLATBS_C6C
		8'	LED-FLATBS_C8C
		10'	LED-FLATBS_C10C
	4000	2'	LED-FLATBS_D2C
		4'	LED-FLATBS_D4C
		6'	LED-FLATBS_D6C
		8'	LED-FLATBS_D8C
		10'	LED-FLATBS_D10C

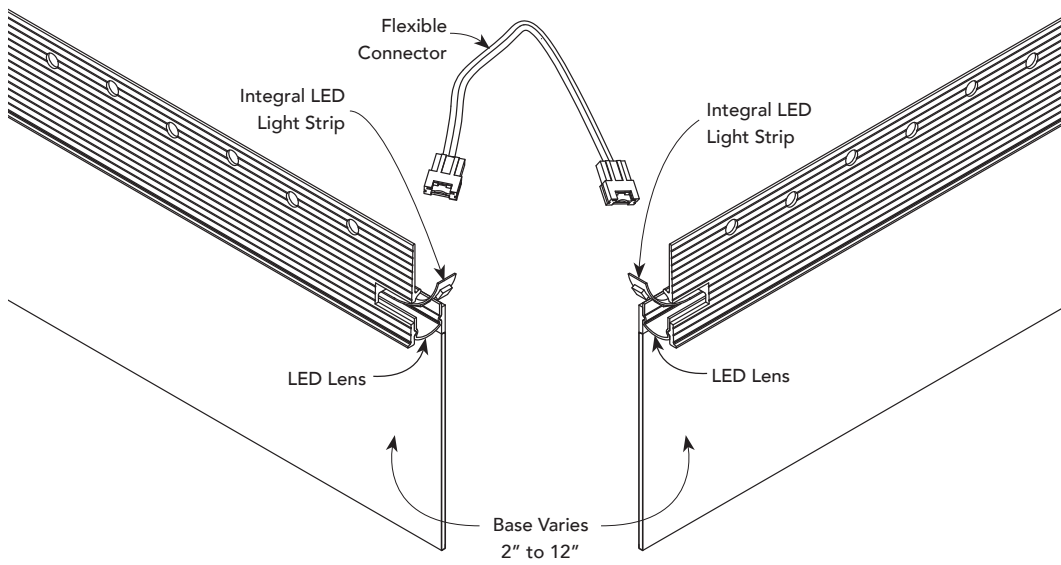
C = CLEAR ANODIZED

P = PAINTED

Example: LED-FLATBS_A2C/P



LED - REVEAL TO REVEAL CONNECTION DETAIL



LED - REVEAL TO DRIVER CONNECTION DETAIL

