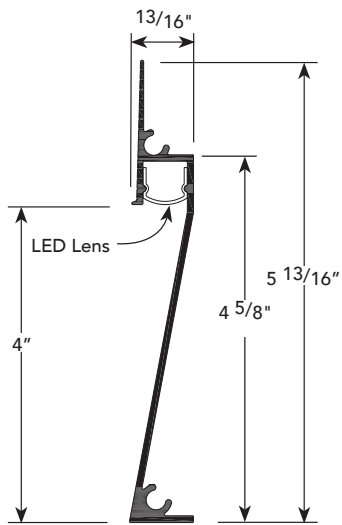


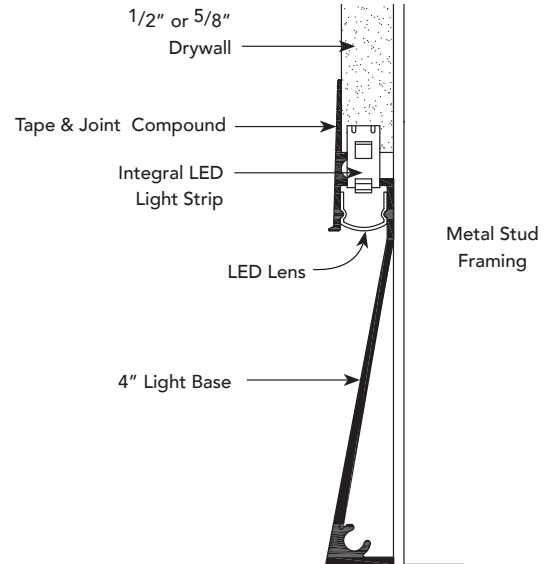
PRODUCT DETAIL



INSTALLATION DETAIL / Cross Section

LED LIGHT BASE

4" BASE



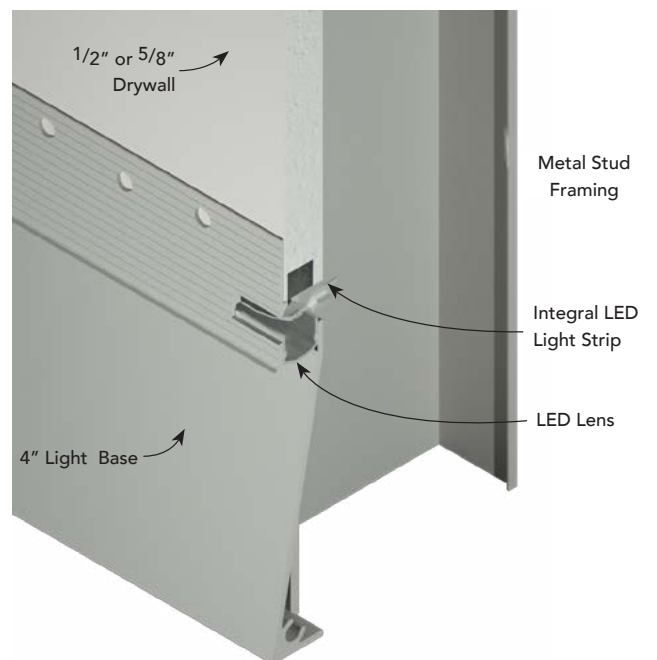
USAGE

Fry Reglet 4" Light Base installs in 1/2" or 5/8" drywall and provides a continuous band of light at the base of drywall partitions. Frosted lens included.

GUIDE SPECIFICATION

Where indicated on drawings, Fry Reglet 4" Light Base, as manufactured by Fry Reglet Corporation, shall be installed. Aluminum shall be extruded alloy 6063 T5, with clear anodized or powder coat finish. Specify length and Kelvin temperature.

INSTALLATION DETAIL / ISO View



**LED LIGHT BASE**

**LIGHTING OPTIONS**

**4" BASE**

LED'S / FT	KELVIN	LENGTH	PART #
32	2700	2'	LED-BS4A2C
		4'	LED-BS4A4C
		6'	LED-BS4A6C
		8'	LED-BS4A8C
		10'	LED-BS4A10C
	3000	2'	LED-BS4B2C
		4'	LED-BS4B4C
		6'	LED-BS4B6C
		8'	LED-BS4B8C
		10'	LED-BS4B10C
	3500	2'	LED-BS4C2C
		4'	LED-BS4C4C
		6'	LED-BS4C6C
		8'	LED-BS4C8C
		10'	LED-BS4C10C
	4000	2'	LED-BS4D2C
		4'	LED-BS4D4C
		6'	LED-BS4D6C
		8'	LED-BS4D8C
		10'	LED-BS4D10C

C = CLEAR ANODIZED

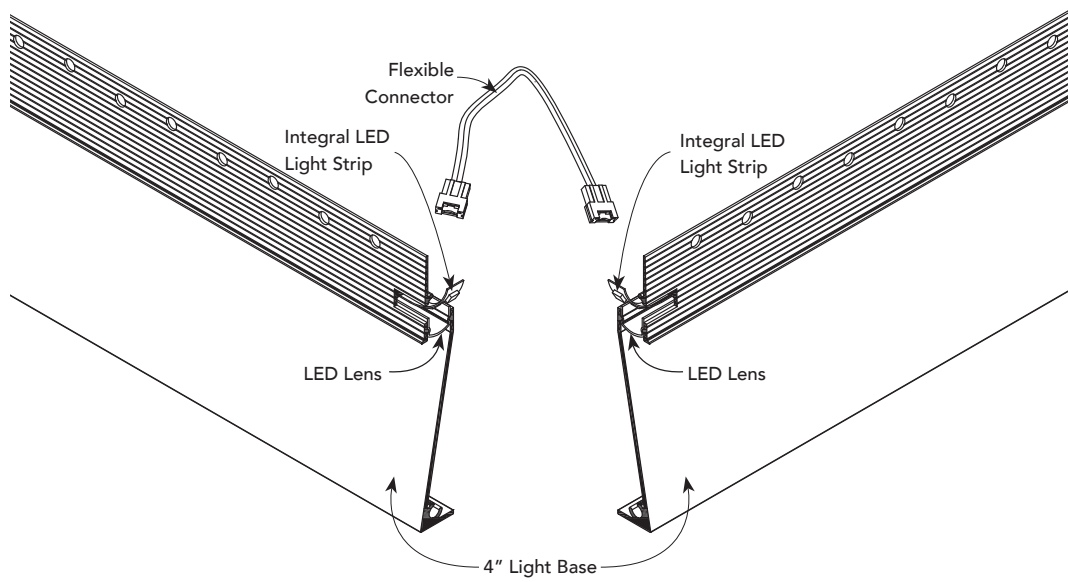
P = PAINTED

PRODUCT DETAIL

LED LIGHT BASE

4" BASE

LED - REVEAL TO REVEAL CONNECTION DETAIL



LED - REVEAL TO DRIVER CONNECTION DETAIL

