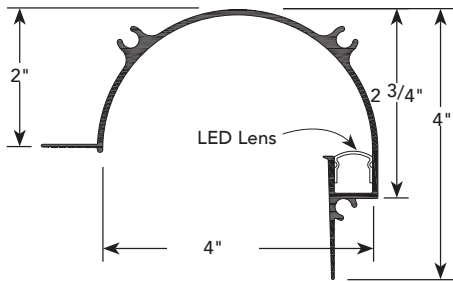


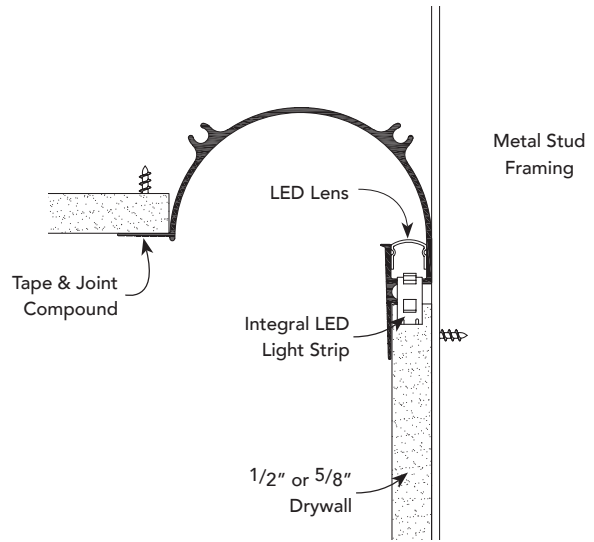
PRODUCT DETAIL



INSTALLATION DETAIL / Cross Section

LED TROUGH

4" TROUGH



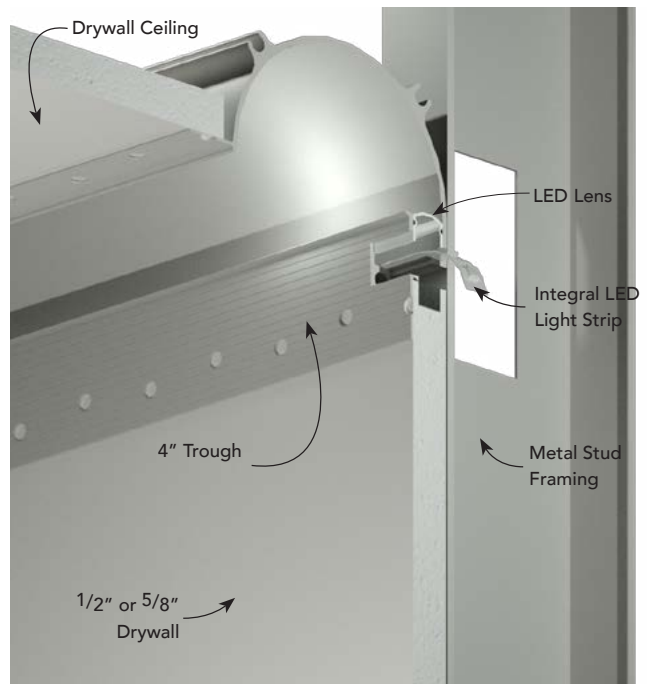
USAGE

Fry Reglet 4" Trough installs in 1/2" or 5/8" drywall and provides a continuous linear Trough of light at the ceiling. Frosted lens included.

GUIDE SPECIFICATION

Where indicated on drawings, Fry Reglet 4" Trough, as manufactured by Fry Reglet Corporation, shall be installed. Aluminum shall be extruded alloy 6063 T5, with clear anodized or powder coat finish. Specify length and Kelvin temperature.

INSTALLATION DETAIL / ISO View



**LED TROUGH**

**LIGHTING OPTIONS**

<b>4" TROUGH</b>	<b>LED'S / FT</b>	<b>KELVIN</b>	<b>LENGTH</b>	<b>PART #</b>
	32	2700	2'	LED-TR4A2C
			4'	LED-TR4A4C
			6'	LED-TR4A6C
			8'	LED-TR4A8C
			10'	LED-TR4A10C
		3000	2'	LED-TR4B2C
			4'	LED-TR4B4C
			6'	LED-TR4B6C
			8'	LED-TR4B8C
			10'	LED-TR4B10C
		3500	2'	LED-TR4C2C
			4'	LED-TR4C4C
			6'	LED-TR4C6C
			8'	LED-TR4C8C
			10'	LED-TR4C10C
		4000	2'	LED-TR4D2C
			4'	LED-TR4D4C
			6'	LED-TR4D6C
			8'	LED-TR4D8C
			10'	LED-TR4D10C

C = CLEAR ANODIZED

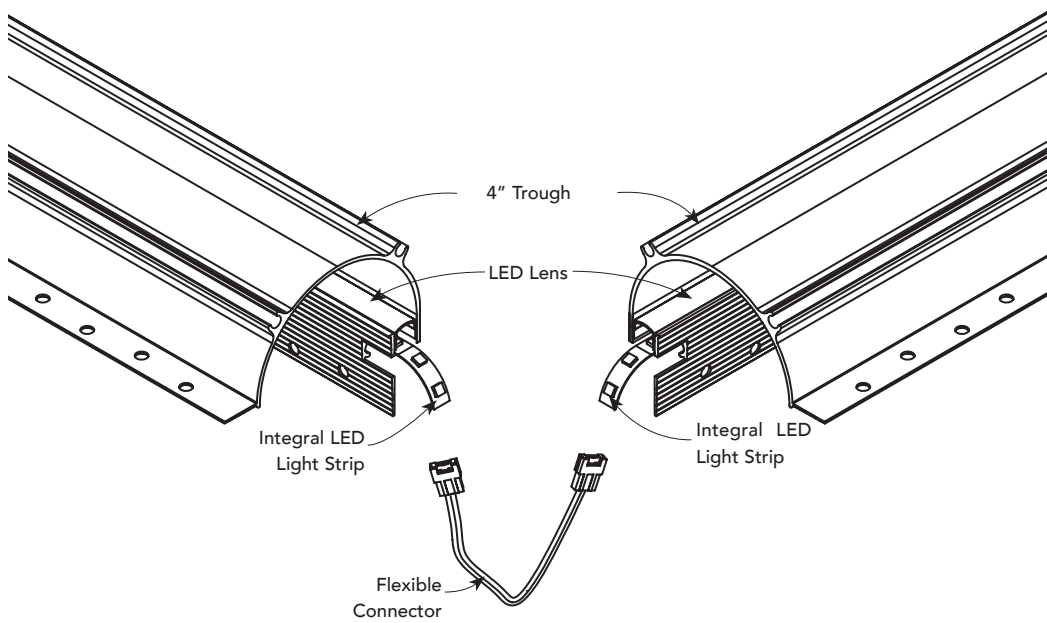
P = PAINTED

PRODUCT DETAIL

LED TROUGH

4" TROUGH

LED - REVEAL TO REVEAL CONNECTION DETAIL



LED - REVEAL TO DRIVER CONNECTION DETAIL

