

**"SM" SURFACE MOUNTED REGLET****SPRINGLOK**

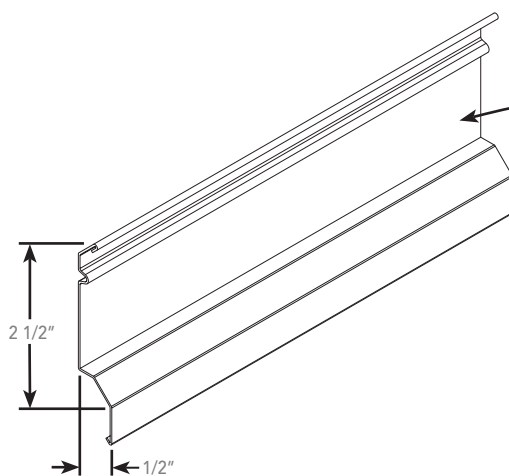
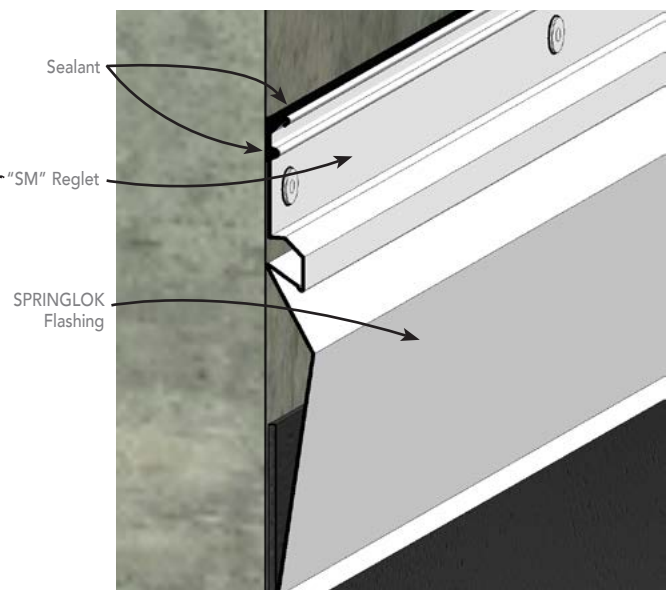
SM reglet is designed for installation on any type of parapet wall, including tilt-up panels, precast panels, masonry and other smooth surfaces. Reglets are surface mounted with drive pins which are sealed with special washers (7/8" diameter stainless steel with neoprene facing).

**FEATURES AND BENEFITS**

- Factory punched slots at 16" o.c. allow for expansion and contraction.
- Washers and drive pins are included.
- Design provides two grooves for application of polyurethane, polysulfide or silicone sealant.
- 1" end lap allows for proper alignment and eliminates leaky butt joints
- Roll-formed to ensure precise fit every time

**PRODUCT DESCRIPTION:**

<b>MATERIAL</b>	<b>THICKNESS</b>	<b>FINISH</b>	<b>COLOR</b>
Galvanized Steel	24 gage	Standard Zinc Finish	N/A
Galvanized Steel	24 gage	Kynar 500/Hylar 500	Specify color
Galvanized Steel	24 gage	Factory applied powder paint	Specify color
Copper	16oz	Standard Uncoated Finish	N/A
Aluminum	0.025" / 0.040"	Polyester Coating	Grey
Stainless Steel, Type 304	0.020"	Standard Uncoated Finish	N/A

**PRODUCT DETAIL****ASSEMBLY DETAIL**