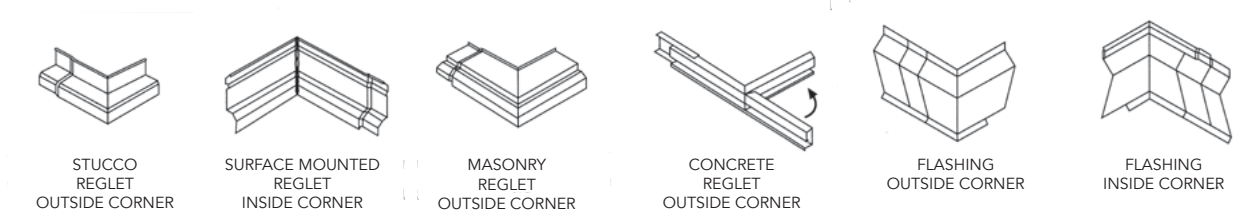


**ACCESSORIES**

**SPRINGLOK**

**FACTORY FABRICATED REGLET CORNERS**

- Factory fabricated reglet and flashing corners are mitered and sealed to help reduce installation time.
- Reglet corners are available in all material except aluminum. Flashing corners are available in all materials.



**COLOR REGLETS & FLASHING**

- Reglets and flashing are available with factory applied powder paint finishes in all standard colors.
  - Special order pre-coated flashing and reglets in factory applied Kynar 500/Hylar 500 finishes.
- Contact Fry Reglet for colors, lead times and minimum order requirements.

**CONCRETE REGLET ACCESSORIES**

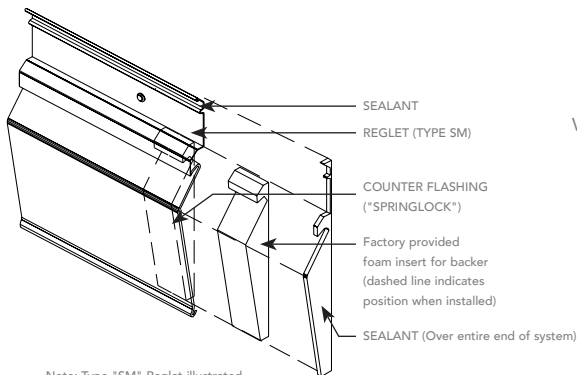
- Connector clips provide positive alignment at joints and prevent concrete leakage during pouring.
- Installation staples secure reglet to forms prior to pouring.

**WINDLOK CLIP**

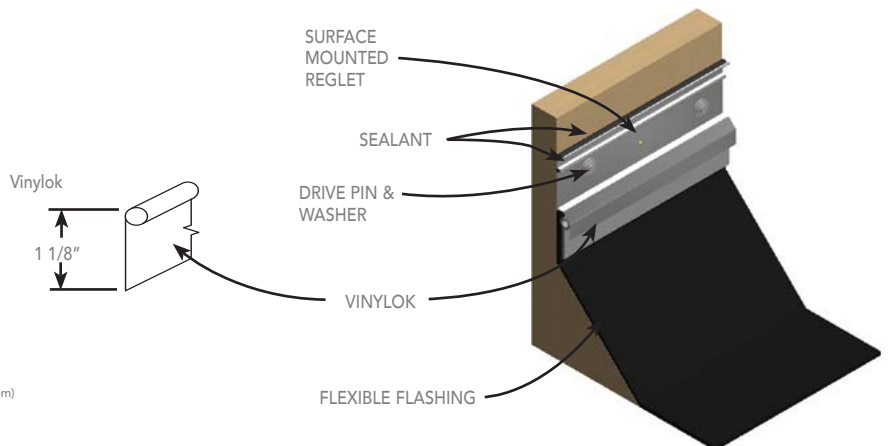
- Optional pre-drilled 1 1/4" x 2 1/2" stainless steel metal straps designed to improve flashing performance in high wind locations by locking lower edge of flashing. Suitable for use with all reglets.

**VINYLOK FLASHING RETAINER**

- Polyvinyl chloride Vinylok flashing retainer designed for tight spaces between parapet and cant strip where standard flashing will not fit.
- For use with ST stucco, STX stucco, MA masonry and SM surface mount reglets. Not for use with CO concrete reglet.
- Flexible flashing is installed to contact reglet. Vinylok retainer is pressed into area with "tail" flat against flashing.



Note: Type "SM" Reglet illustrated



**SPRINGLOK FLASHING END CAP**

**PRODUCT DETAIL**

**ASSEMBLY DETAIL**