

# ELEVATE

**FRY** REGLET

ENGINEERED PRODUCT SYSTEMS

**ELEVATOR CAB INTERIORS** PRODUCT BROCHURE

Henry Domke Fine Art



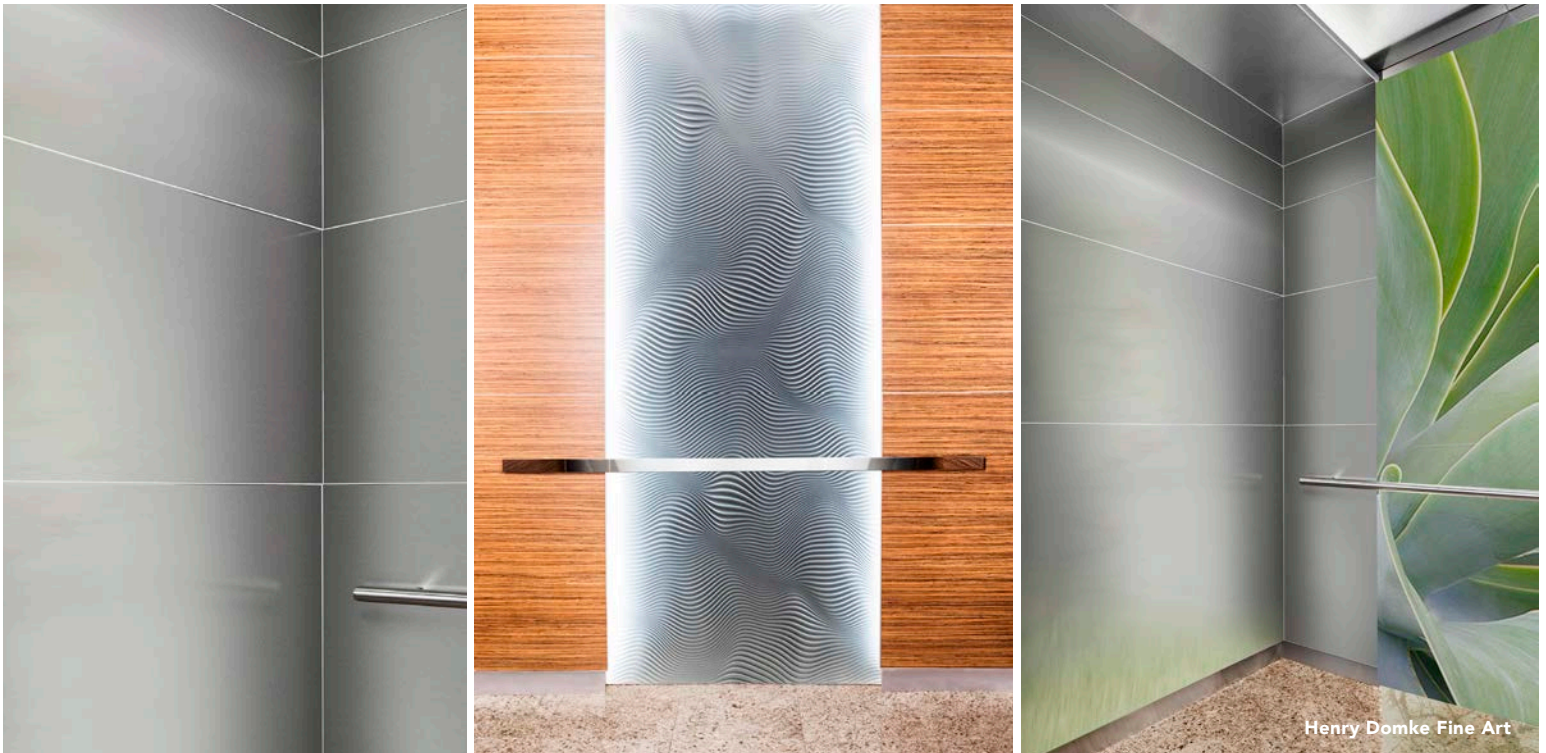
## ELEVATOR CAB INTERIORS

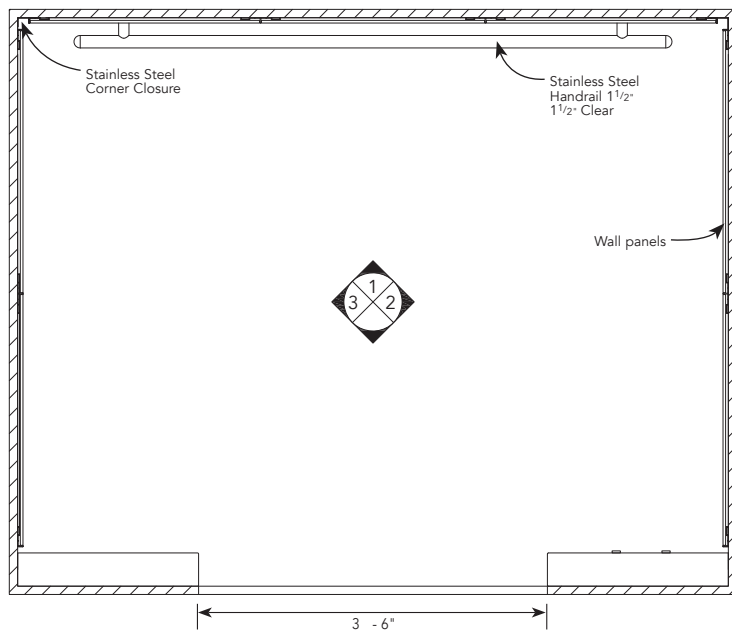
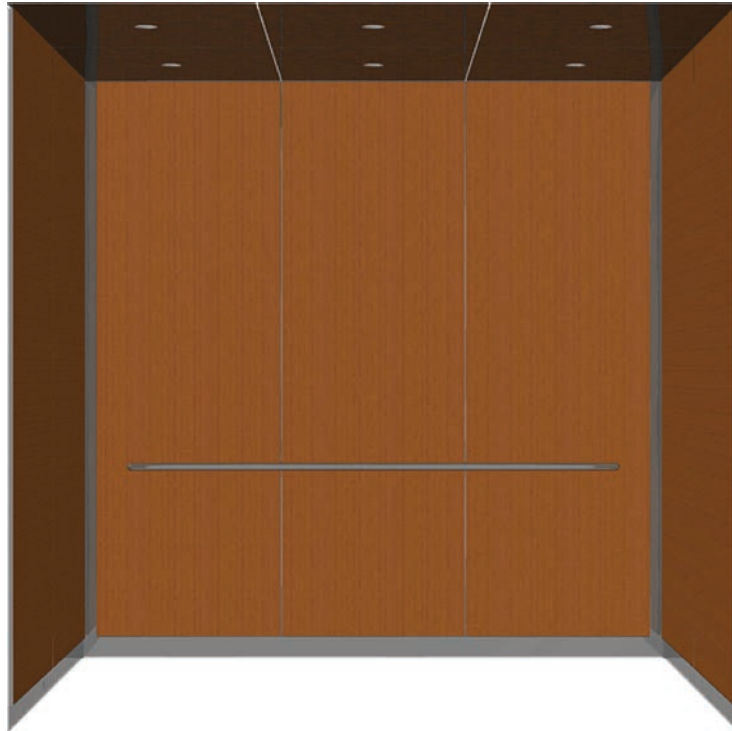
### CUSTOMIZABLE. SLEEK. TURNKEY.

Our Elevator Cab Finish System provides designers with a turnkey solution for an unlimited range of wall panel finishes, handrails, ceilings and lighting options. Fry Reglet's factory-fabricated aluminum framing system can be finished in stainless, clear anodized, or powder coat.

#### FEATURES AND BENEFITS

- Non-progressive installation with point accessible wall panels
- Standard 1¼" depth or sleek ¾" system depth
- Ability to remove/replace panels provides lower life-cycle costs to the owner
- Multiple budget options
- Panel finish options include glass, metal, wood, phenolic, metal, plastic laminate, and acrylic





PLAN VIEW

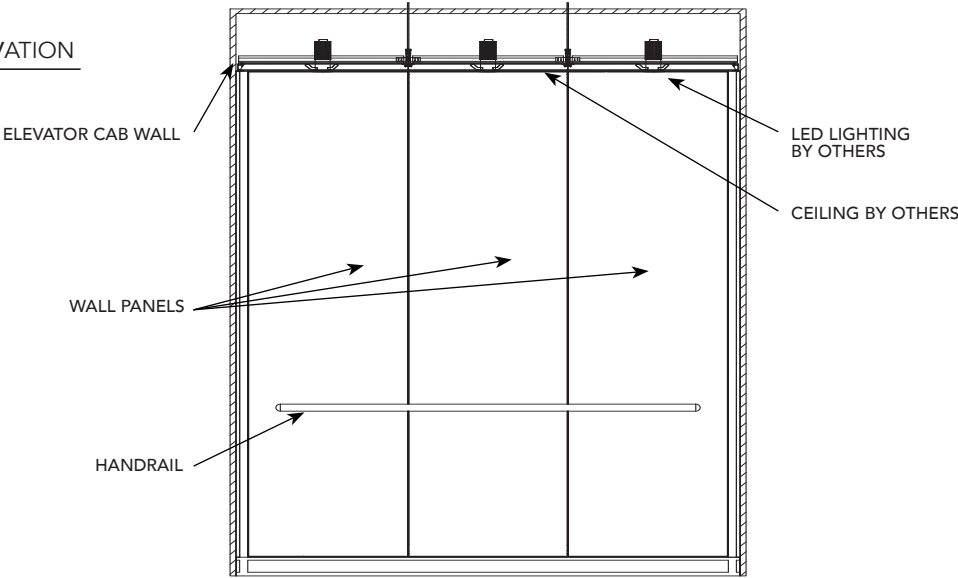
INTERIOR ELEVATION

PRODUCT DETAIL

ELEVATOR CAB

1

INTERIOR ELEVATION

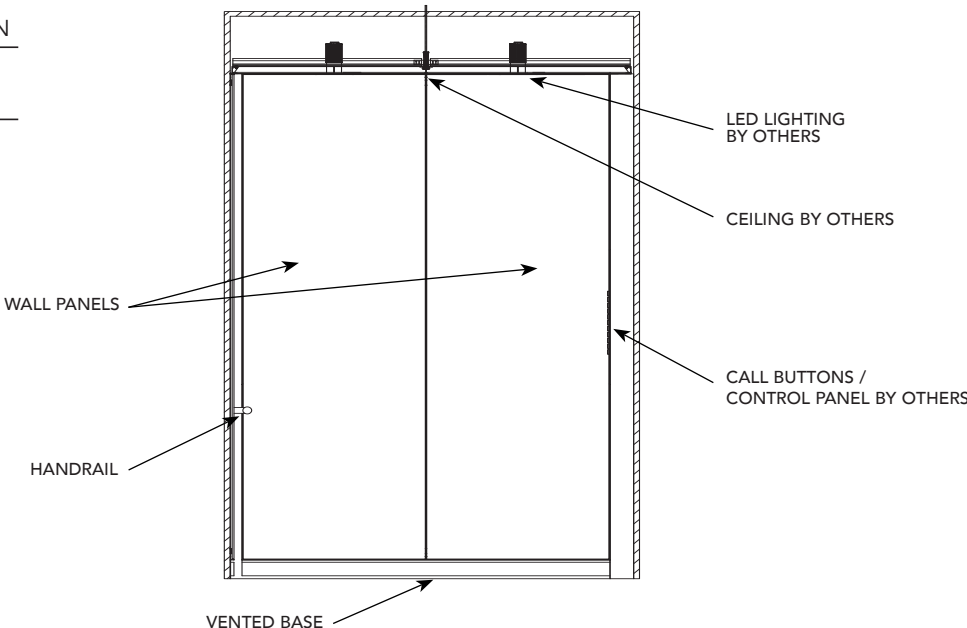


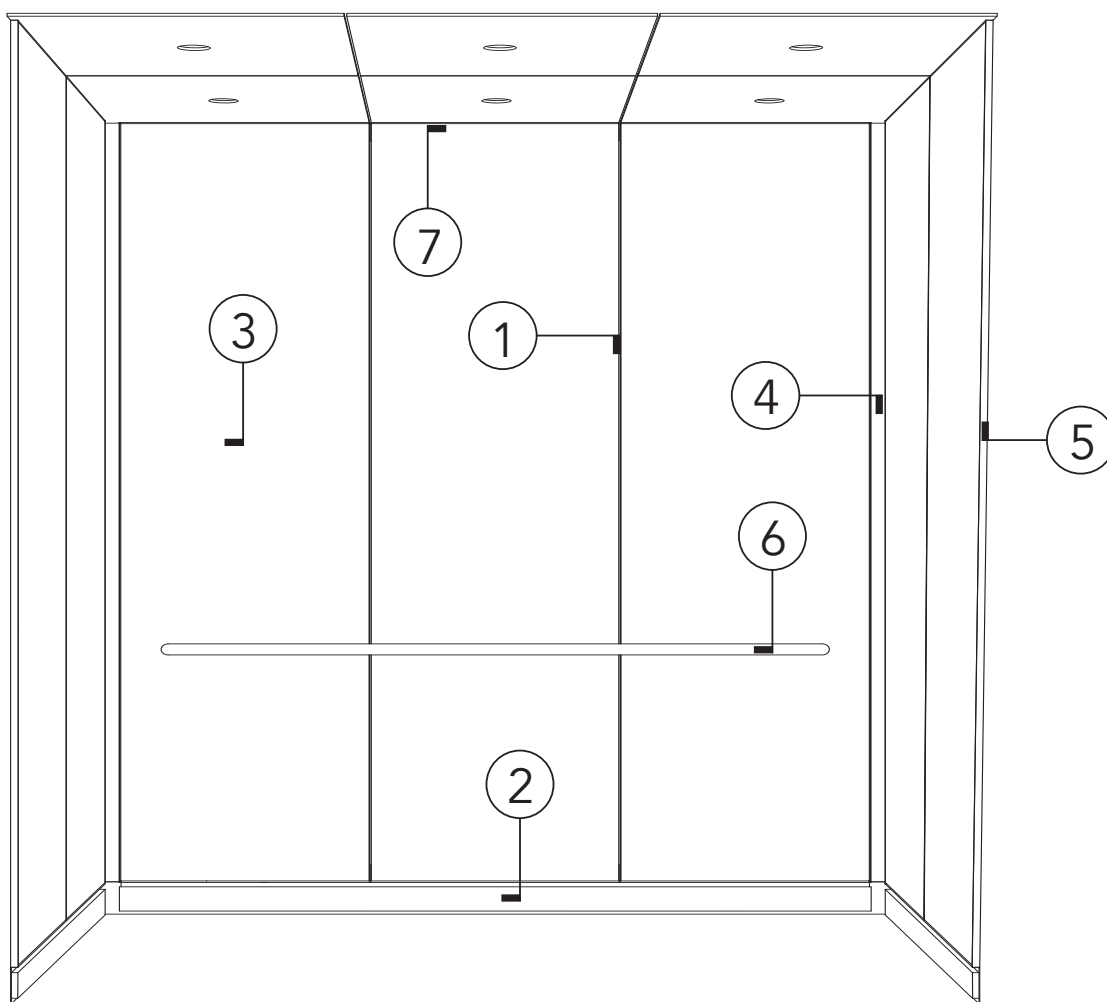
2

INTERIOR ELEVATION

3

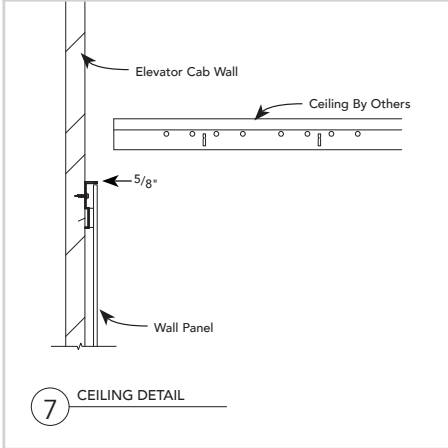
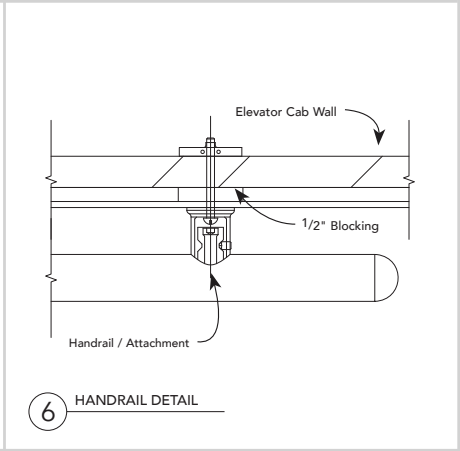
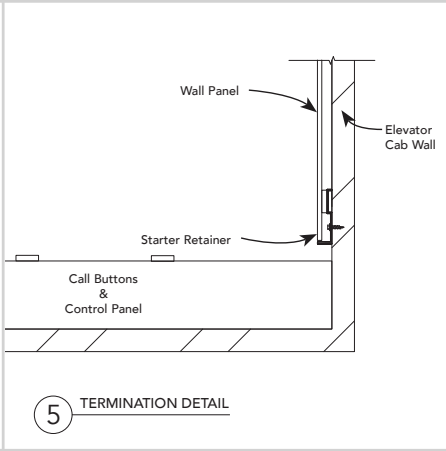
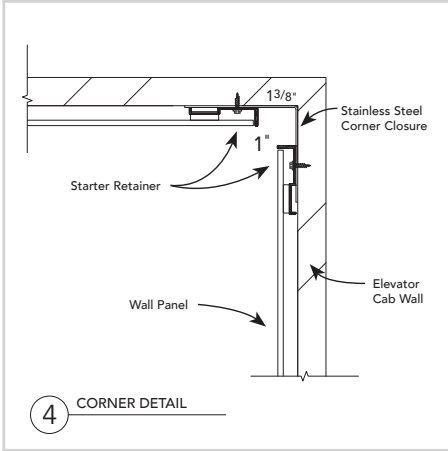
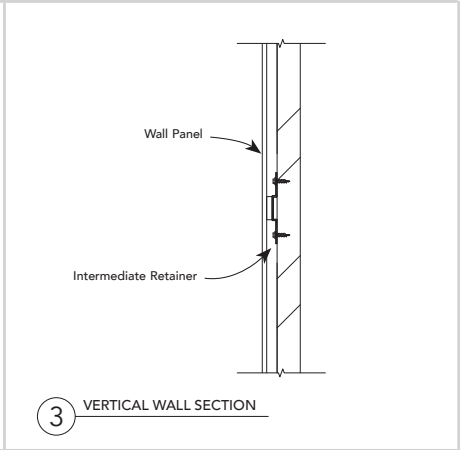
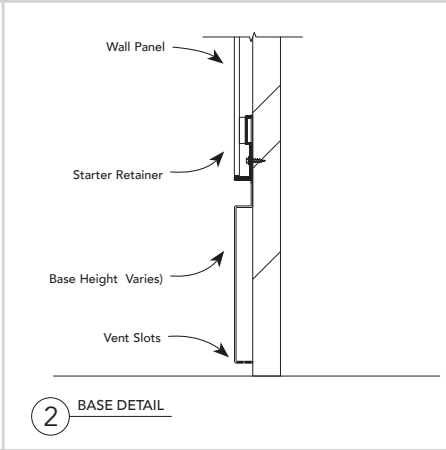
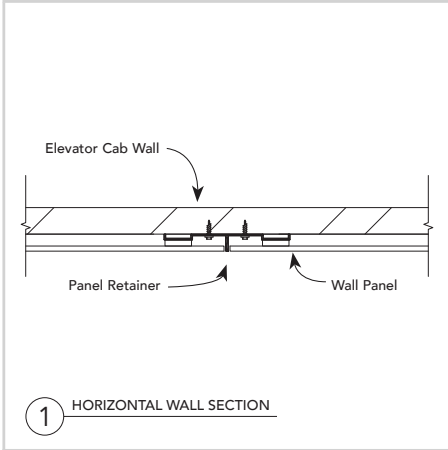
OPPOSITE





PRODUCT DETAIL

ELEVATOR CAB



# **FRY** REGLET

800-237-9773 | [www.fryreglet.com](http://www.fryreglet.com)