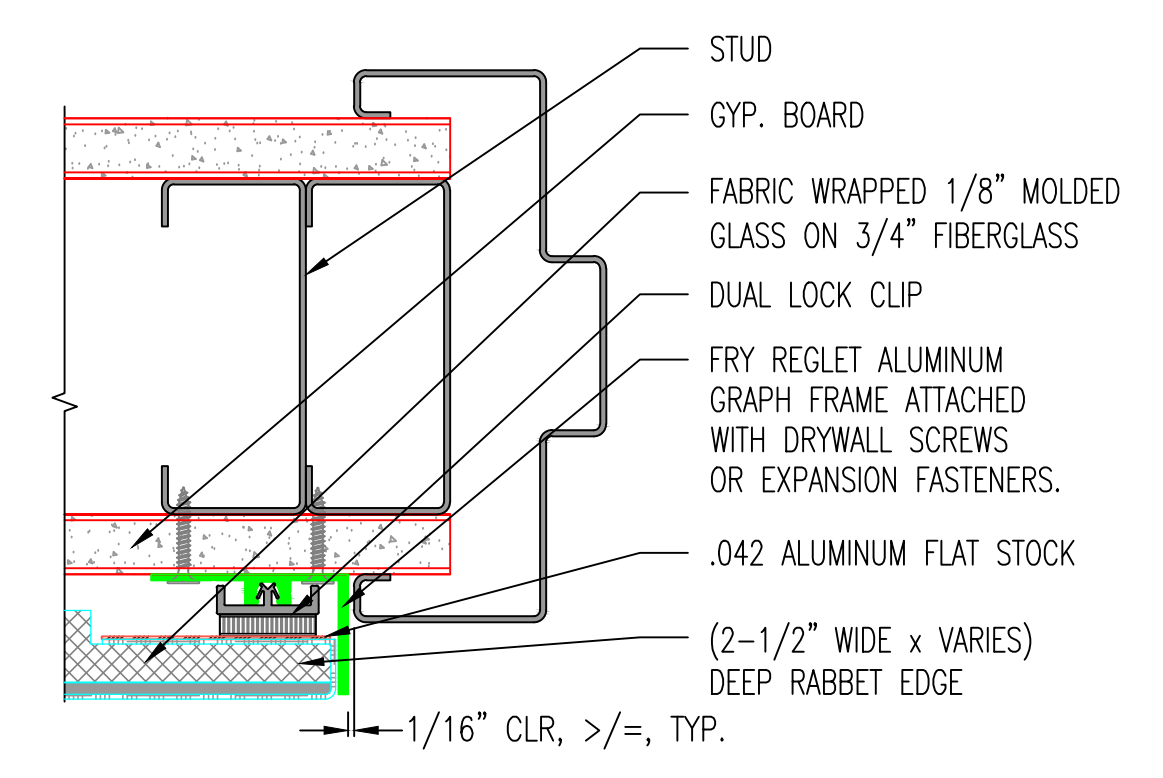
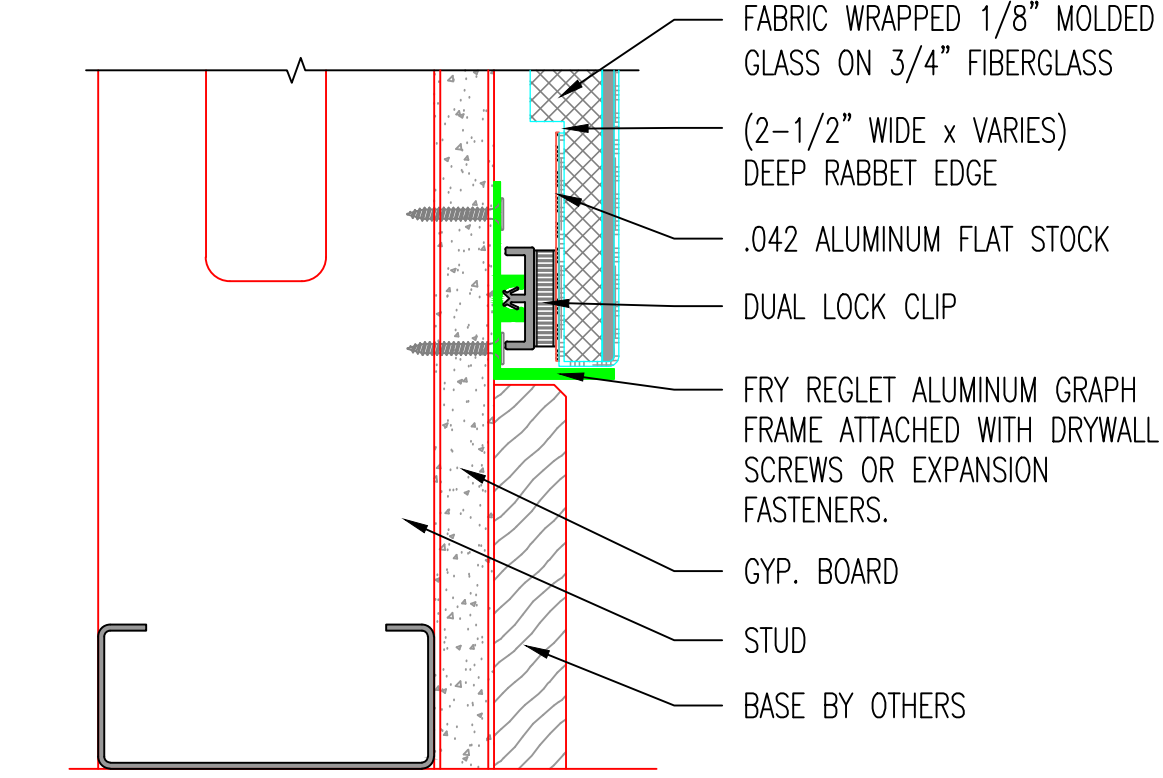
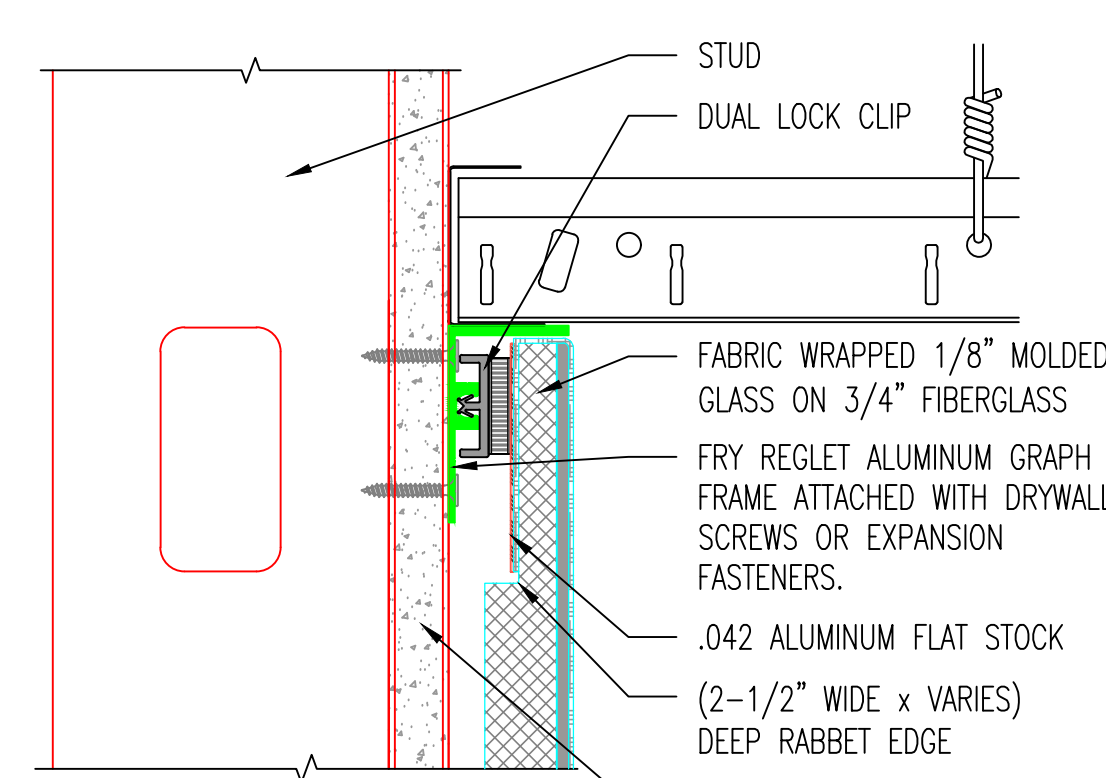
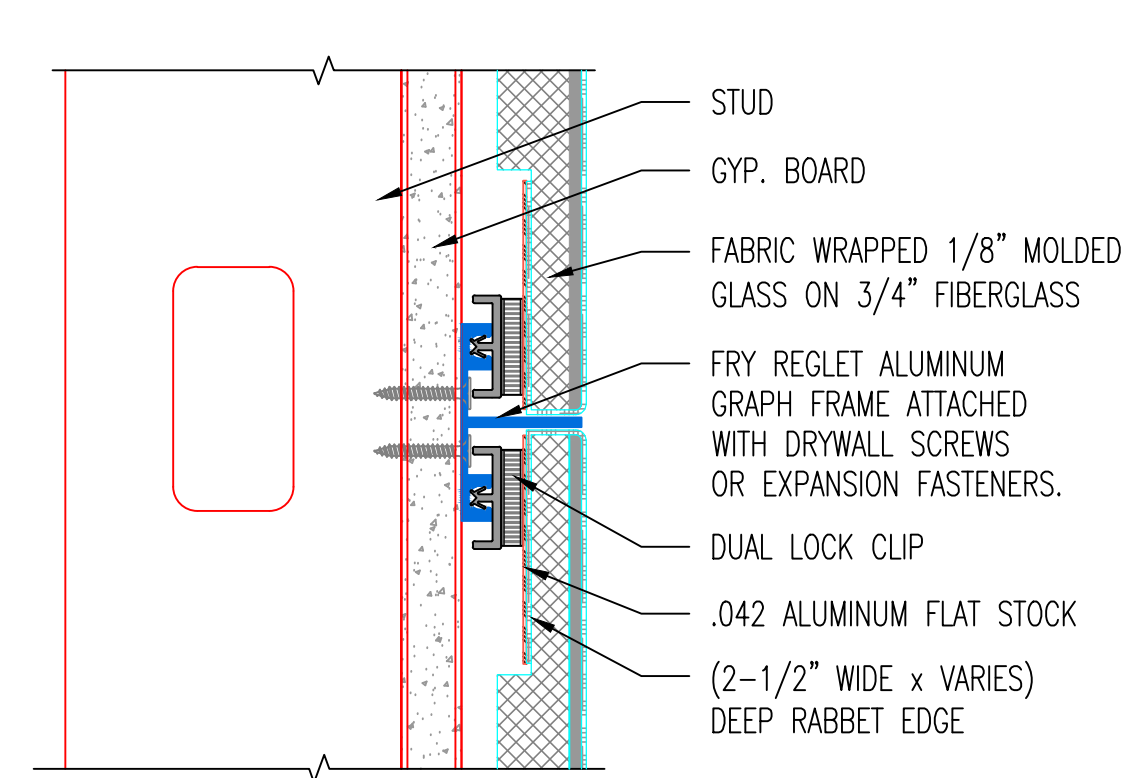
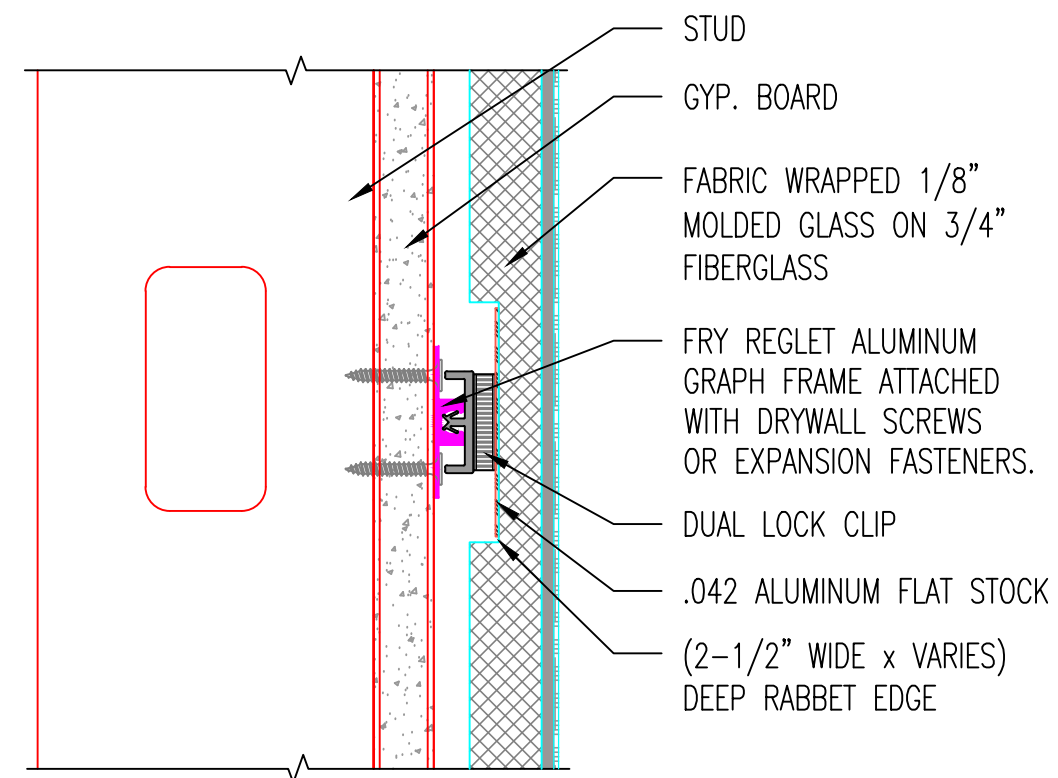


PROFILES

SCALE: NTS



A INTERMEDIATE RETAINER DETAIL

SCALE: NTS

B PANEL RETAINER DETAIL

SCALE: NTS

C CEILING TERMINATION DETAIL

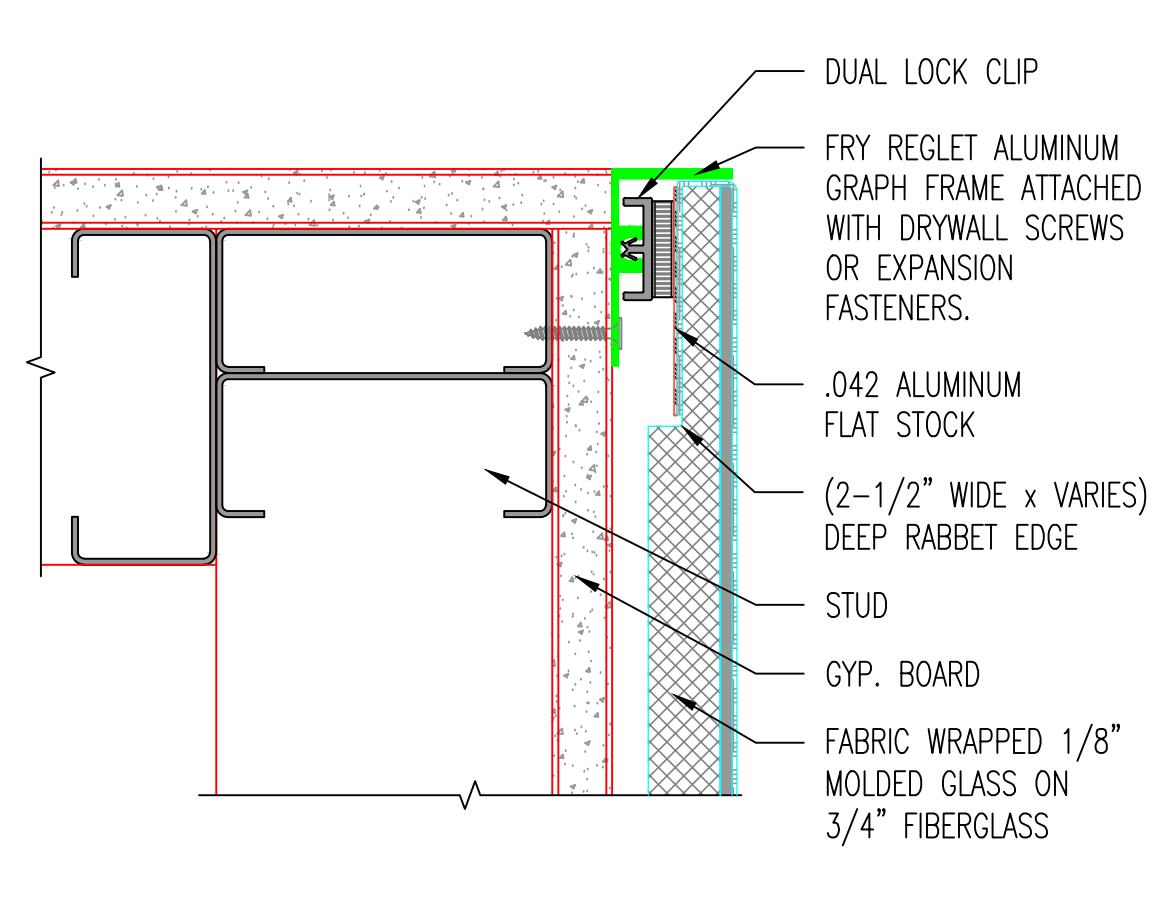
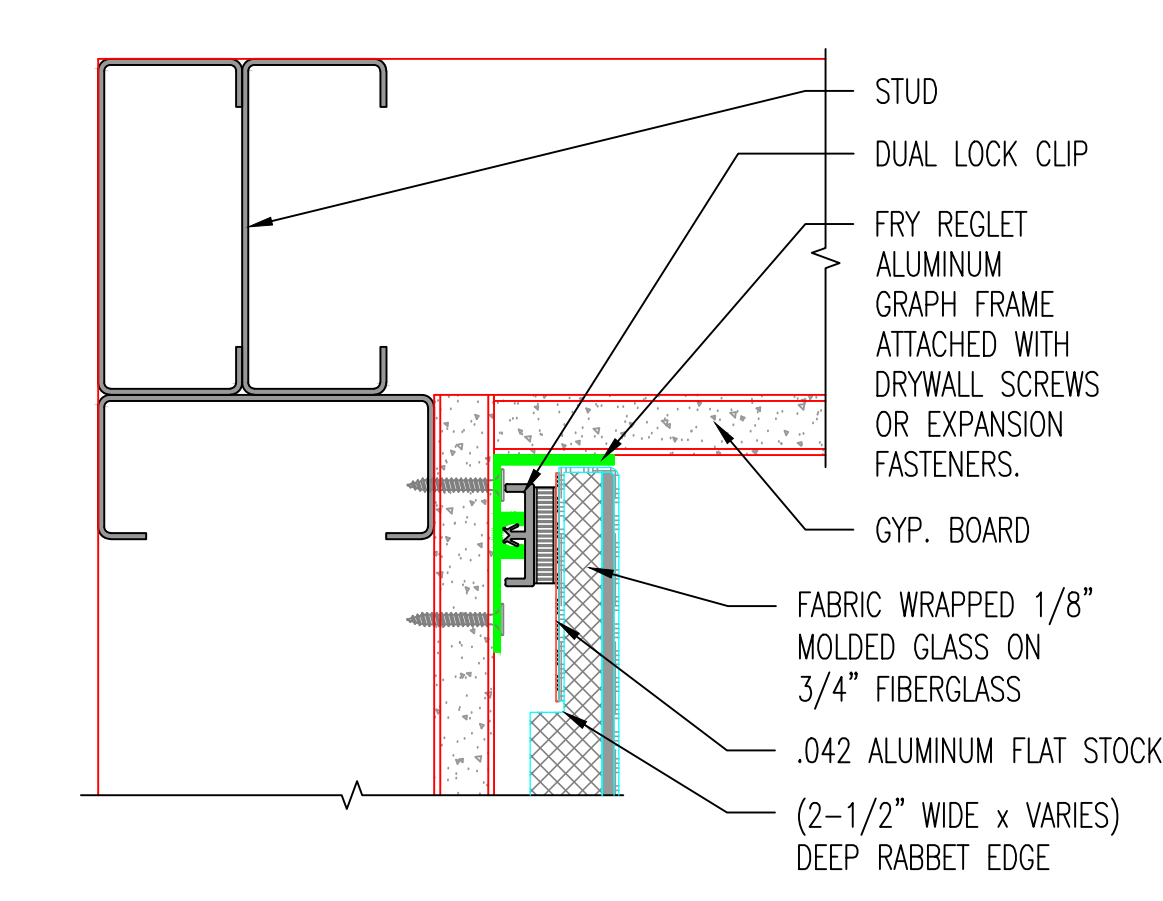
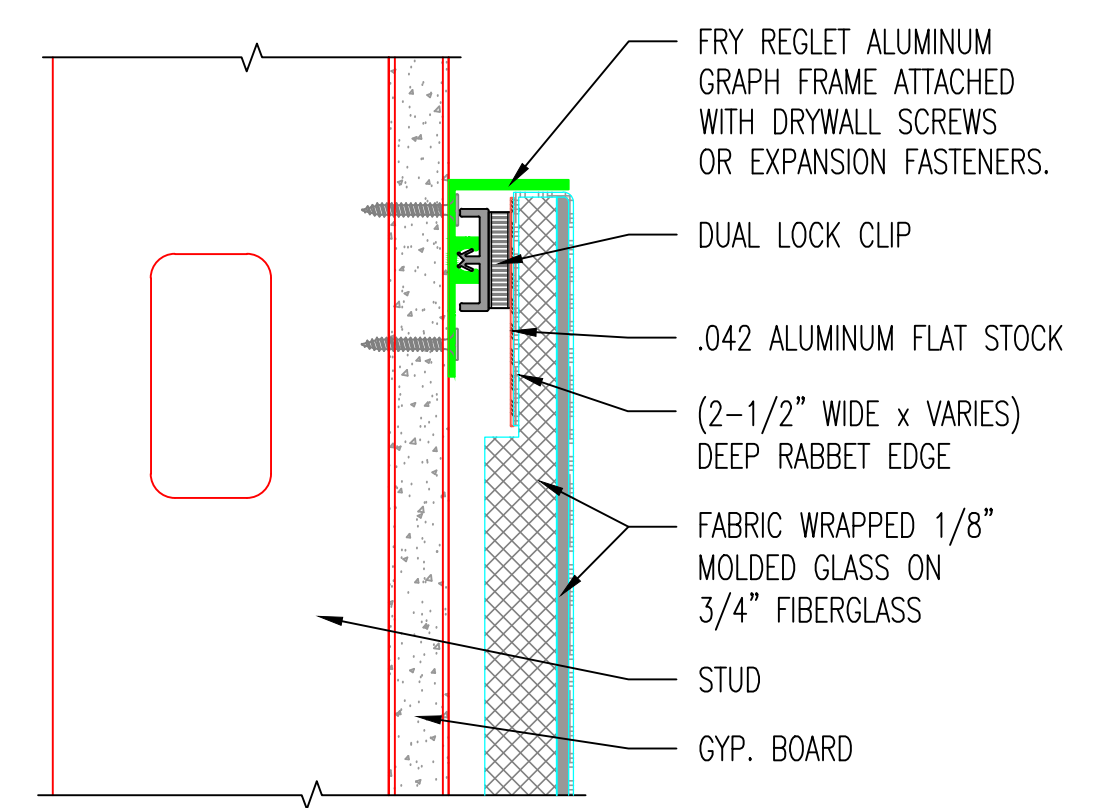
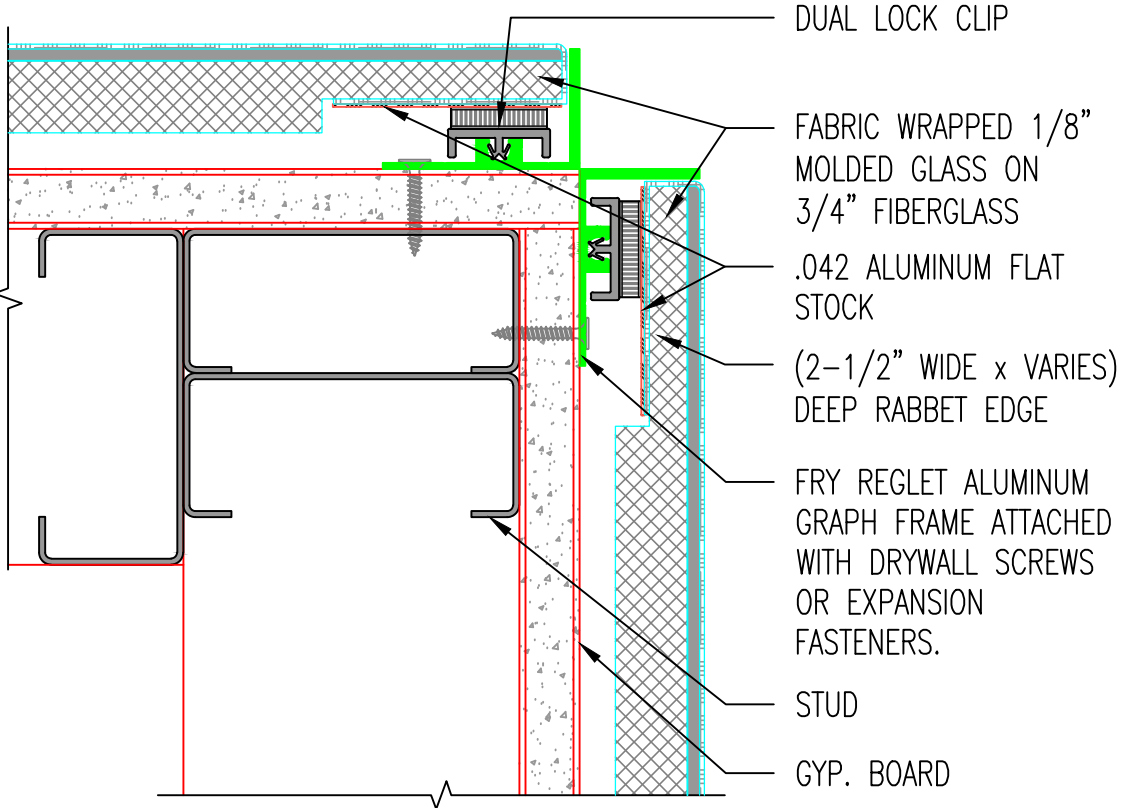
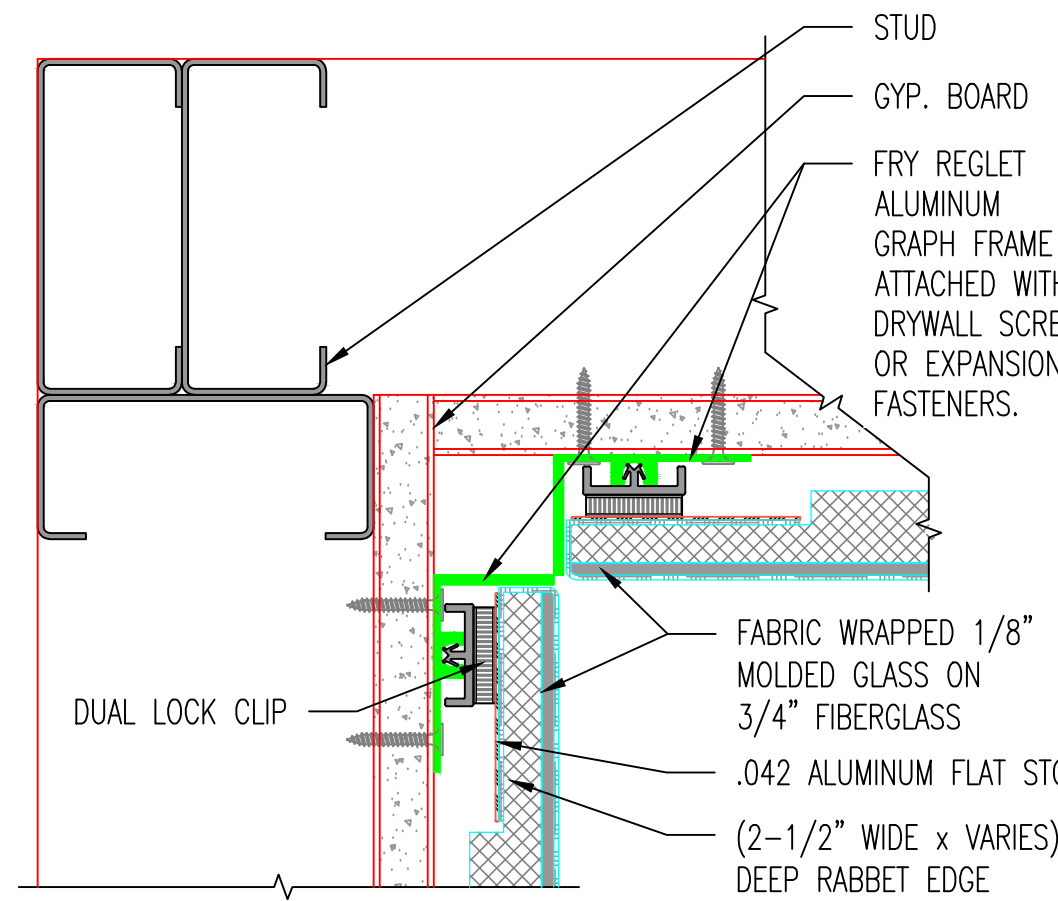
SCALE: NTS

D TERMINATION AT BASE DETAIL

SCALE: NTS

E JAMB DETAIL

SCALE: NTS



F INSIDE CORNER DETAIL

SCALE: NTS

G OUTSIDE CORNER DETAIL

SCALE: NTS

H TERMINATION DETAIL

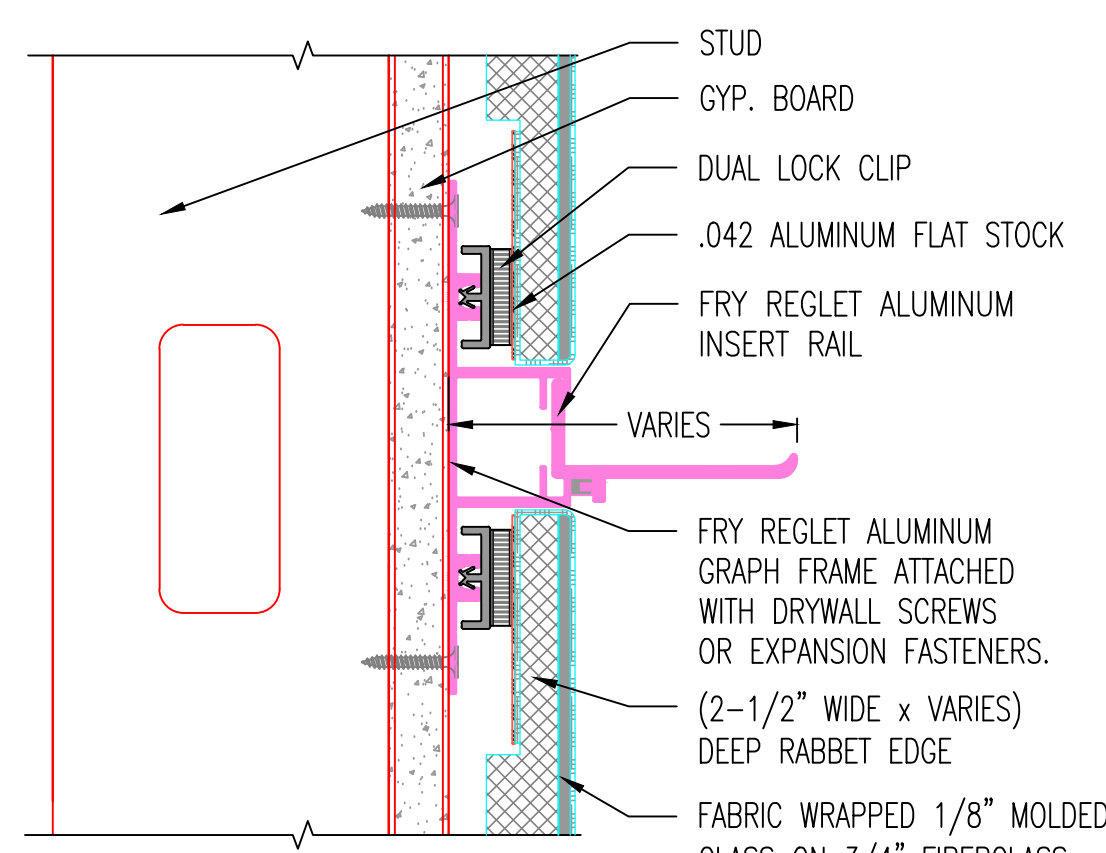
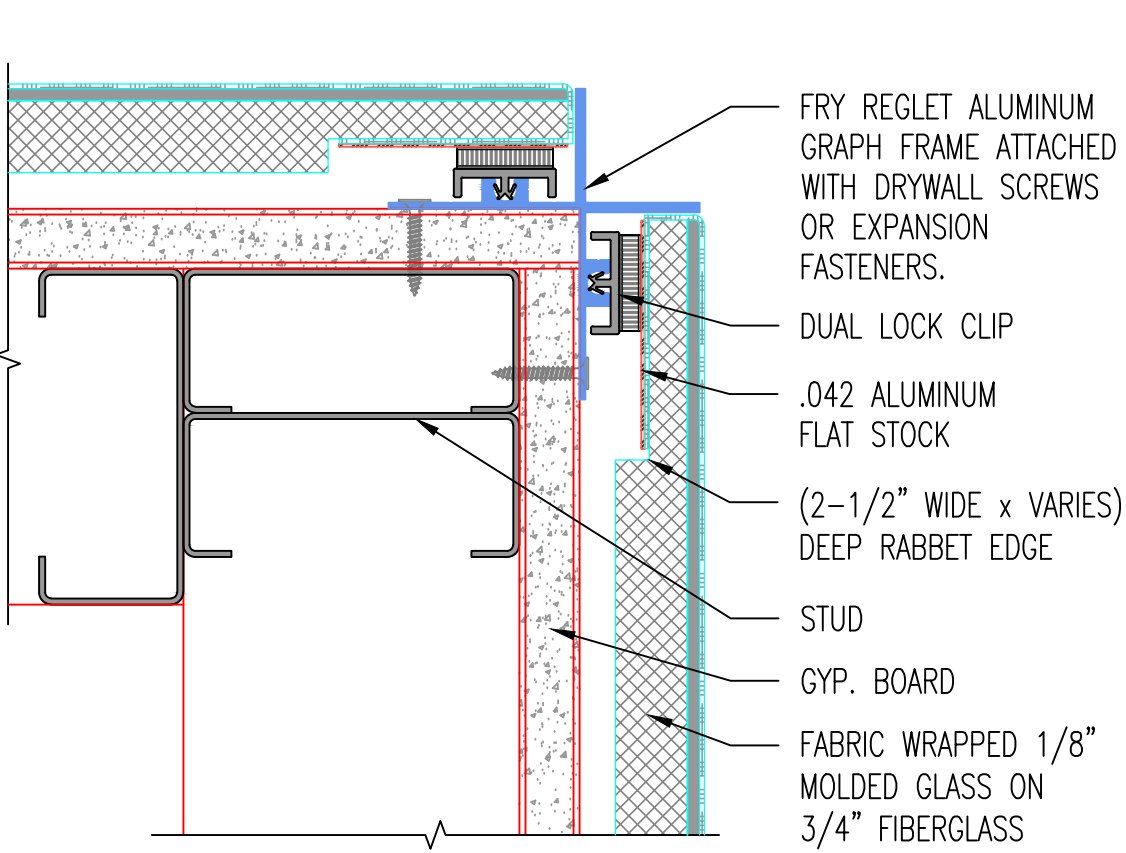
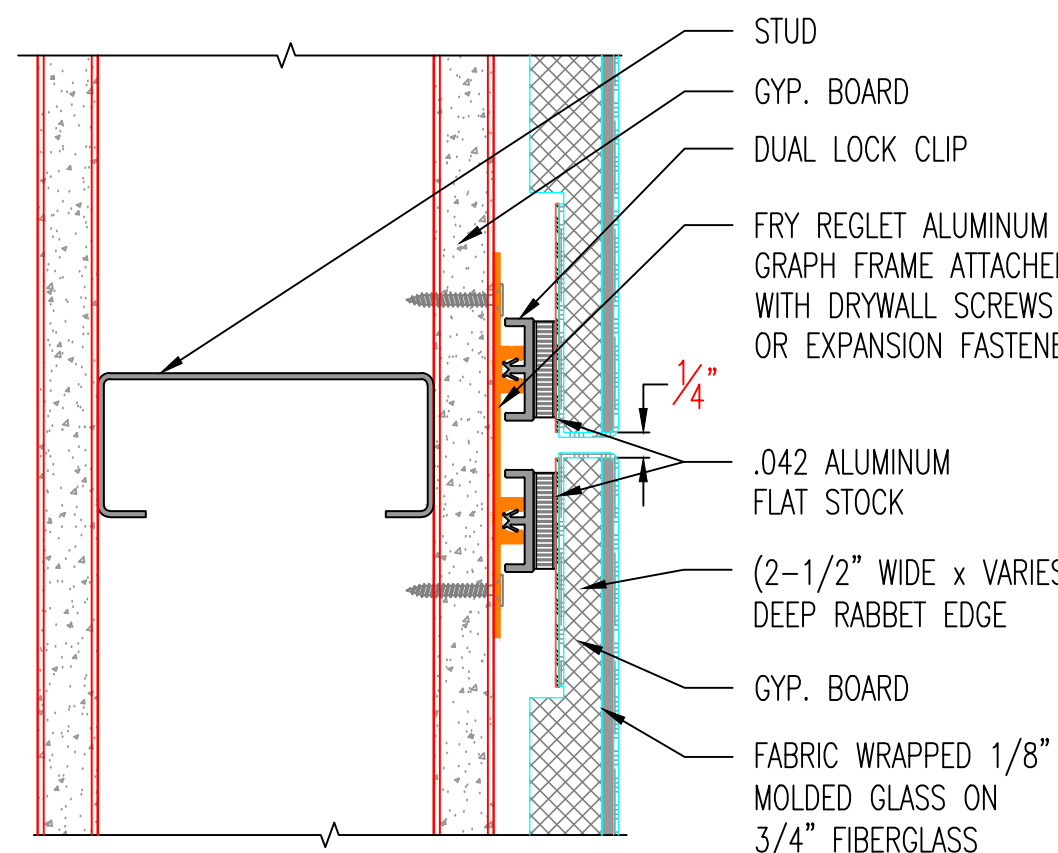
SCALE: NTS

J INSIDE CORNER TERMINATION DETAIL

SCALE: NTS

K CORNER TERMINATION DETAIL

SCALE: NTS



L BUTT REVEAL DETAIL

SCALE: NTS

M X CORNER DETAIL

SCALE: NTS

N INTEGRATED FUNCTIONAL REVEAL (IFR) DETAIL

SCALE: NTS

STANDARD DETAILS
1-1/4" SINGLE FIN GRAPH FRAME
7/8" FABRIC WRAPPED FIBERGLASS PANEL (RABBETED)
MODIFIED CLIP

ALPHARETTA, GA
SANTA FE SPRINGS, CA
WWW.FRYREGLET.COM

FRY REGLET
ARCHITECTURAL METALS

graph

Rev	Date	Comments
JOB NO#	STANDARD DETAILS	
SHOPS BY	WRD	
CHK'D BY	-	
MFG. BY	-	
CHK'D BY	-	
SCALE	NTS	
DATE	04/20/16	
SHEET NUMBER	DC107	

5/4/2016 11:00:05 AM, wduley

DRAWING GRAPH WALL SYSTEM WEIGHT