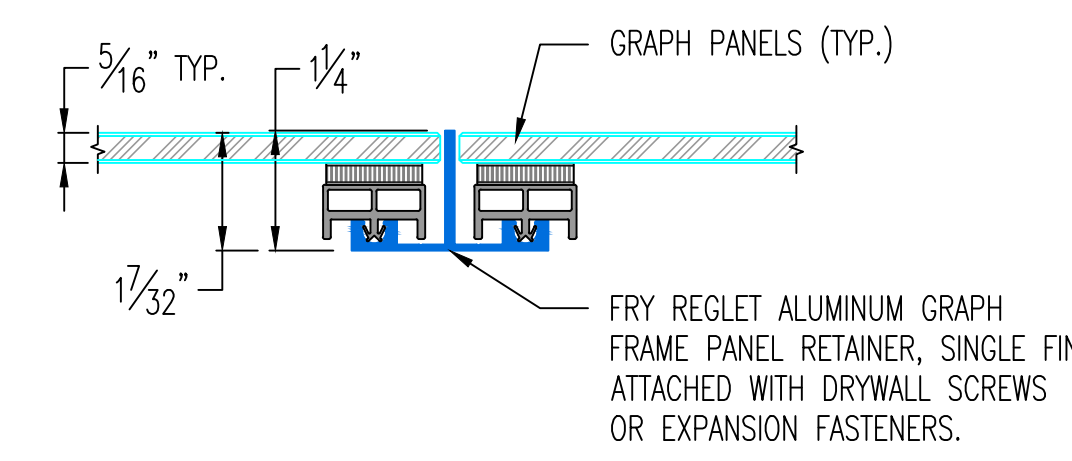
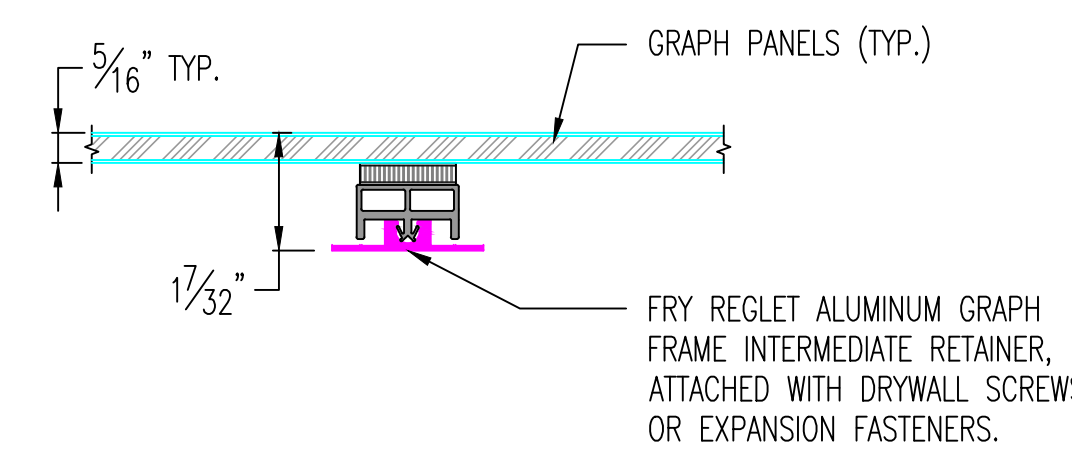


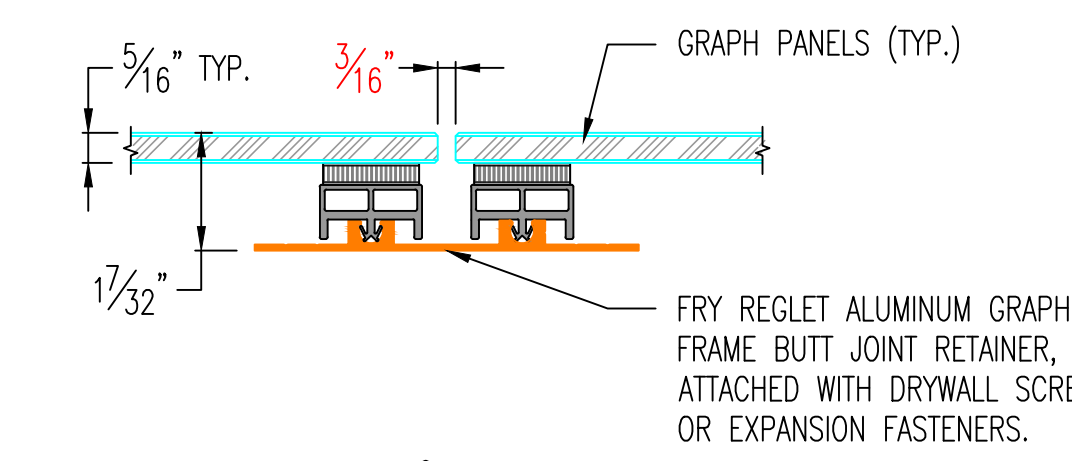
GRAPH PANELS (TYP.)
0.025\"/>



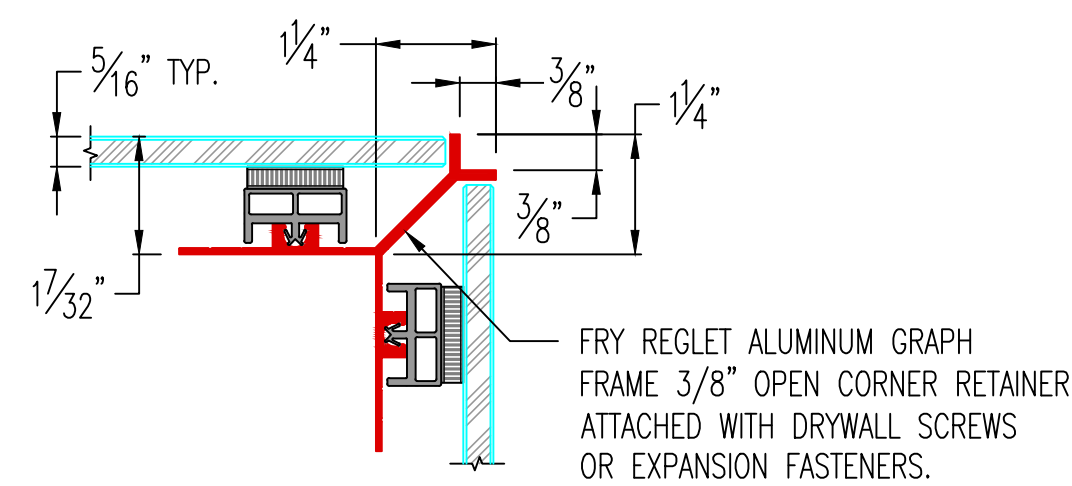
GRAPH PANELS (TYP.)
FRY REGLET ALUMINUM GRAPH FRAME PANEL RETAINER, SINGLE FIN, ATTACHED WITH DRYWALL SCREWS OR EXPANSION FASTENERS.



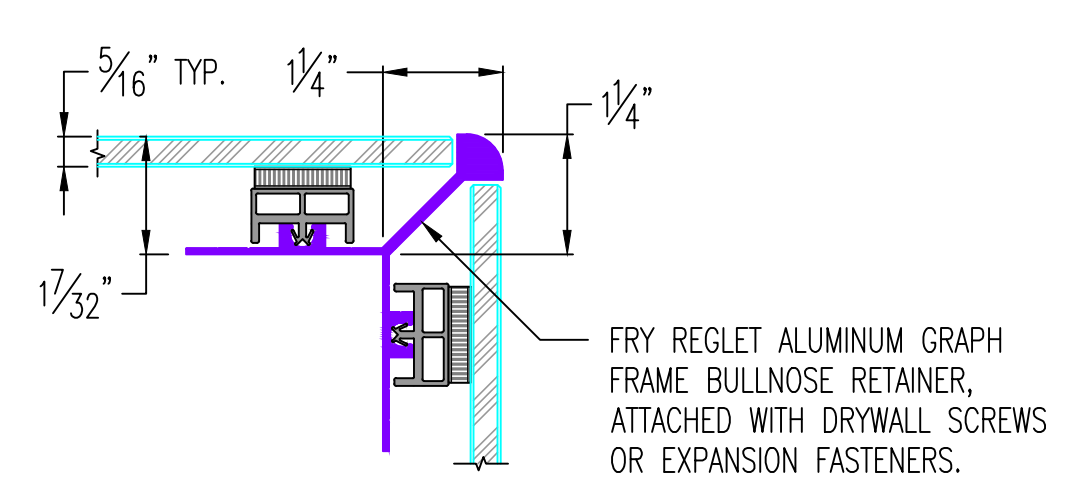
GRAPH PANELS (TYP.)
FRY REGLET ALUMINUM GRAPH FRAME INTERMEDIATE RETAINER, ATTACHED WITH DRYWALL SCREWS OR EXPANSION FASTENERS.



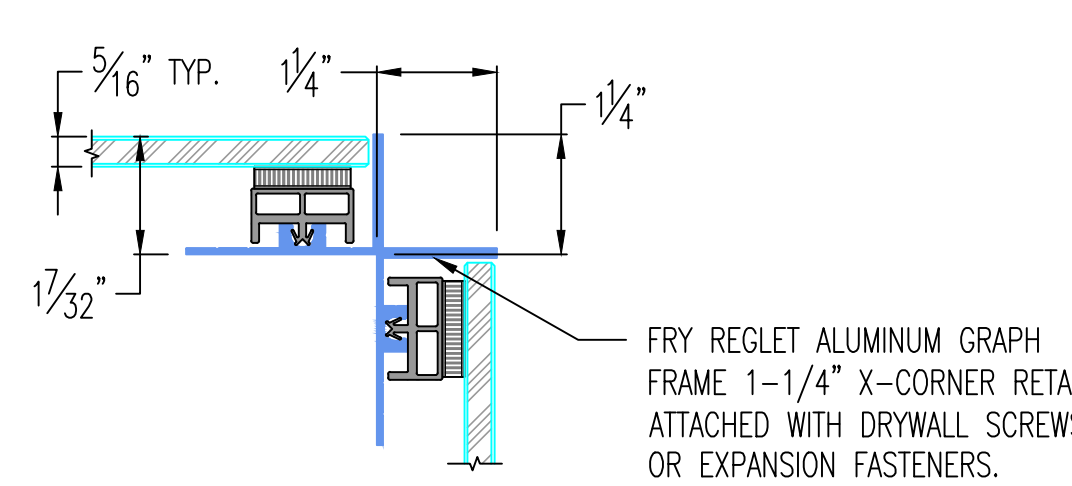
GRAPH PANELS (TYP.)
FRY REGLET ALUMINUM GRAPH FRAME BUTT JOINT RETAINER, ATTACHED WITH DRYWALL SCREWS OR EXPANSION FASTENERS.



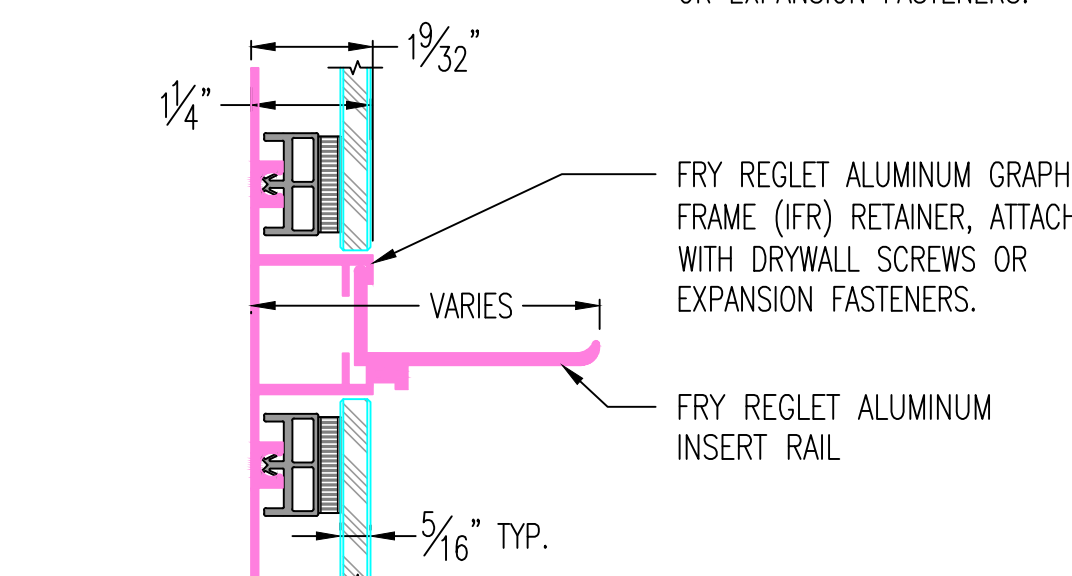
FRY REGLET ALUMINUM GRAPH FRAME 3/8\"/>



FRY REGLET ALUMINUM GRAPH FRAME BULLNOSE RETAINER, ATTACHED WITH DRYWALL SCREWS OR EXPANSION FASTENERS.



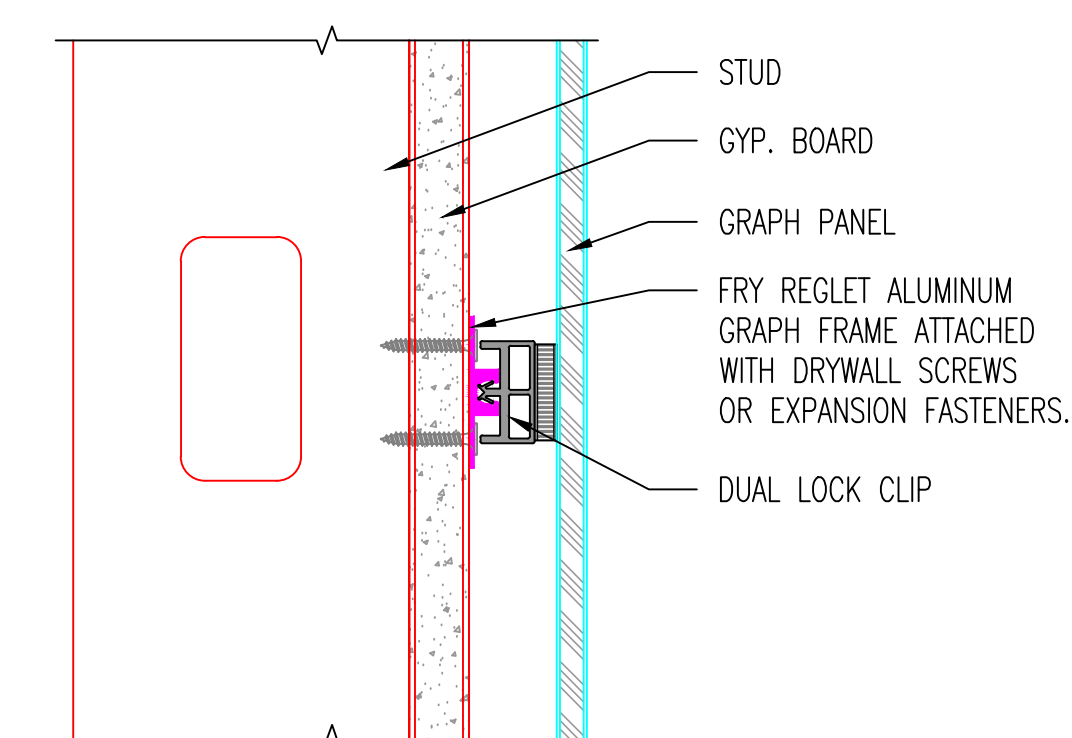
FRY REGLET ALUMINUM GRAPH FRAME 1-1/4\"/>



FRY REGLET ALUMINUM GRAPH FRAME (IFR) RETAINER, ATTACHED WITH DRYWALL SCREWS OR EXPANSION FASTENERS.
FRY REGLET ALUMINUM INSERT RAIL

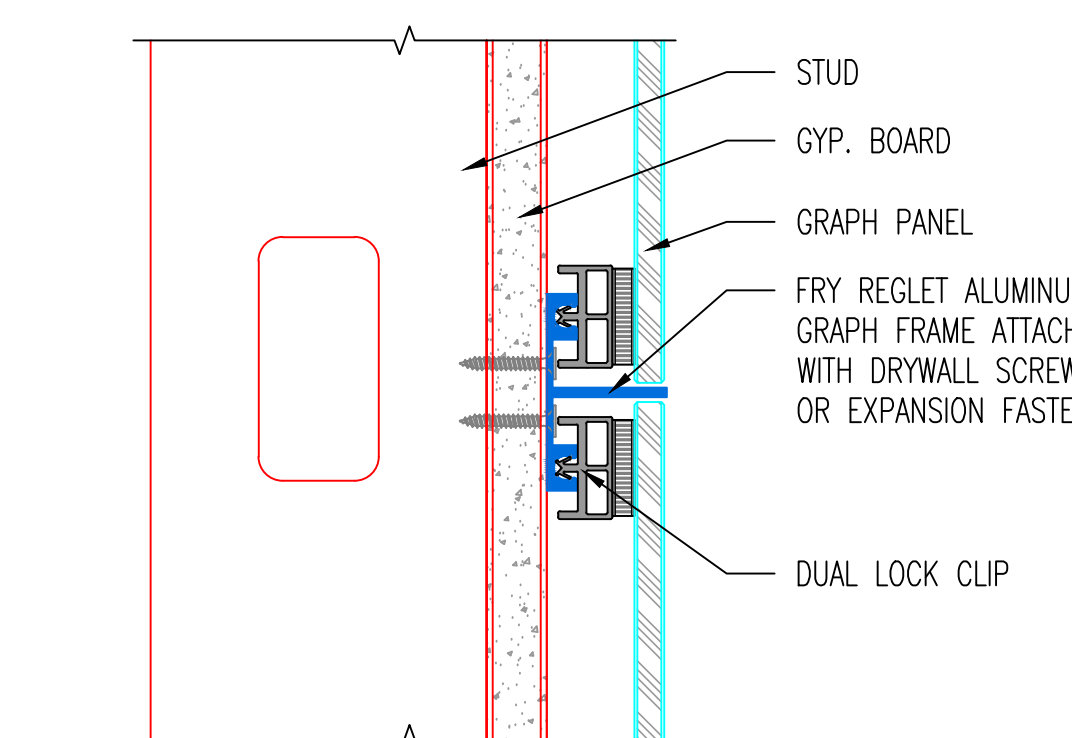
PROFILES

SCALE: NTS



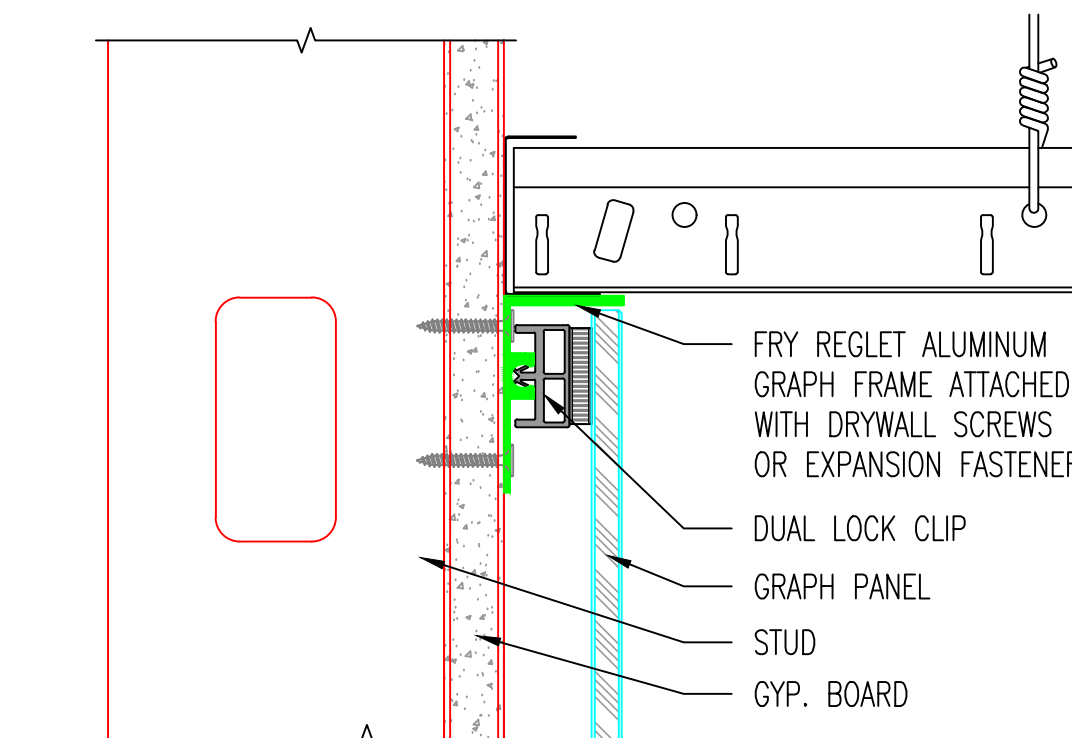
STUD
GYP. BOARD
GRAPH PANEL
FRY REGLET ALUMINUM GRAPH FRAME ATTACHED WITH DRYWALL SCREWS OR EXPANSION FASTENERS.
DUAL LOCK CLIP

A INTERMEDIATE RETAINER DETAIL-5/16\"/>



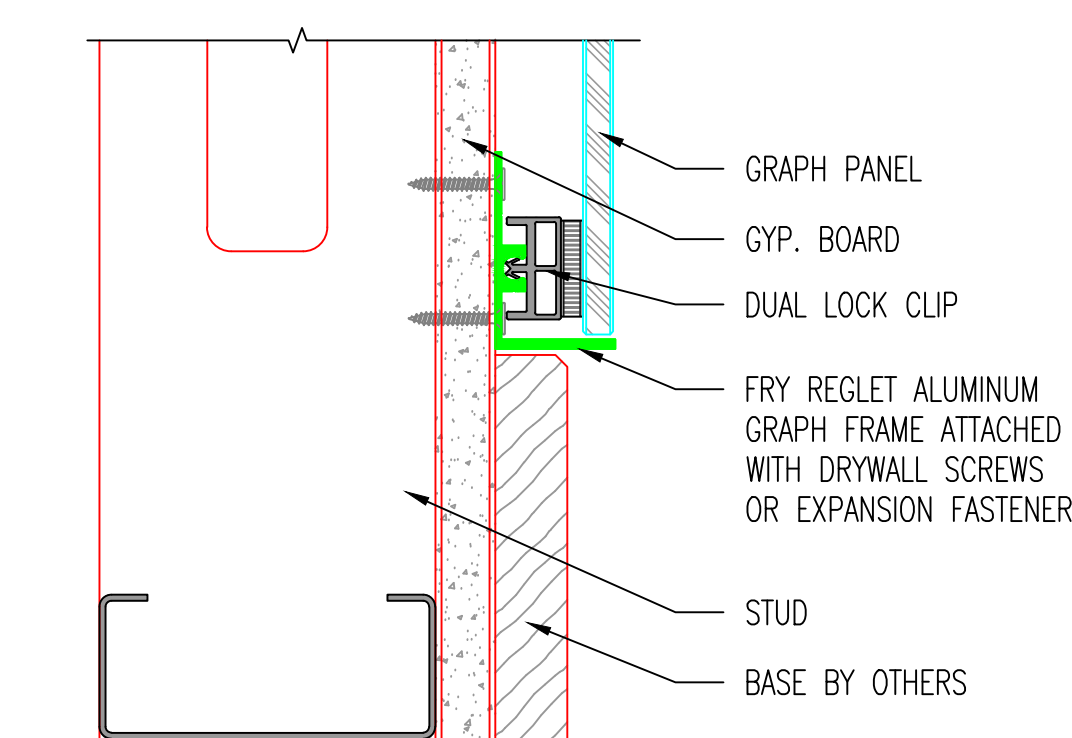
STUD
GYP. BOARD
GRAPH PANEL
FRY REGLET ALUMINUM GRAPH FRAME ATTACHED WITH DRYWALL SCREWS OR EXPANSION FASTENERS.
DUAL LOCK CLIP

B PANEL RETAINER DETAIL-5/16\"/>



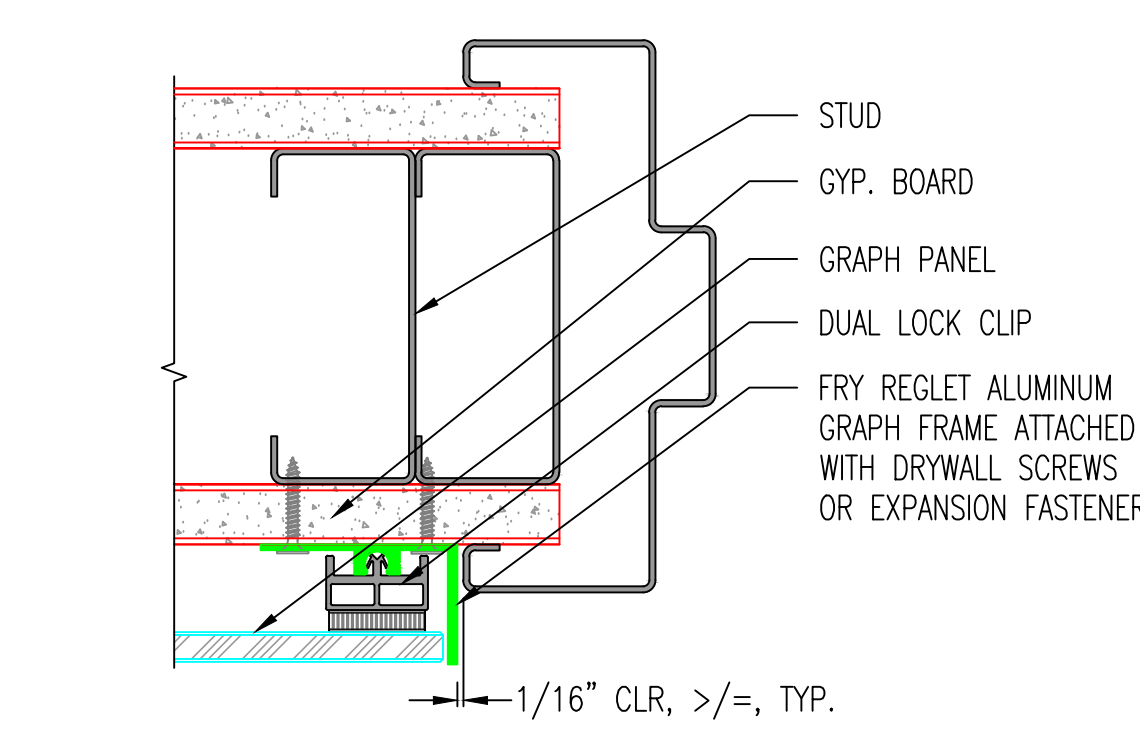
FRY REGLET ALUMINUM GRAPH FRAME ATTACHED WITH DRYWALL SCREWS OR EXPANSION FASTENERS.
DUAL LOCK CLIP
GRAPH PANEL
STUD
GYP. BOARD

C CEILING TERMINATION DETAIL-5/16\"/>



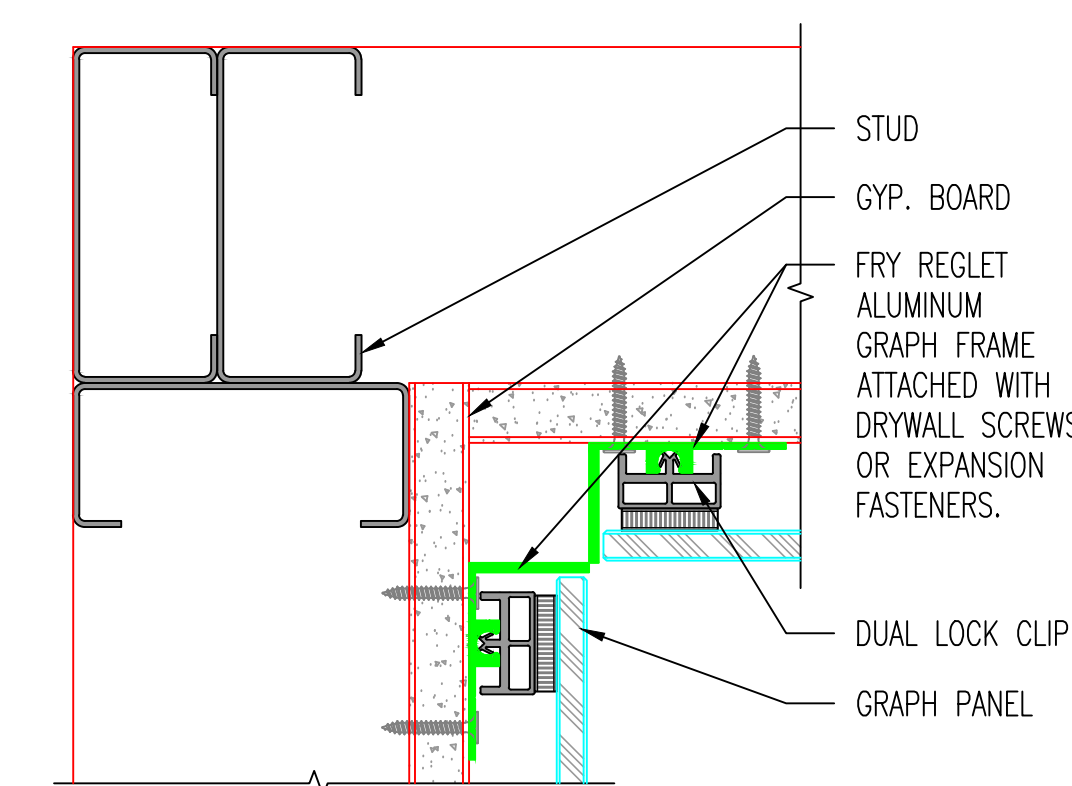
GRAPH PANEL
GYP. BOARD
DUAL LOCK CLIP
FRY REGLET ALUMINUM GRAPH FRAME ATTACHED WITH DRYWALL SCREWS OR EXPANSION FASTENERS.
STUD
BASE BY OTHERS

D TERMINATION AT BASE DETAIL-5/16\"/>



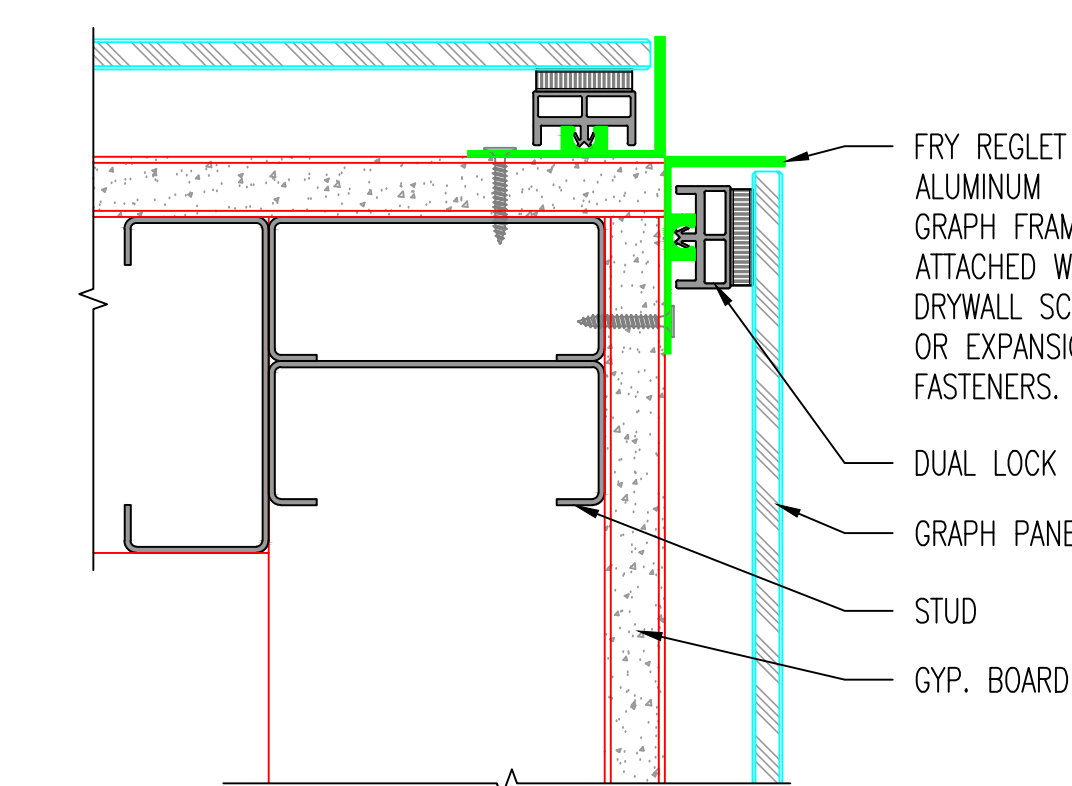
STUD
GYP. BOARD
GRAPH PANEL
DUAL LOCK CLIP
FRY REGLET ALUMINUM GRAPH FRAME ATTACHED WITH DRYWALL SCREWS OR EXPANSION FASTENERS.
-1/16\"/>

E JAMB DETAIL-5/16\"/>



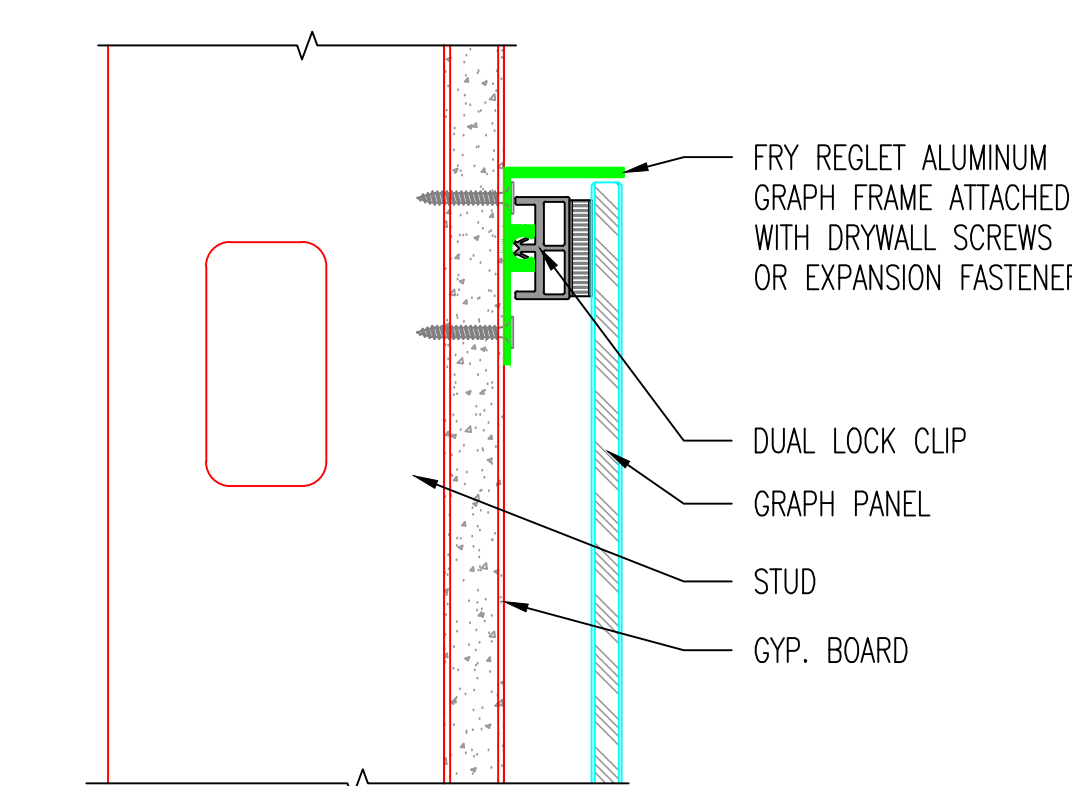
STUD
GYP. BOARD
FRY REGLET ALUMINUM GRAPH FRAME ATTACHED WITH DRYWALL SCREWS OR EXPANSION FASTENERS.
DUAL LOCK CLIP
GRAPH PANEL

F INSIDE CORNER DETAIL-5/16\"/>



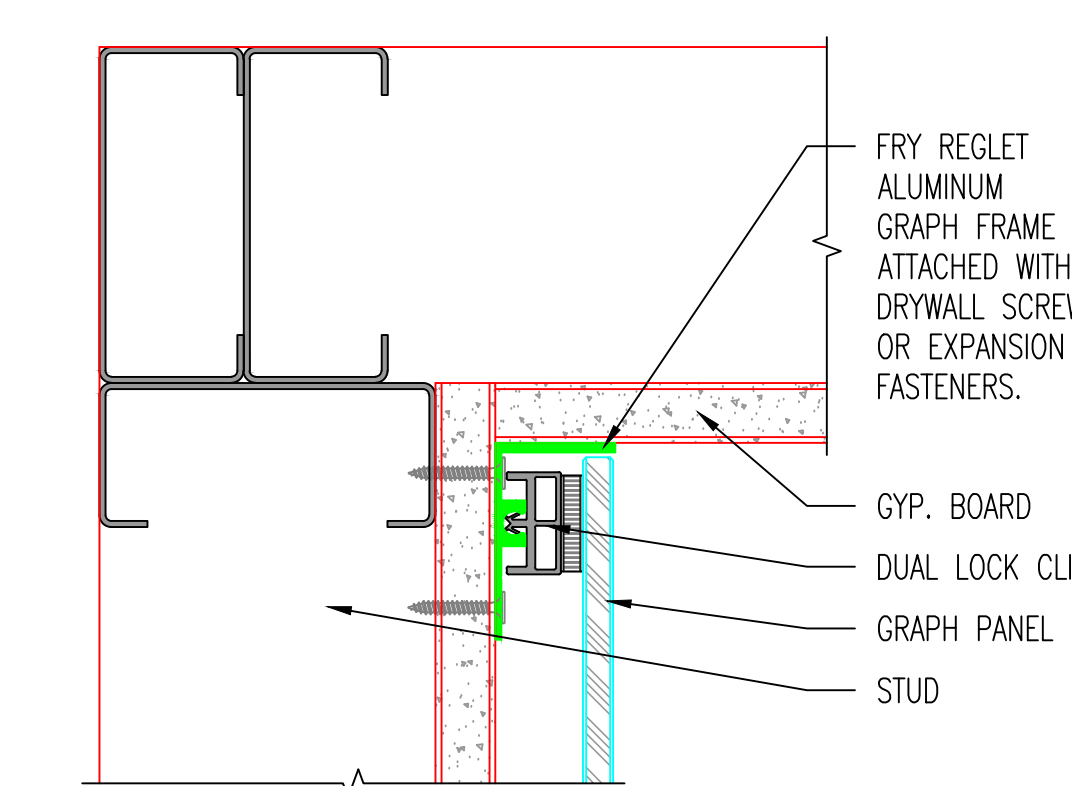
FRY REGLET ALUMINUM GRAPH FRAME ATTACHED WITH DRYWALL SCREWS OR EXPANSION FASTENERS.
DUAL LOCK CLIP
GRAPH PANEL
STUD
GYP. BOARD

G OUTSIDE CORNER DETAIL-5/16\"/>



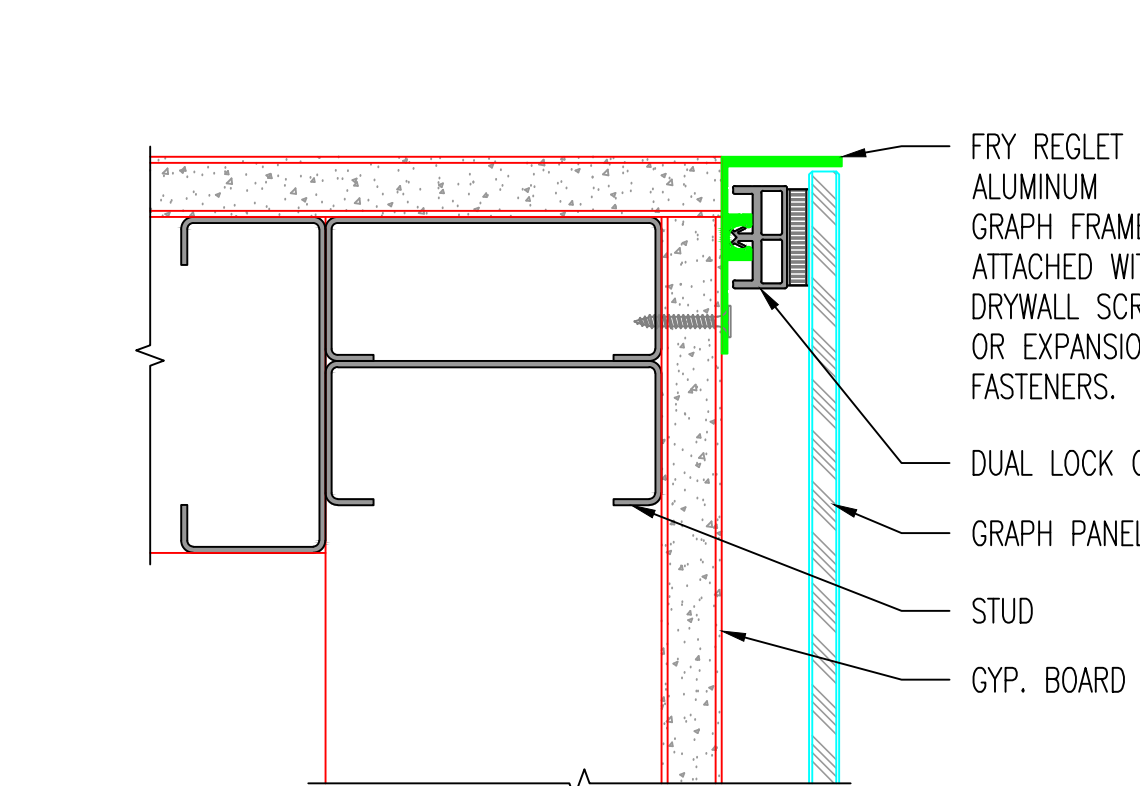
FRY REGLET ALUMINUM GRAPH FRAME ATTACHED WITH DRYWALL SCREWS OR EXPANSION FASTENERS.
DUAL LOCK CLIP
GRAPH PANEL
STUD
GYP. BOARD

H TERMINATION DETAIL-5/16\"/>



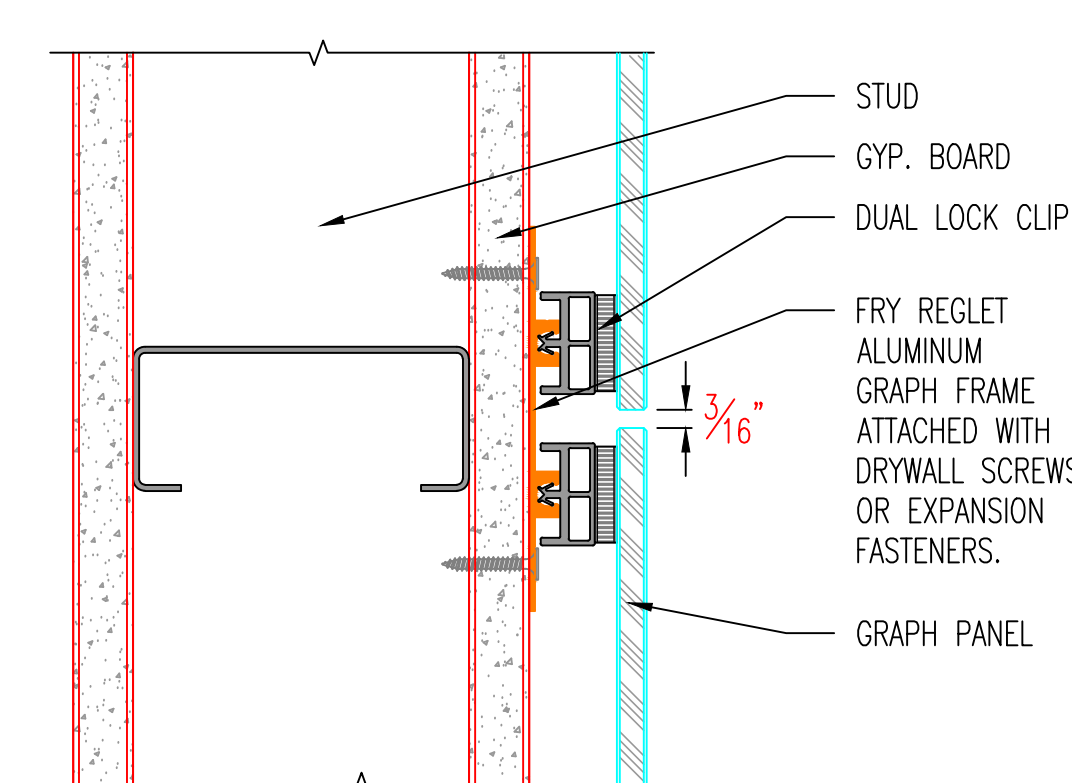
FRY REGLET ALUMINUM GRAPH FRAME ATTACHED WITH DRYWALL SCREWS OR EXPANSION FASTENERS.
GYP. BOARD
DUAL LOCK CLIP
GRAPH PANEL
STUD

J INSIDE CORNER TERMINATION DETAIL-5/16\"/>



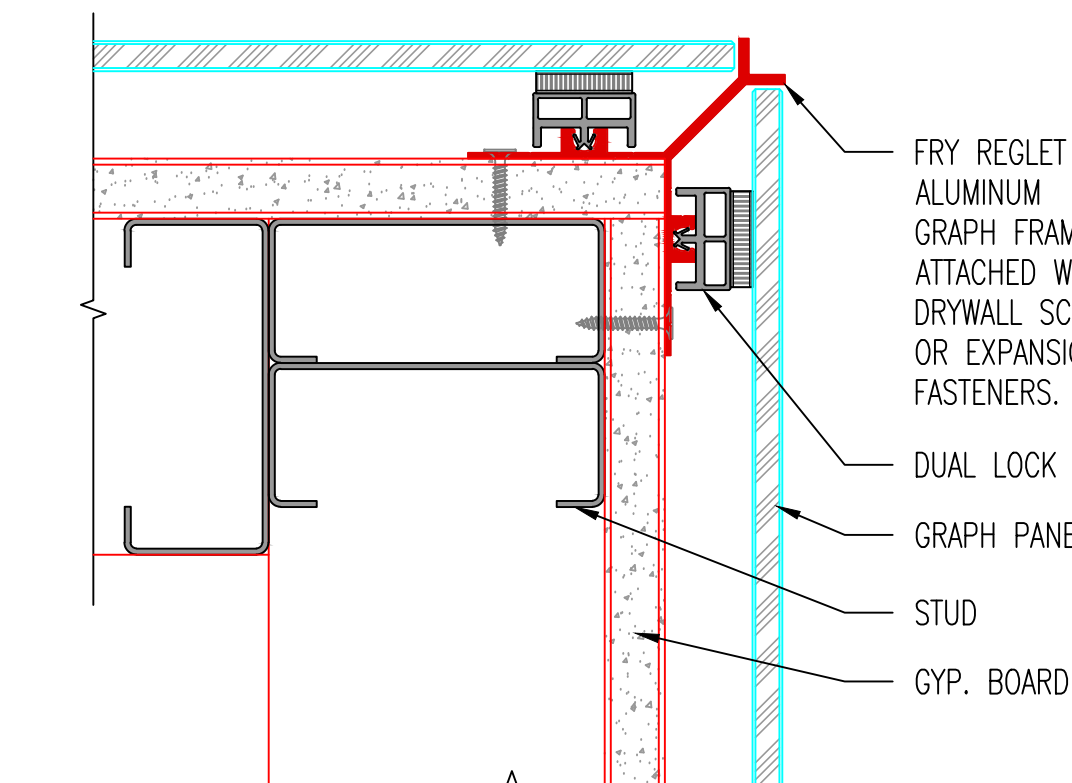
FRY REGLET ALUMINUM GRAPH FRAME ATTACHED WITH DRYWALL SCREWS OR EXPANSION FASTENERS.
DUAL LOCK CLIP
GRAPH PANEL
STUD
GYP. BOARD

K CORNER TERMINATION DETAIL-5/16\"/>



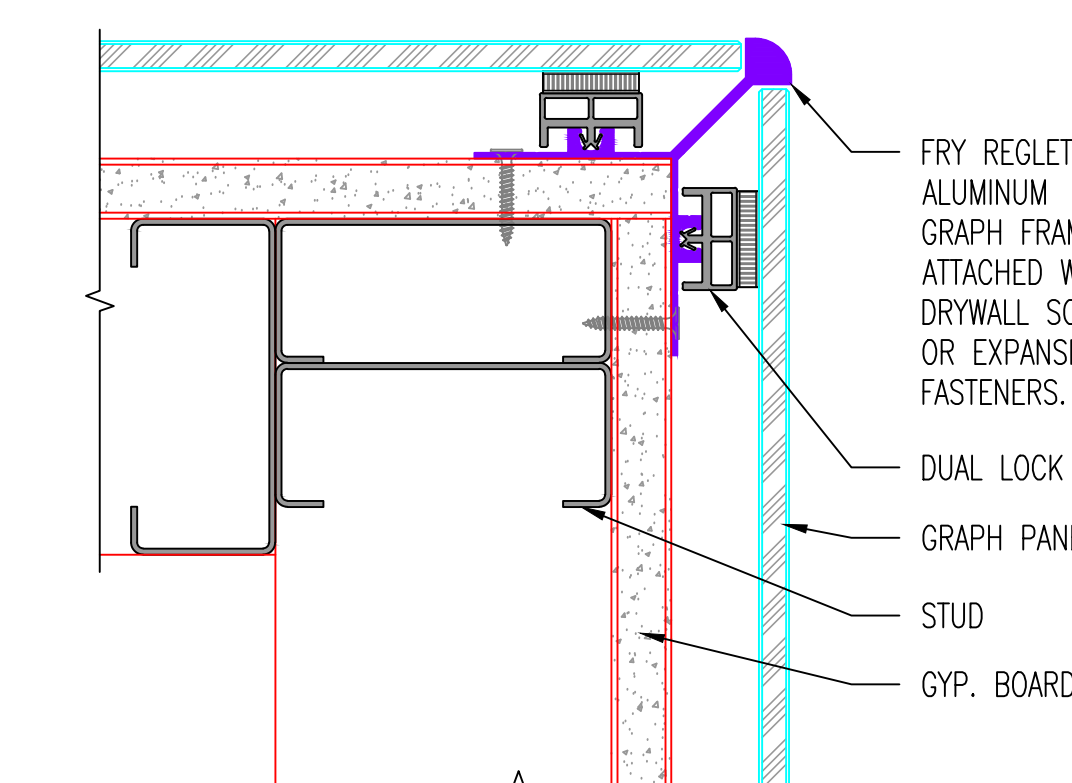
STUD
GYP. BOARD
DUAL LOCK CLIP
FRY REGLET ALUMINUM GRAPH FRAME ATTACHED WITH DRYWALL SCREWS OR EXPANSION FASTENERS.
GRAPH PANEL

L BUTT REVEAL DETAIL-5/16\"/>



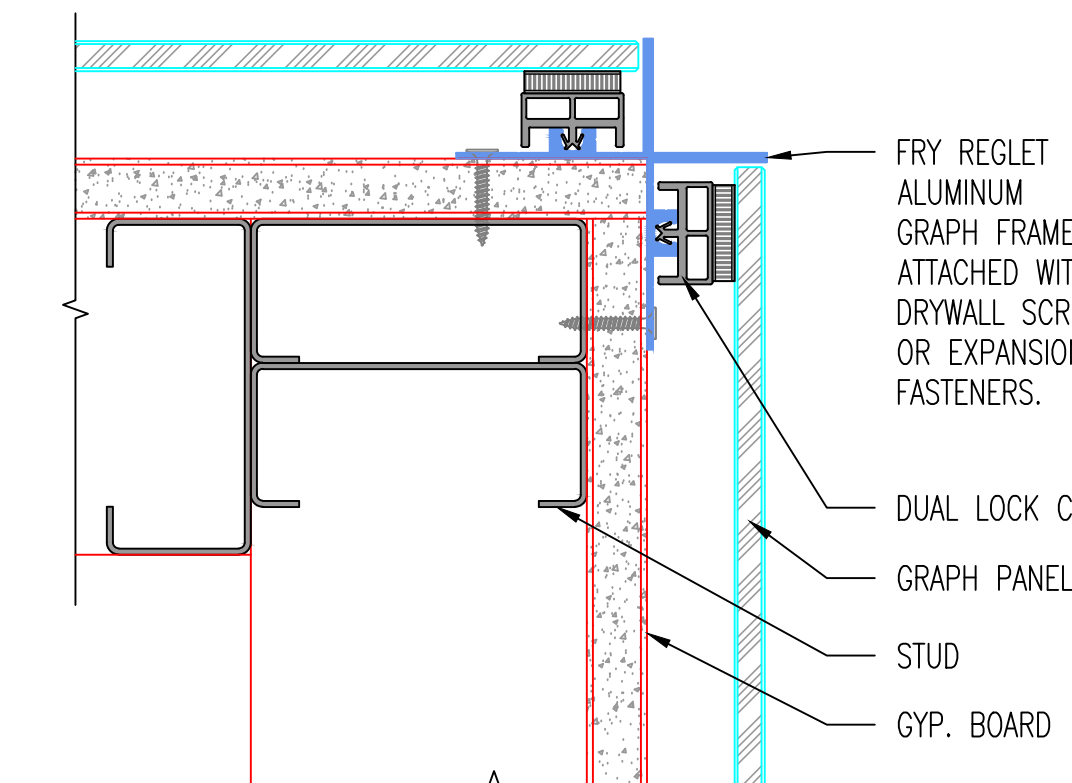
FRY REGLET ALUMINUM GRAPH FRAME ATTACHED WITH DRYWALL SCREWS OR EXPANSION FASTENERS.
DUAL LOCK CLIP
GRAPH PANEL
STUD
GYP. BOARD

M OPEN CORNER DETAIL-5/16\"/>



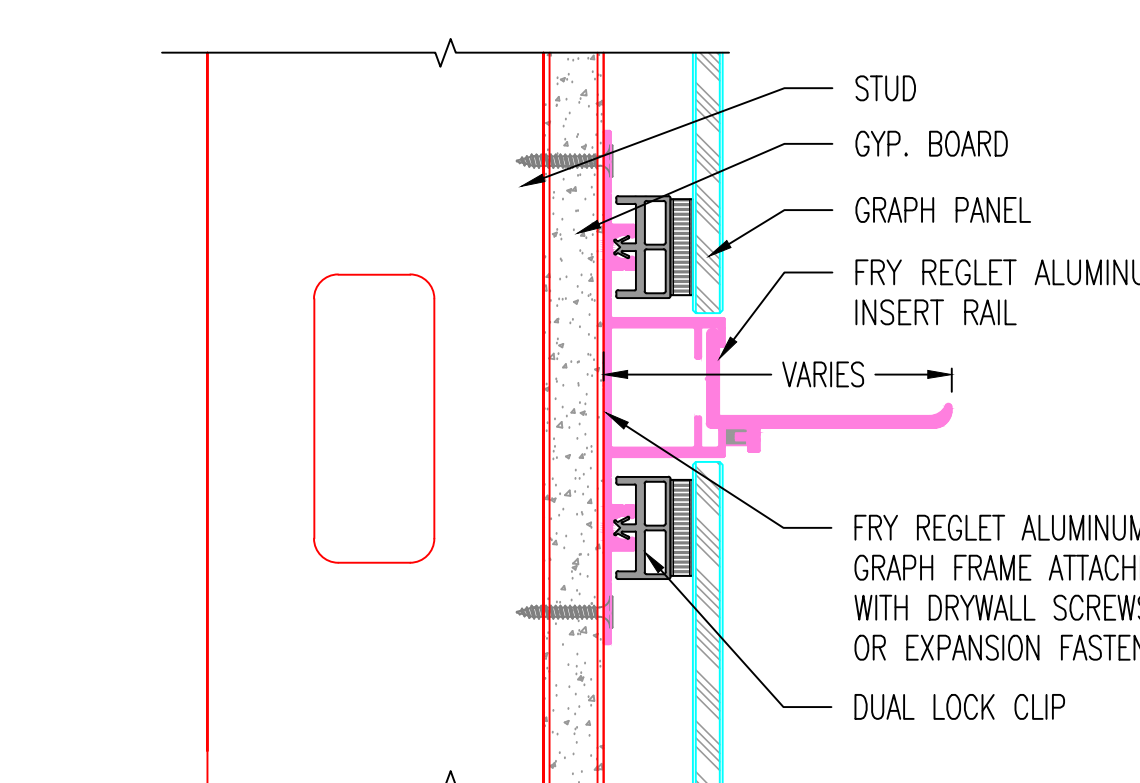
FRY REGLET ALUMINUM GRAPH FRAME ATTACHED WITH DRYWALL SCREWS OR EXPANSION FASTENERS.
DUAL LOCK CLIP
GRAPH PANEL
STUD
GYP. BOARD

N BULLNOSE CORNER DETAIL-5/16\"/>



FRY REGLET ALUMINUM GRAPH FRAME ATTACHED WITH DRYWALL SCREWS OR EXPANSION FASTENERS.
DUAL LOCK CLIP
GRAPH PANEL
STUD
GYP. BOARD

O X CORNER DETAIL-5/16\"/>



STUD
GYP. BOARD
GRAPH PANEL
FRY REGLET ALUMINUM INSERT RAIL
VARIES
FRY REGLET ALUMINUM GRAPH FRAME ATTACHED WITH DRYWALL SCREWS OR EXPANSION FASTENERS.
DUAL LOCK CLIP

P INTEGRATED FUNCTIONAL REVEAL (IFR) DETAIL

STANDARD DETAILS
1-1/4\"/>

ALPHARETTA, GA
SANTA FE SPRINGS, CA
WWW.FRYREGLET.COM

FRY REGLET
ARCHITECTURAL METALS

graph

Rev	Date	Comments
JOB NO#	STANDARD DETAILS	
SHOPS BY	WRD	
CHK'D BY	-	
MFG. BY	-	
CHK'D BY	-	
SCALE	NTS	
DATE	04/20/16	
SHEET NUMBER	DC101	

5/4/2016 11:08:47 AM, wduidley