



March, 2017

Minimalist Door Frame Installation Instructions Flush Frame - Exposed Hinges

Fry Reglet Minimalist Door frames are designed for use with metal studs, 1/2" drywall both sides or with 5/8" drywall both sides. 20ga studs are required for the hinge, strike and header framing of the door opening. ***Before beginning installation, verify that wall thickness does not exceed industry standard tolerance of + or - 1/16"***.

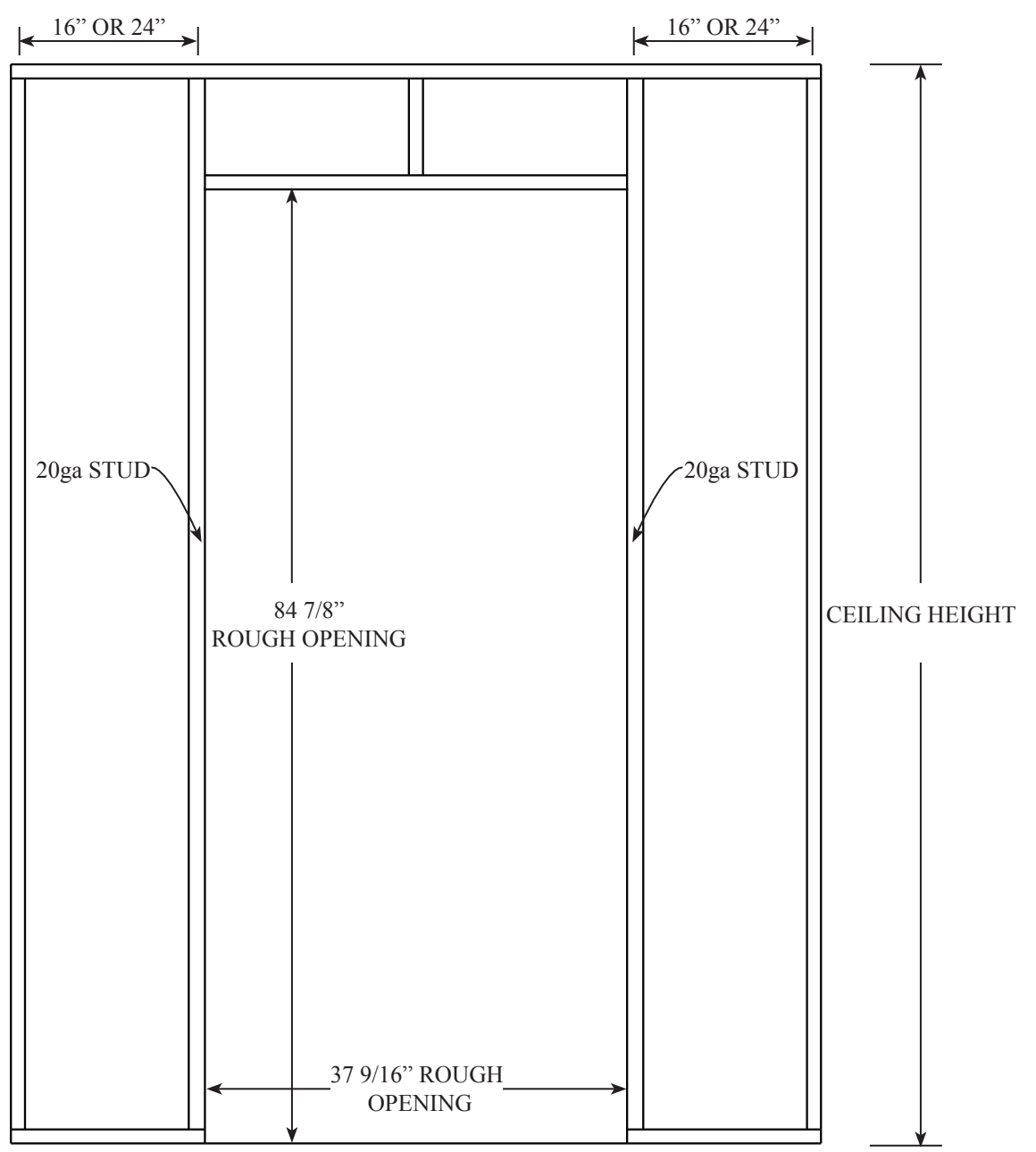
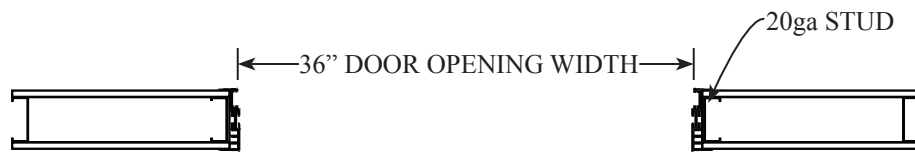
Minimalist door frames are shipped to include the following assembled components:

One hinge jamb with factory installed stop, stop gasket, spline and silencer
One strike jamb with factory installed stop, stop gasket, spline and silencer
One header with factory installed stop, stop gasket, silencer, spline and integral inserts

The following components are shipped loose:

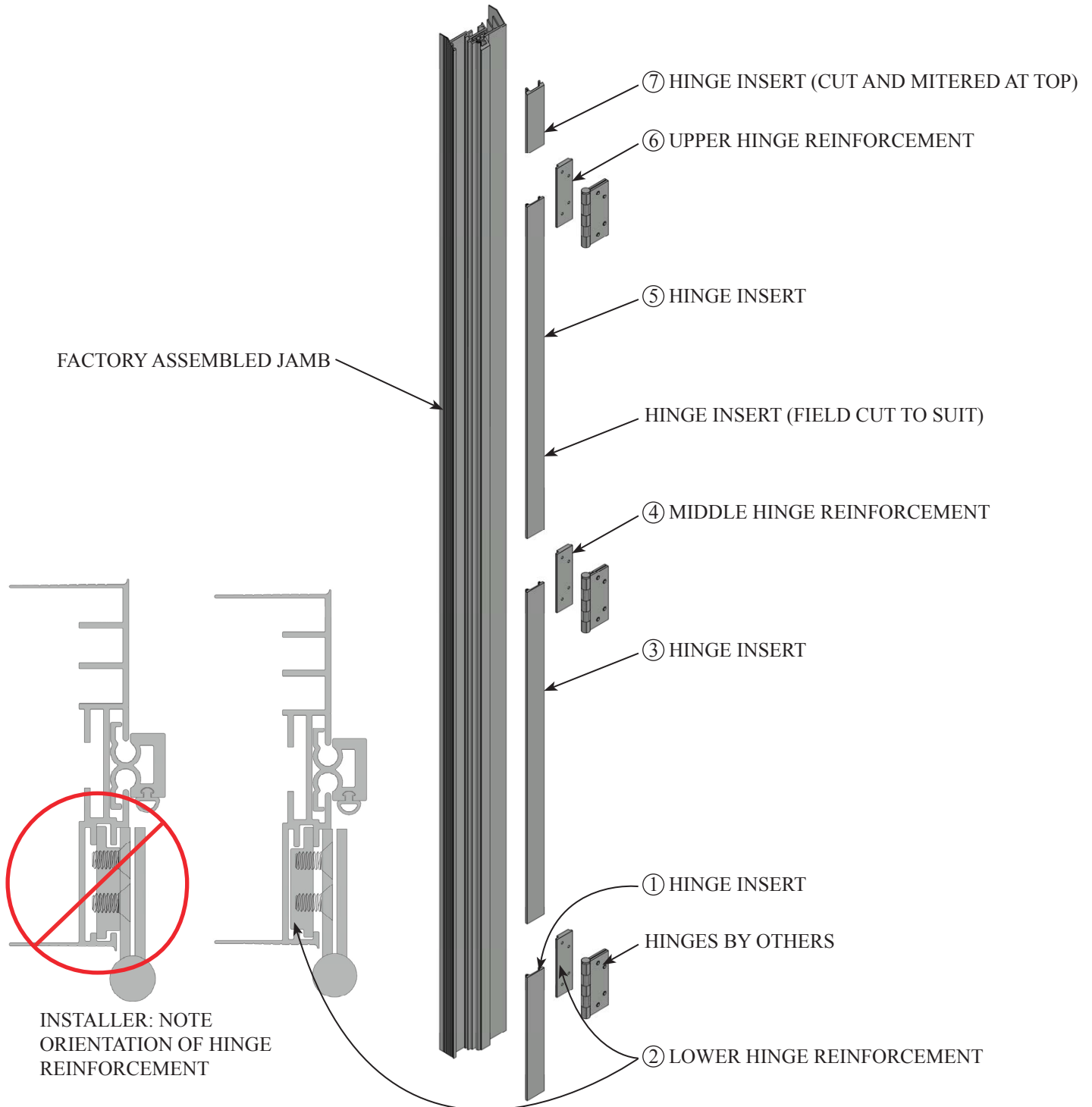
Strike insert (2 pieces with notch) for field cutting and mitering
Hinge insert (1 piece) for field cutting and mitering
Hinge reinforcement plates (1 piece per hinge) – predrilled and tapped
Strike reinforcement plate (1 piece) – predrilled and tapped
Corner angle brackets (2 pieces)

1. Verify size of door to be installed. Fry Reglet flush frames are manufactured to provide a clear opening based on the size of frame ordered. (For example, a 3' x 7' frame will have a clear opening width of 36" and a clear opening height of 84". Actual door size needs to be smaller than the clear opening dimensions). For a 3' x 7' door opening verify that rough opening width is 37 9/16" and clear opening height is 84 7/8".

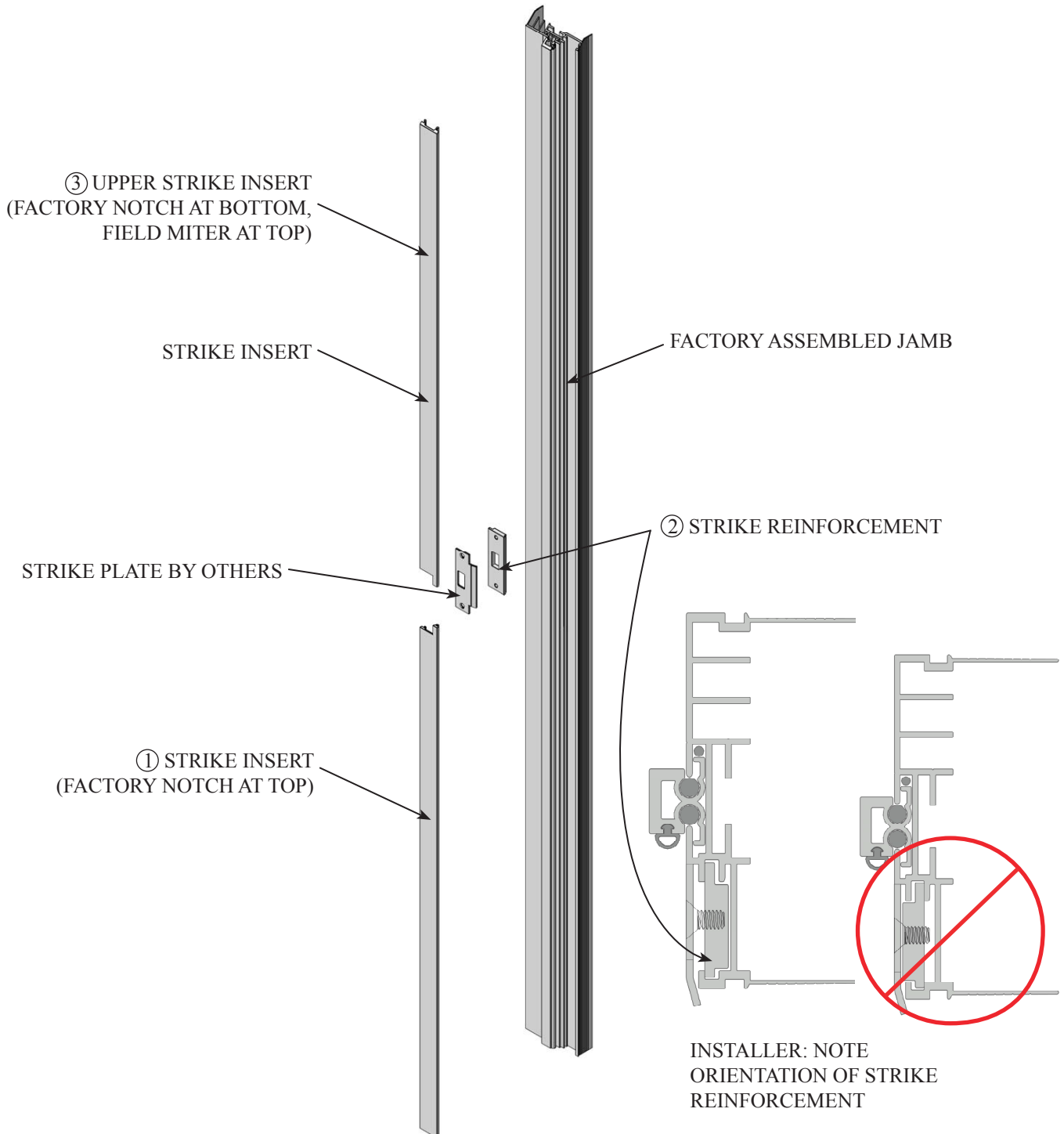


ROUGH OPENING WIDTH = DOOR OPENING WIDTH PLUS 1 9/16"
 ROUGH OPENING HEIGHT = DOOR OPENING HEIGHT PLUS 7/8"

2. Verify hinge and strike locations and hand of door to be installed.
3. Preassemble hinge jamb by measuring and cutting hinge insert to appropriate lengths. Install cut hinge insert (1) at bottom of jamb, install lower hinge reinforcement (2), install cut hinge insert (3), middle hinge reinforcement (4), install cut hinge insert (5), upper hinge reinforcement (6), finally install upper cut and mitered hinge insert (7).

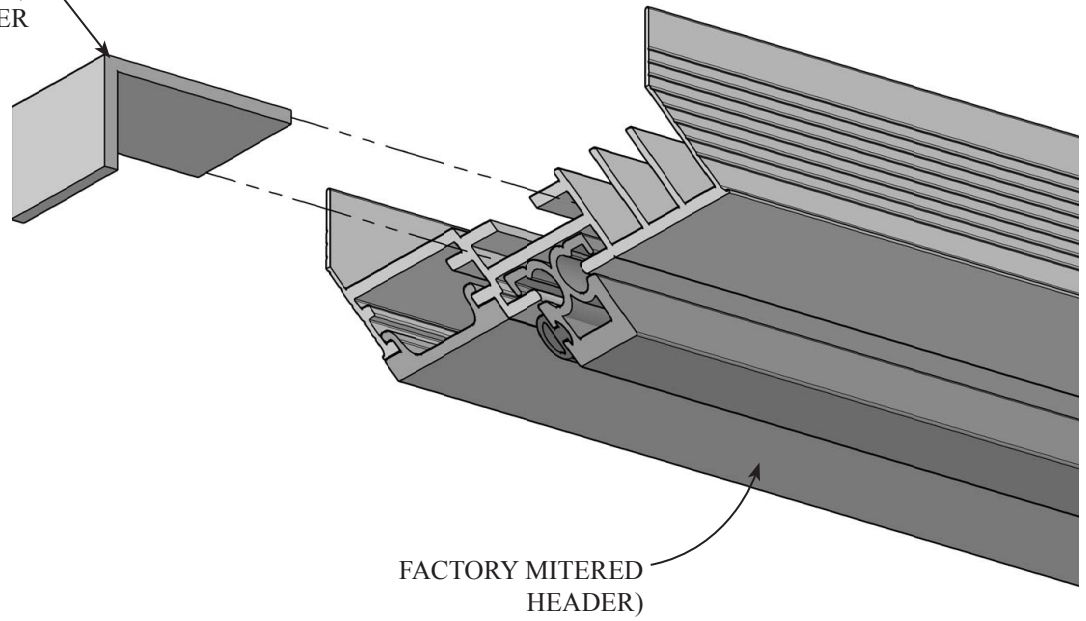


4. Preassemble strike jamb by measuring and cutting strike insert (1) flush at the bottom and install with factory notch at top, install strike reinforcement (2) measure, cut and miter the upper strike insert (3) and install with mitered end up.

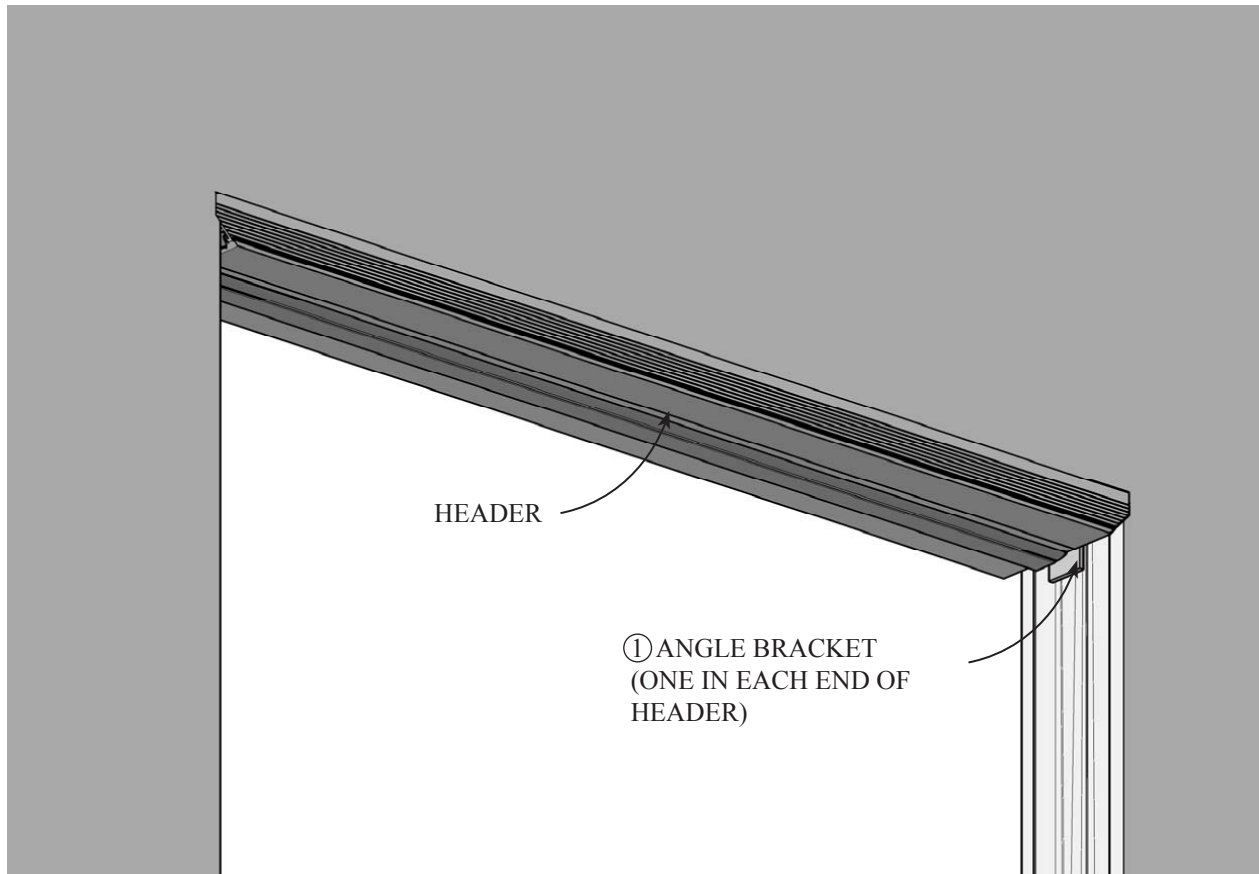


5. Install angle brackets (1) in header, make sure to engage bracket in correct slot.

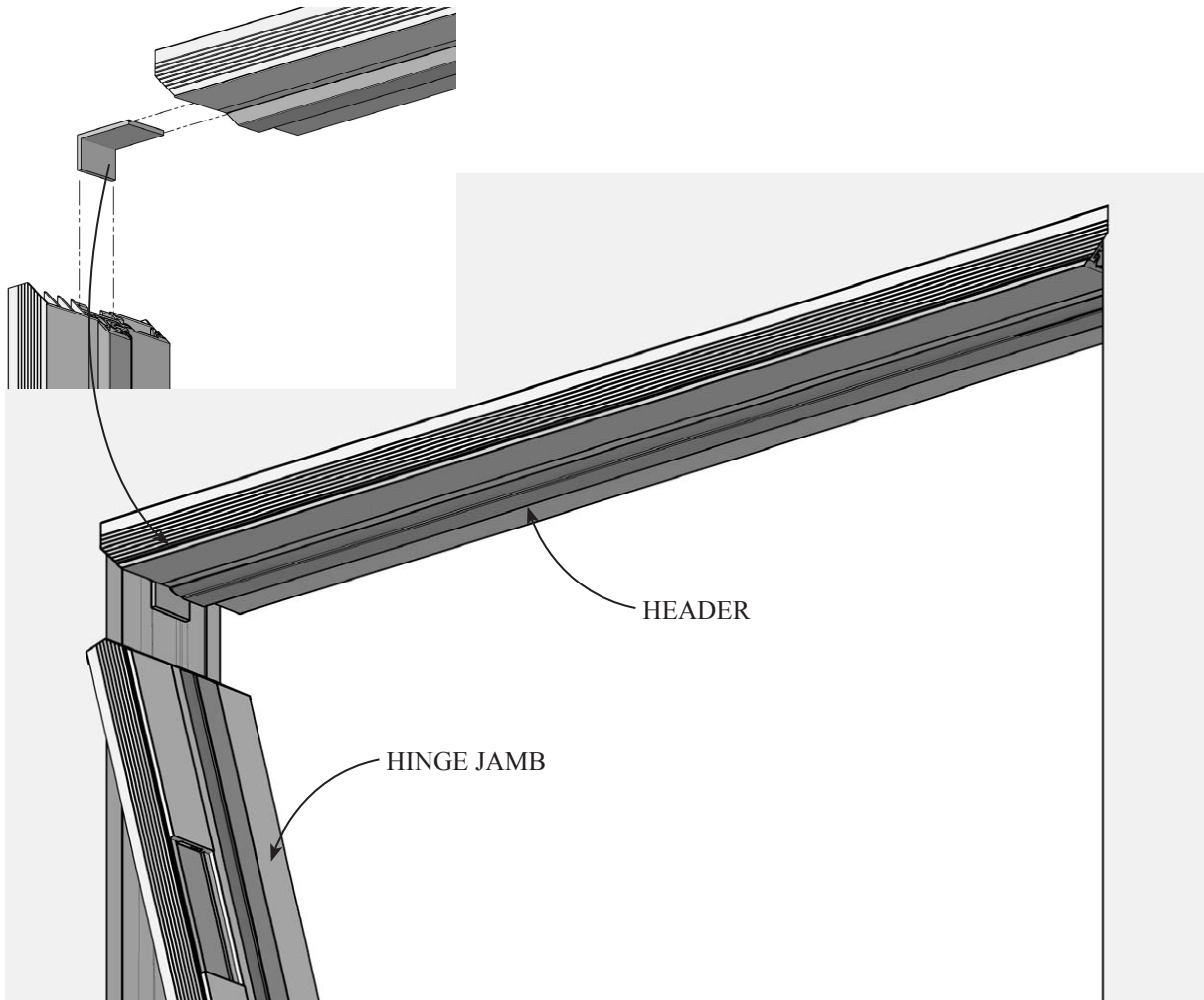
ANGLE BRACKET
(ENGAGE IN LOWER SLOT)
1 3/4" FLANGE INTO HEADER



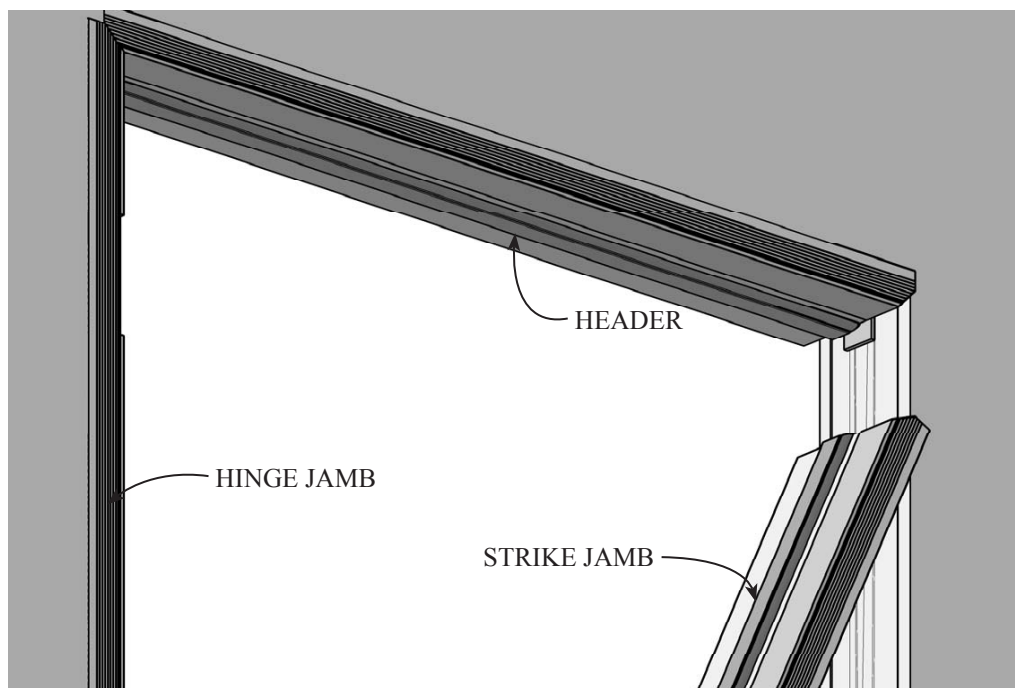
Slip header over header stud – do not fasten.



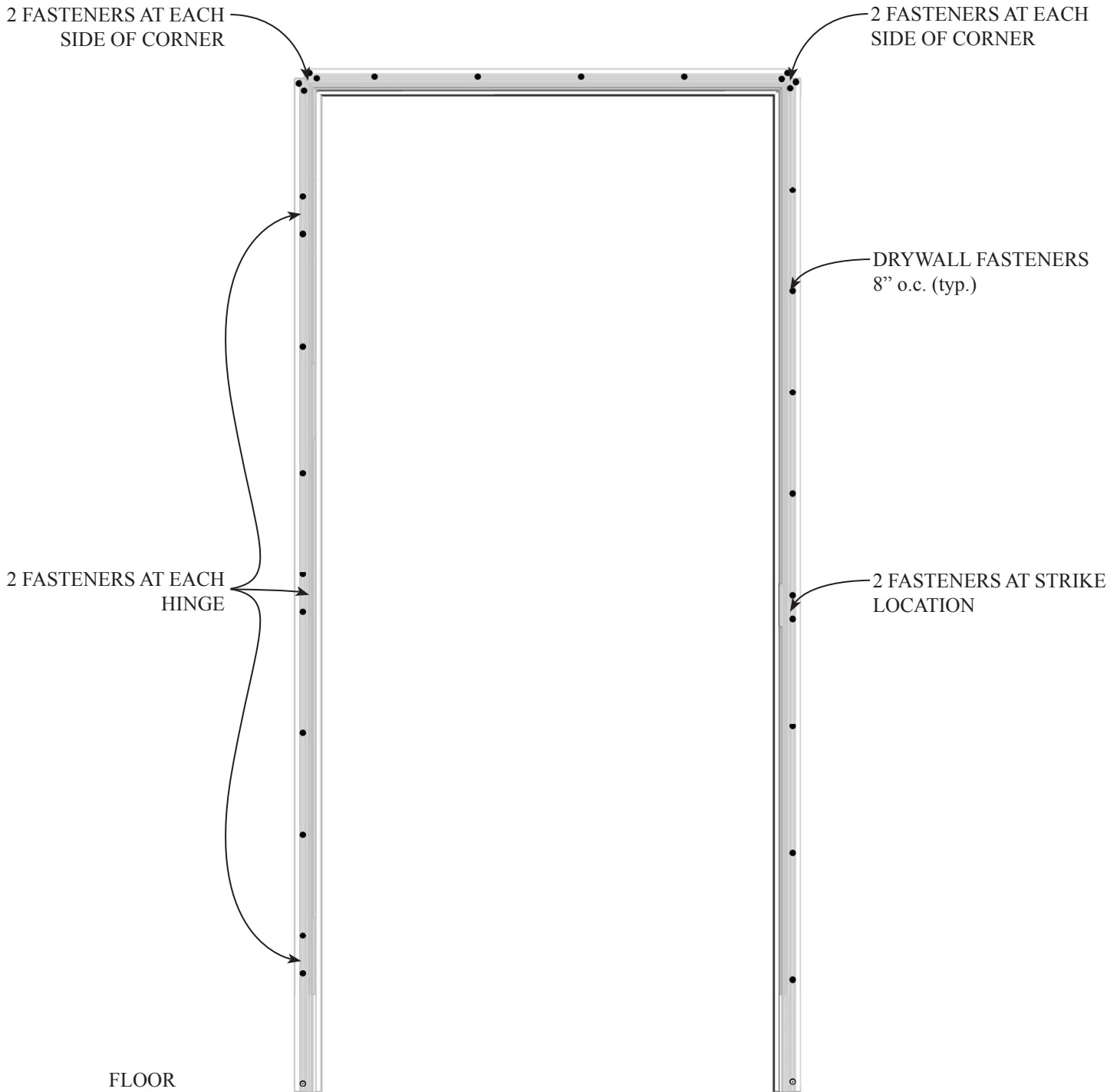
6. Install hinge jamb in rough opening making sure to align and insert the angle bracket previously installed on header.



7. Install strike jamb in rough opening making sure to align and insert the angle bracket previously installed on header.



8. Plumb hinge jamb, level header, then plumb strike jamb. Fasten with 1 1/2" drywall screws (supplied by others) at 8" on centers. Add two fasteners at each mitered corner, strike plate and hinge locations. Install paper tape continuously around both sides of frame. Take care to cover all mitered corners with tape before applying mud.



9. Secure hinges to door frame. Secure strike plate to door frame. Align door with hinges and secure in place. Install strike set on door.

10. Open and close door to ensure proper fit and functionality.