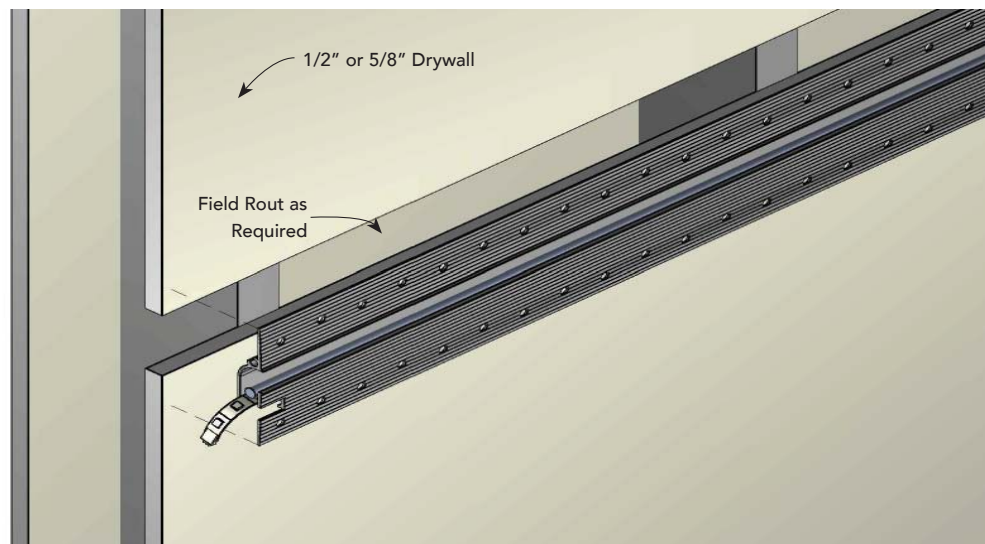




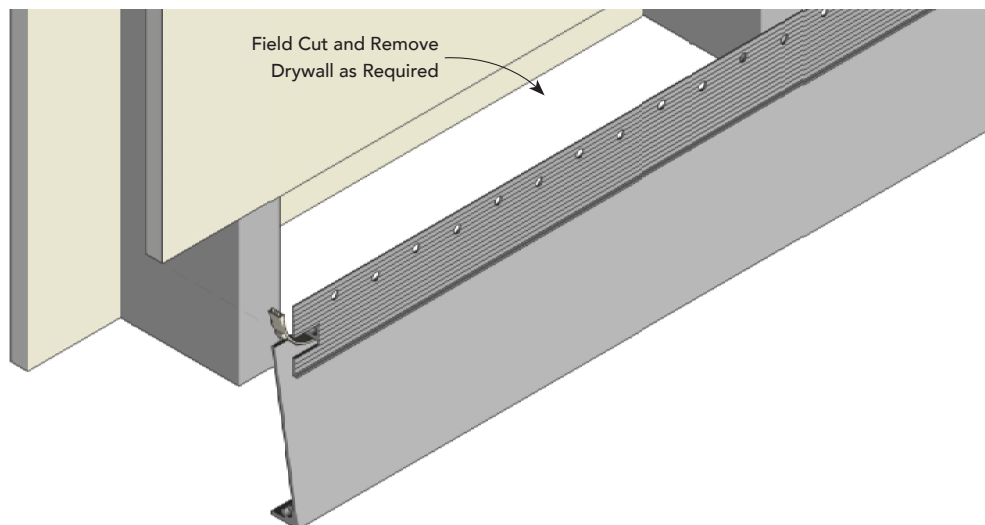
LED REVEALS - INSTALLATION INSTRUCTIONS

Fry Reglet's LED Reveals are designed to be installed in conventional drywall construction and will accommodate 1/2" or 5/8" board thickness. Standard installation is quick and easy – similar to the installation of reveals without LED lighting. Reveals are typically installed after the drywall has been installed. Begin by identifying the location of the reveals and snapping horizontal and/or vertical lines at these locations. Rout the board to accommodate the installation of the reveal profile you will be installing. Installation of the base reveal requires the removal of a portion of drywall at the floor to allow the base to be fit in place:

***NOTE:** All LED Reveals are shipped with a foam gasket protecting the LED strip. Do not remove the foam gasket until the reveal has been mudded, sanded and finished.



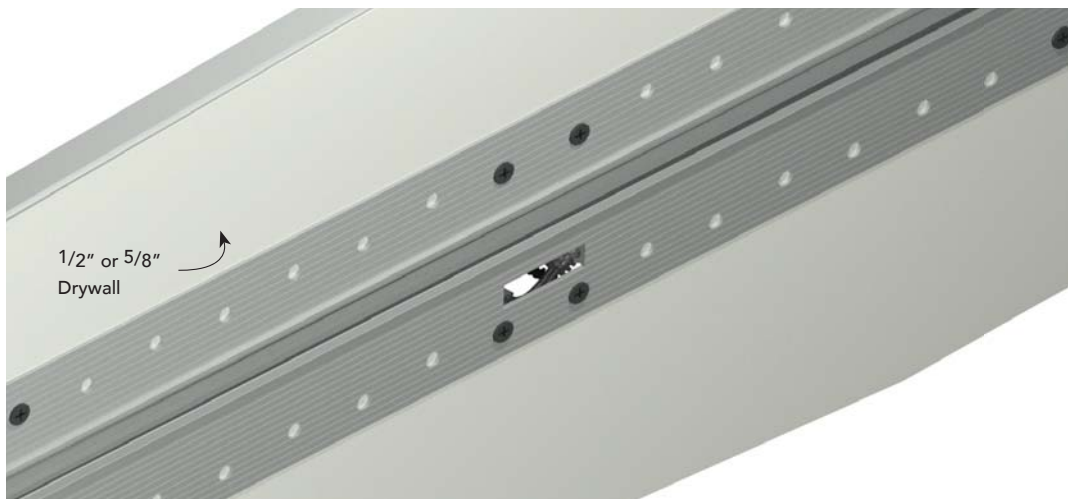
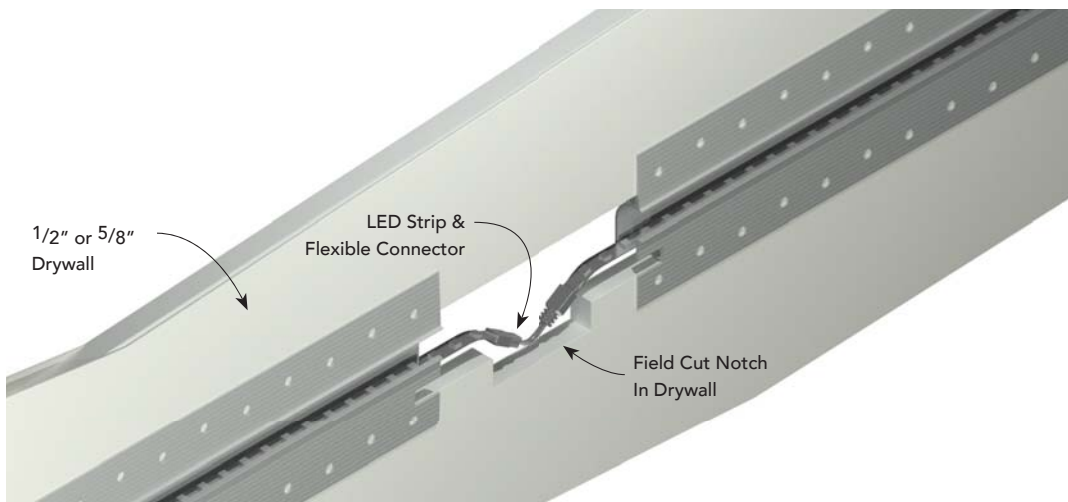
INSTALLATION OF LED HORIZONTAL REVEAL



INSTALLATION OF LED BASE REVEAL

LED REVEALS - INSTALLATION INSTRUCTIONS

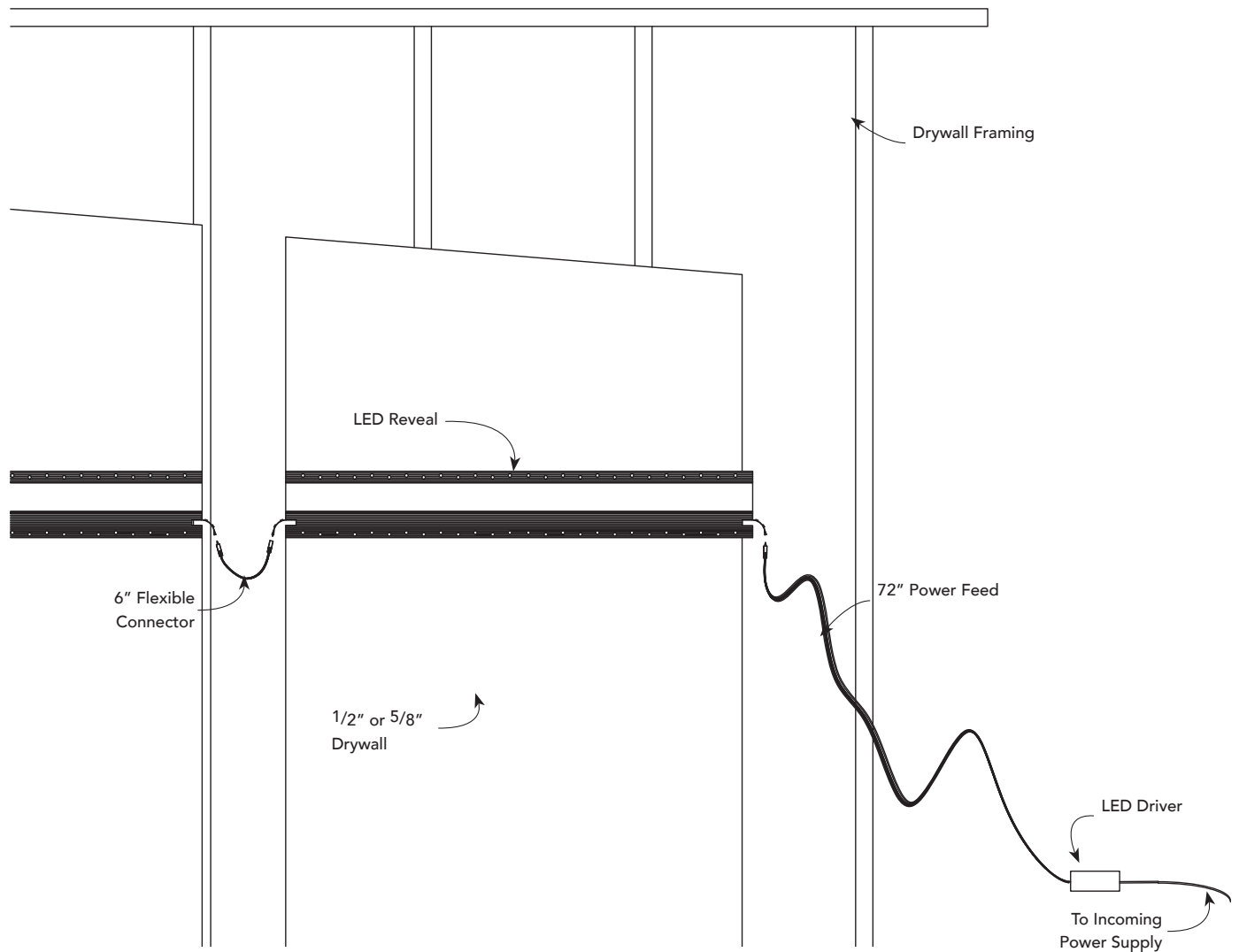
Install LED Reveal by seating the profile in the drywall, making note of the joint where the next profile will abut. The joint of the drywall will require a 1" deep x 2" wide notch. Be sure to cut the notch before securing the first profile to the drywall. *If field cut, a notch will be required after field cut for connector and excess LED to be tucked behind drywall.* Carefully attach the 6" Flexible Connector (provided) to end of the exposed LED strip. Place the second section of LED profile in place, and carefully attach the other end of the 6" Flexible Connector to the exposed LED strip. Tuck the connector and excess LED strip in the notch and secure the second profile in place. Continue to install LED reveals in this manner.



INSTALLATION OF 6" FLEXIBLE CONNECTOR

LED REVEALS - INSTALLATION INSTRUCTIONS

Upon completion of a run of LED reveals, the electrician should carefully attach one end of the 72" Power Feed to the exposed LED strip on the last reveal. The other end of the Power Feed is then connected to a LED Driver, which is then wired to a 120V power source:

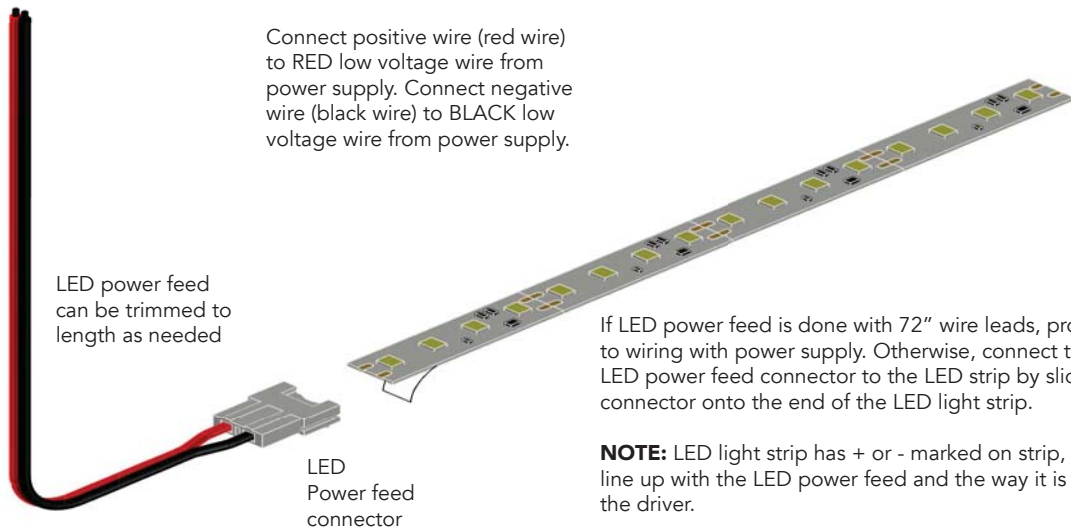


ELECTRICAL CONNECTIONS

LED REVEALS - INSTALLATION INSTRUCTIONS

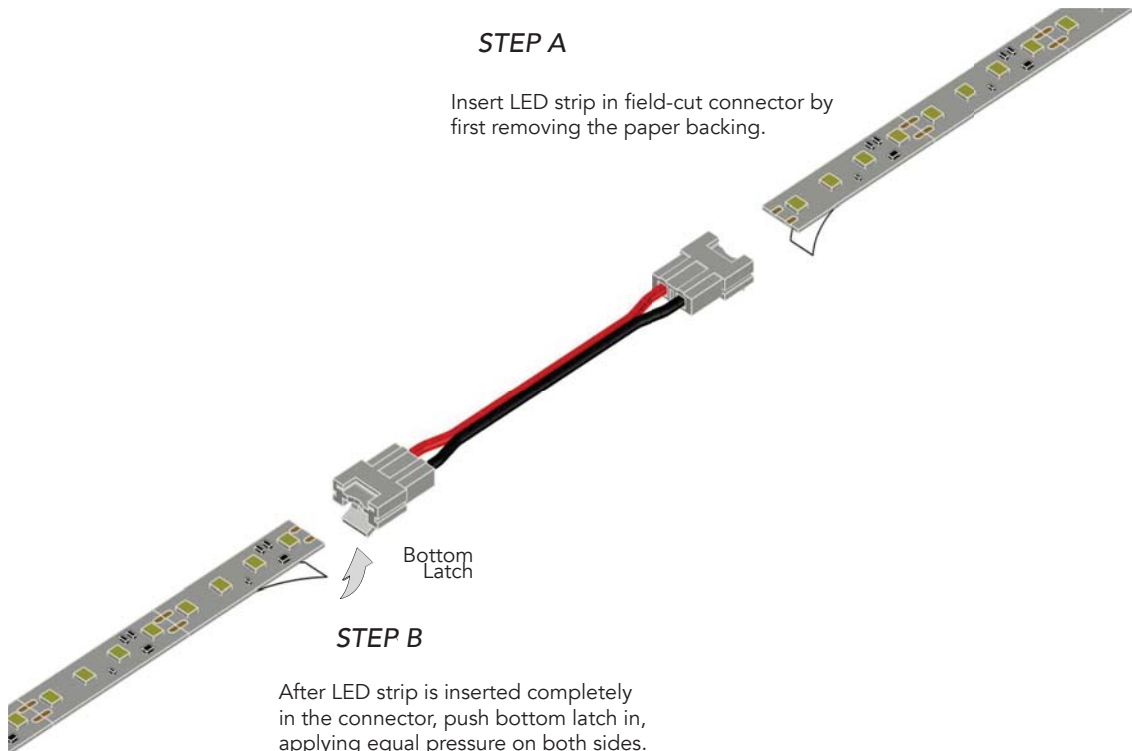
Electrical Installation Continued:

NOTE: Red wire on power feed wire cable indicates positive polarity. Black wire cable indicates negative polarity.



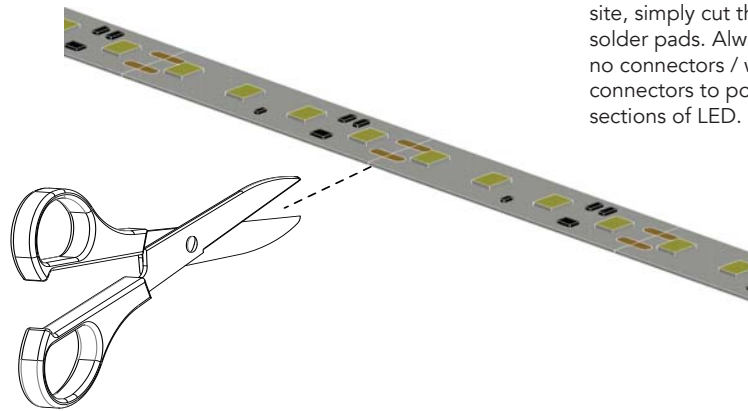
STEP A

Insert LED strip in field-cut connector by first removing the paper backing.



LED REVEALS - INSTALLATION INSTRUCTIONS

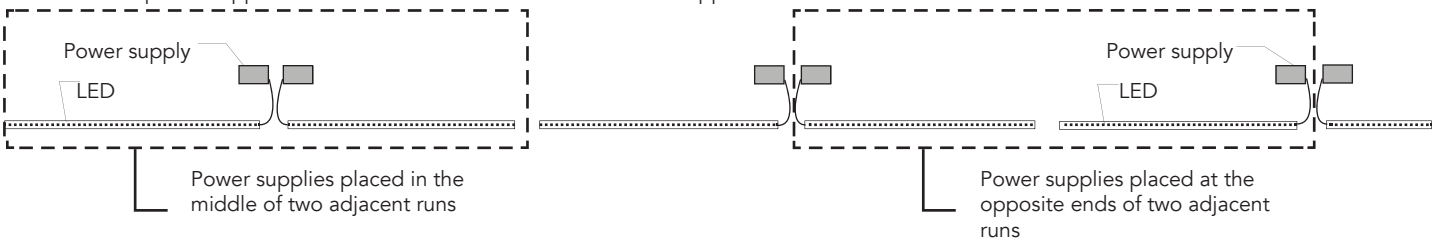
Electrical Installation Continued:



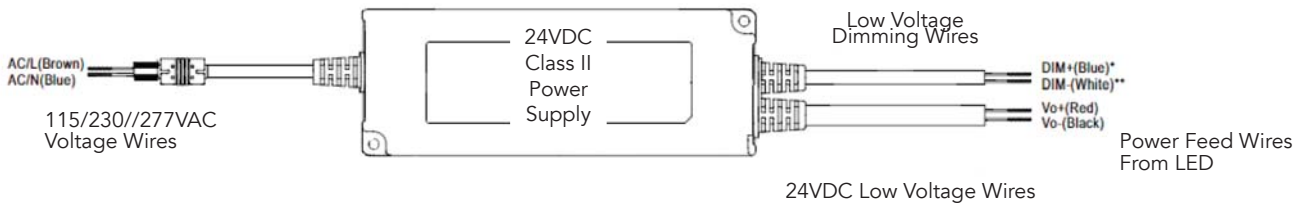
If length LED needs to be adjusted on site, simply cut the LED strip in between solder pads. Always cut from end with no connectors / wire leads. Then use connectors to power or extend cut sections of LED.

Recommended layout for multiple adjacent runs of LED feed with separate power supplies.

Position power supplies either in the middle of two runs or at the opposite ends.



Always ensure power to power supply is off! Follow diagrams to connect power feed wire to power supply. Refer to power supply instructions for wiring line voltage side.



72" WIRE LEAD POWER FEED WIRING

Connect positive wire (red wire) to RED positive wire from power supply. Connect negative wire (black wire) to BLACK low voltage wire from power supply.