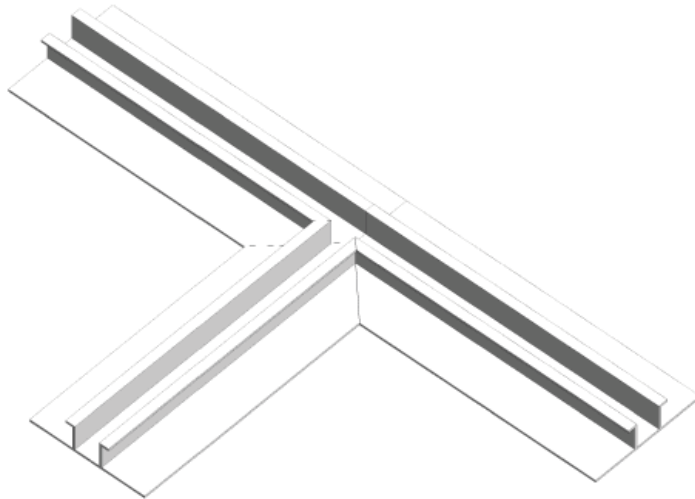
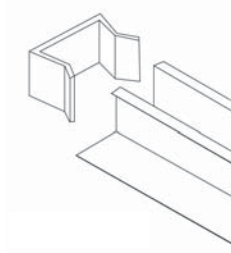


**FACTORY  
FABRICATED  
INTERSECTIONS**

Factory fabricated intersections and corner pieces of the same or different moldings are used to connect horizontal and vertical joints, or transitioning from plane to plane. The intersections are welded and sealed. Standard leg lengths are 6" from the center point of the reveal. Custom leg lengths are available.

**"T" INTERSECTION**

End Caps are not available for all products; please consult a customer service representative.

**"+" INTERSECTION**

**FACTORY FABRICATED INTERSECTIONS**

**PJ.6**

**FACTORY FABRICATED INTERSECTIONS**

**FACTORY FABRICATED INTERSECTIONS**

Presented as examples of ways Factory Fabricated Intersections can be used to speed installation and reduce costs.

**PREFABRICATED AND PRE-ASSEMBLED JOINTS**

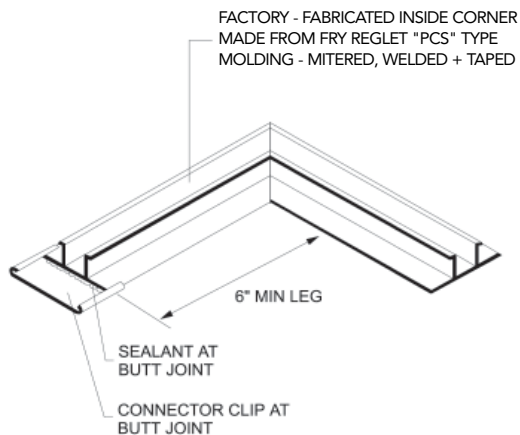
Factory fabricated intersections are available from Fry Reglet to speed installation and reduce labor cost. Intersections are available in the configurations shown below as well as custom configurations and may be made up of the same or different shapes. The joints are welded.

**NOTE:** Water resistant tape is factory applied to the backs of all PCS and DCS factory fabricated intersections.

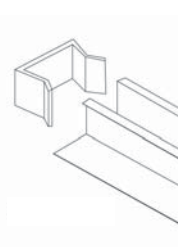
Intersections are furnished with 6" legs to join with straight sections of moldings.

Custom leg lengths are available.

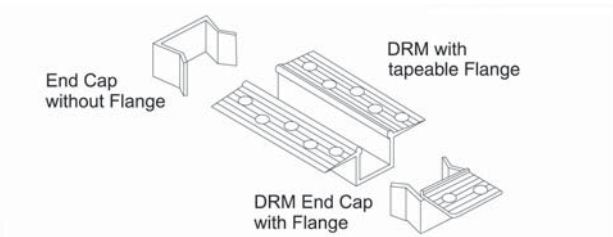
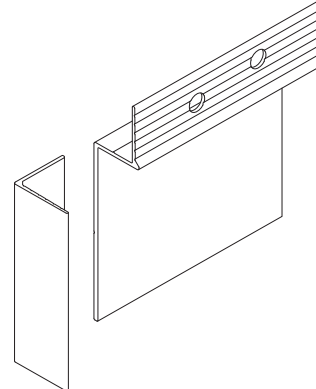
**PCS CHANNEL REVEAL "L" INTERSECTION**



**END CAP**



**DRMB WITH END CAP**



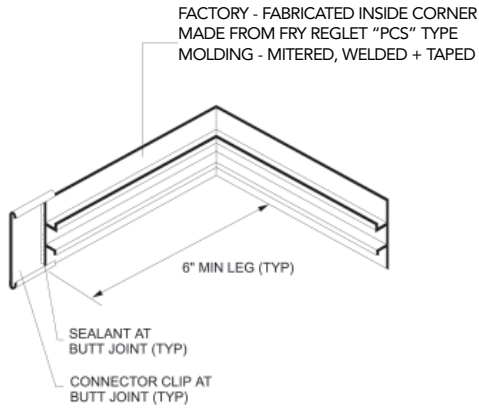
End Caps are not available for all products; please consult a customer service representative.

**FACTORY  
FABRICATED  
INTERSECTIONS**

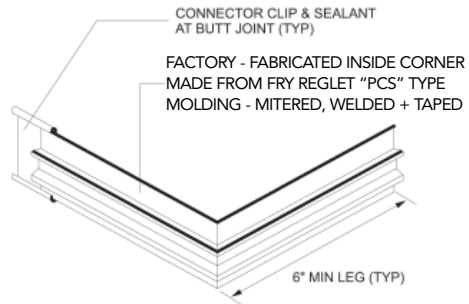
FACTORY FABRICATED INTERSECTIONS

Presented as examples of ways Factory Fabricated Intersections can be used to speed installation and reduce costs.

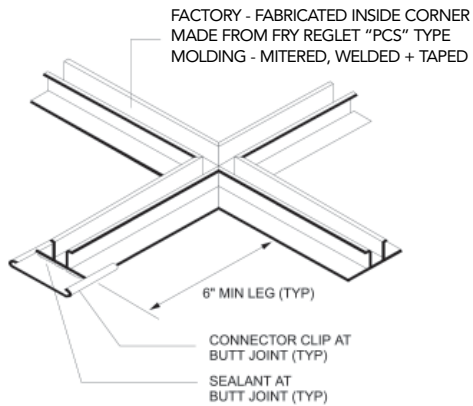
**PCS CHANNEL REVEAL INSIDE CORNER**



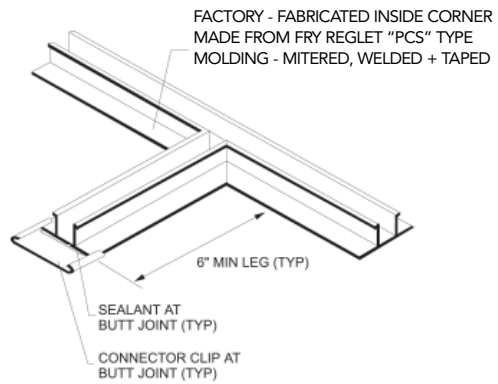
**PCS CHANNEL REVEAL OUTSIDE CORNER**



**PCS CHANNEL REVEAL "+" INTERSECTION**



**PCS CHANNEL REVEAL "T" INTERSECTION**



**FACTORY FABRICATED INTERSECTIONS**

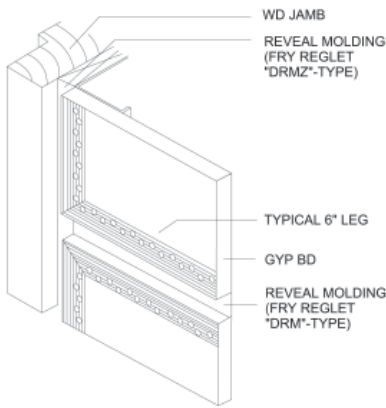
**PJ.8**

**FACTORY FABRICATED INTERSECTIONS**

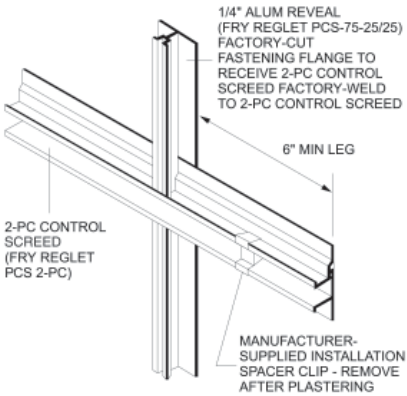
**FACTORY FABRICATED INTERSECTIONS**

Presented as examples of ways Factory Fabricated Intersections can be used to speed installation and reduce costs.

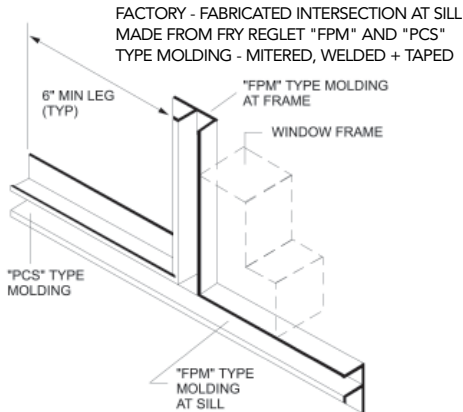
**DRM/DRMZ INTERSECTION AT DOORJAMB**



**PCS/PCS 2-PC INTERSECTION**



**FPM/PCS WINDOW SILL REVEAL**



**XCM/PCS CORNER/INTERSECTION**

