

# Z-SLOT

**FRY** REGLET

ENGINEERED PRODUCT SYSTEMS

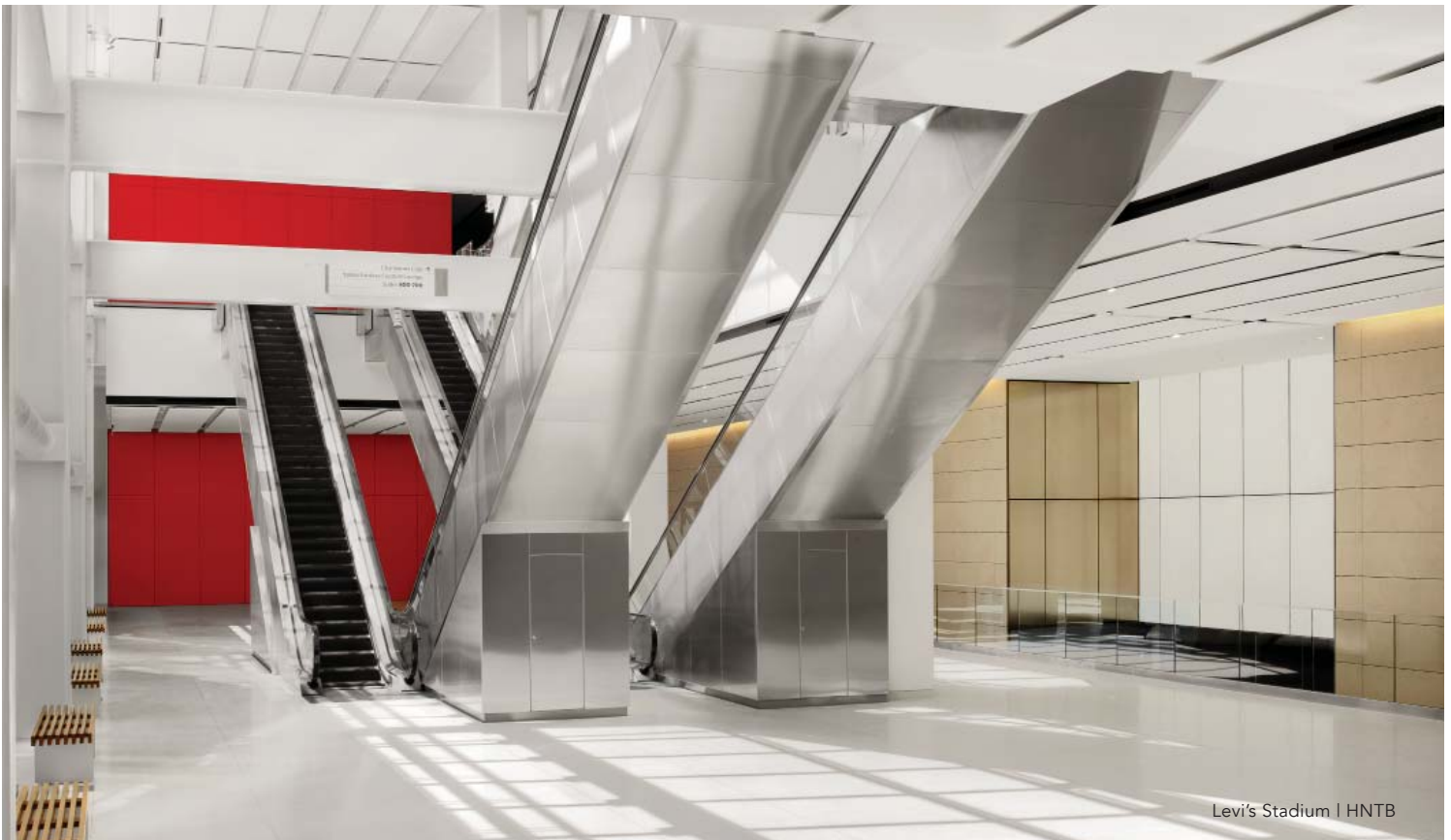
Z-SLOT PANELS PRODUCT BROCHURE

## Z-SLOT METAL PANEL DURABLY SLEEK.

Designed for use in high traffic areas such as escalator surrounds or airport circulation areas, Z-Slot metal panels allow for tight single line joint applications, or various sized reveals between panels. The unique Z-Slot attachment provides the installer with the ability to place and locate the panels precisely in the correct locations before being secured into place.

### FEATURES AND BENEFITS

- Z-Slot attachment ensures a quick and easy installation
- Highly abuse-resistant
- Aluminum and steel panels available in a variety of thicknesses
- Wide selection of standard colors, finishes and textures
- Perforations available for acoustic control
- Sublimated graphic treatment for personalized customization



Levi's Stadium | HNTB

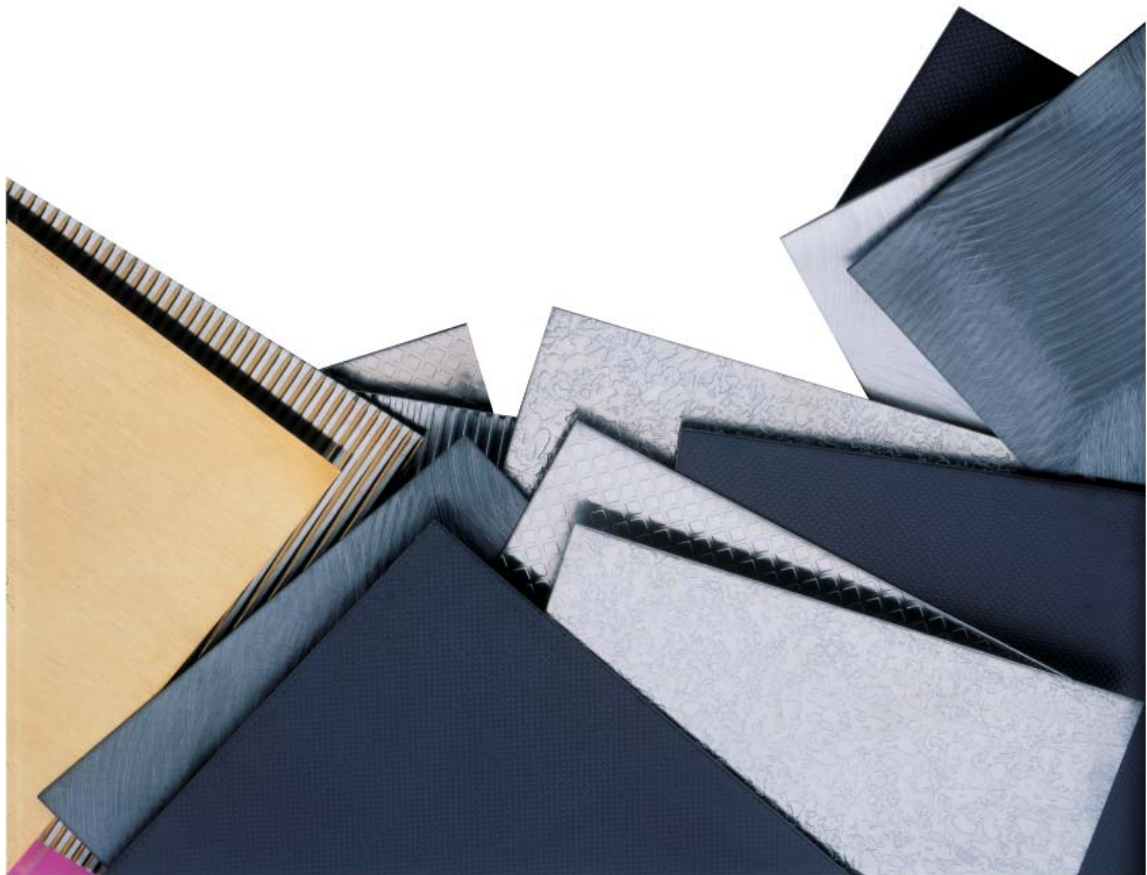
## DESIGN FOR ANY APPLICATION.

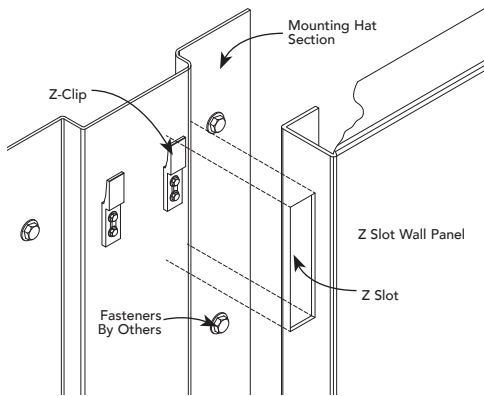
For over 65 years, Fry Reglet has worked with architects and designers to provide application solutions that combine the best in engineered structural integrity and aesthetic quality. Our engineering staff is ready to help, whether you need an original product design or want to customize an existing product for a unique application. The base material selection is virtually limitless.

Materials include stainless steel in 14 and 16 gage, aluminum panels in Type 3003 H14 and 5005 H34 alloys.

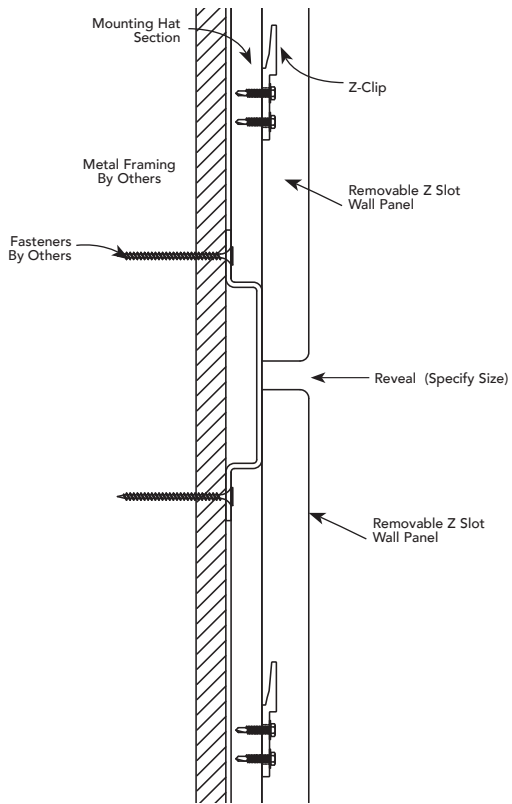
Galvanized steel panels can be primed, powder painted, or enameled in one of our standard colors or a custom color selected by the architect.

Feel free to submit your own material specification.

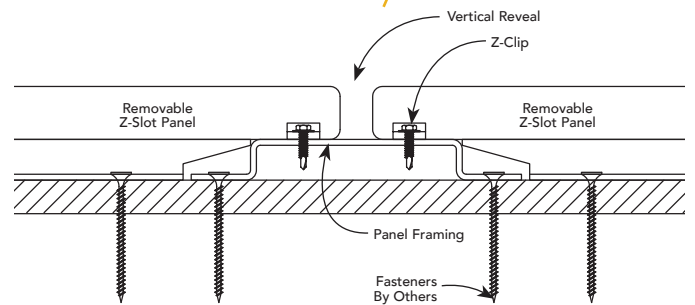
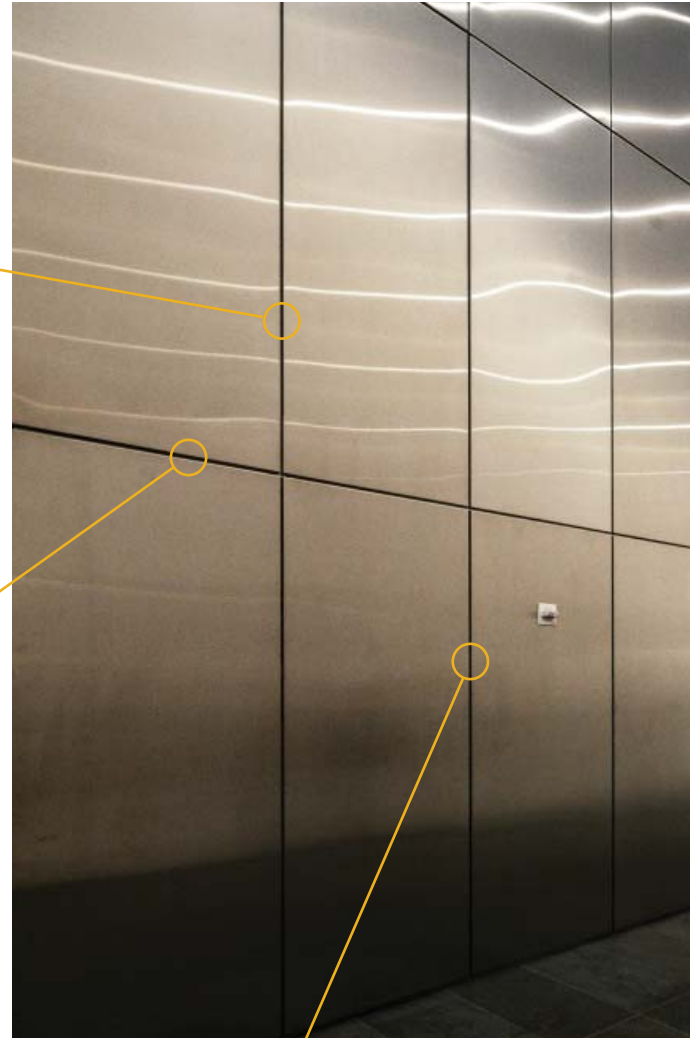




Z-SLOT PANEL ATTACHMENT  
EXPLODED VIEW



HORIZONTAL ATTACHMENT

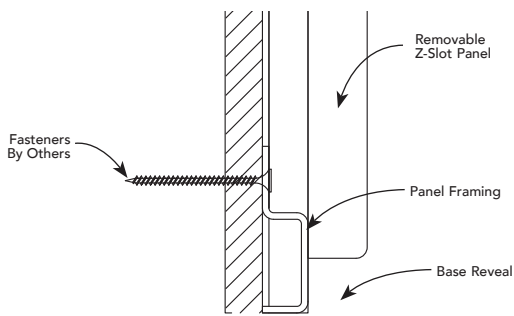
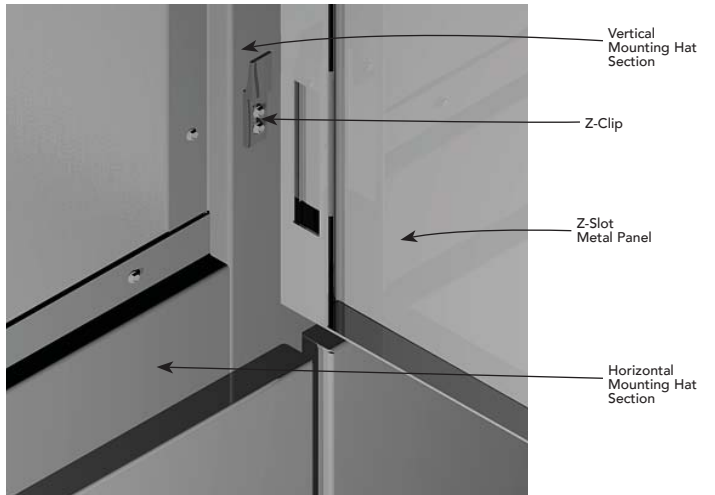
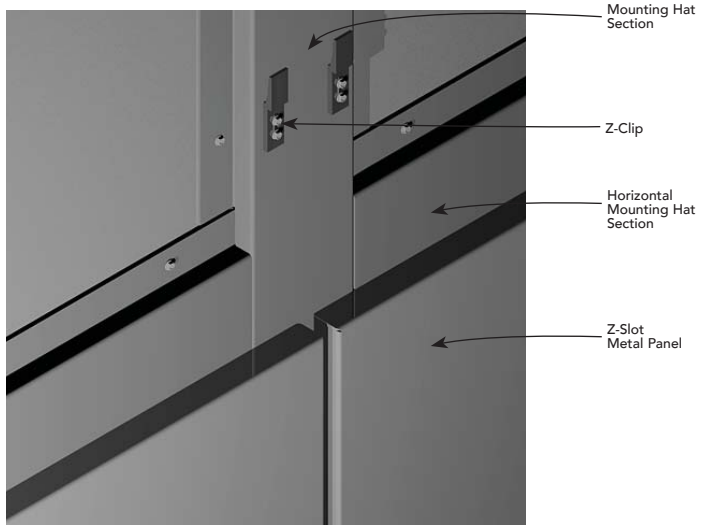


VERTICAL ATTACHMENT

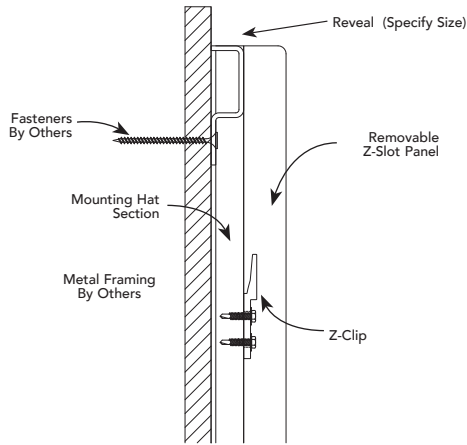


ATTACHMENT DETAILS

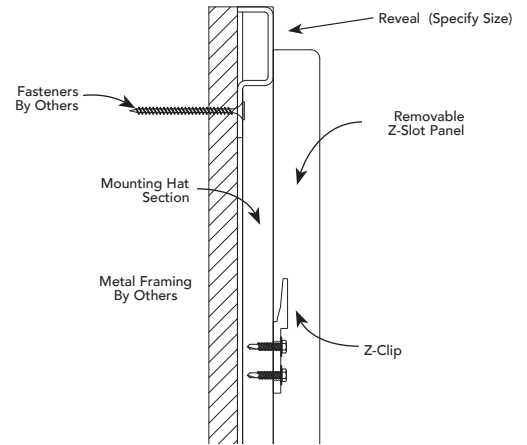
Z-SLOT



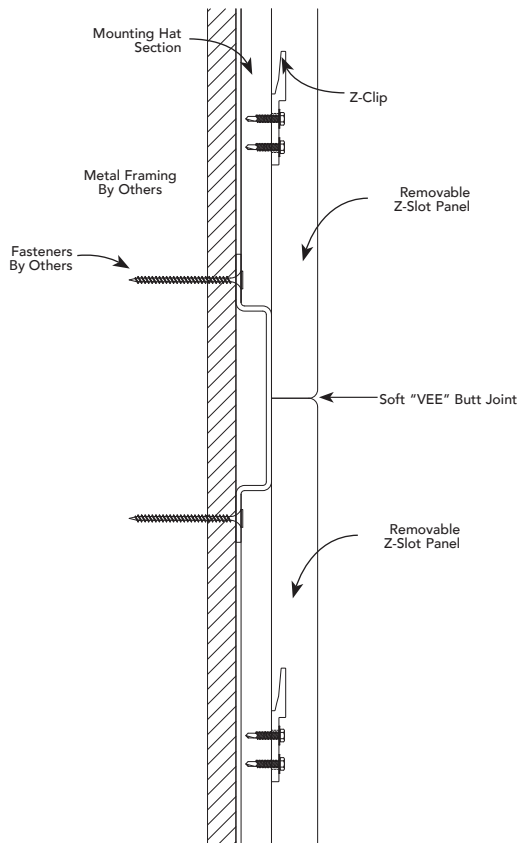
BASE REVEAL ATTACHMENT



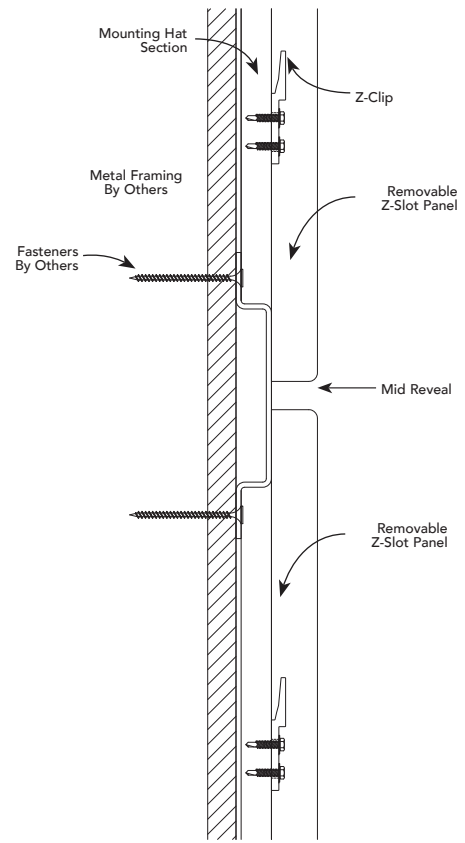
FLUSH HEAD DETAIL



REVEAL HEAD DETAIL

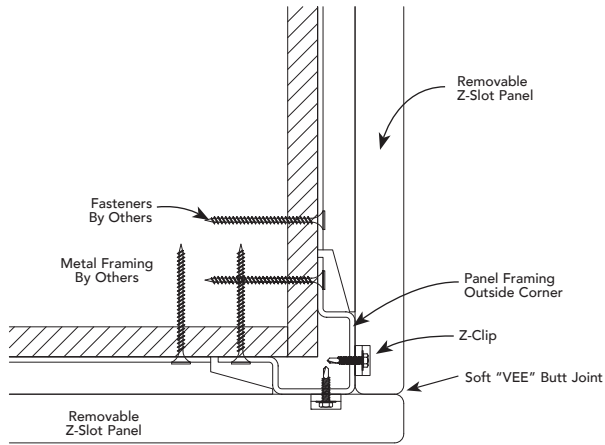


FLUSH INTERMEDIATE JOINT

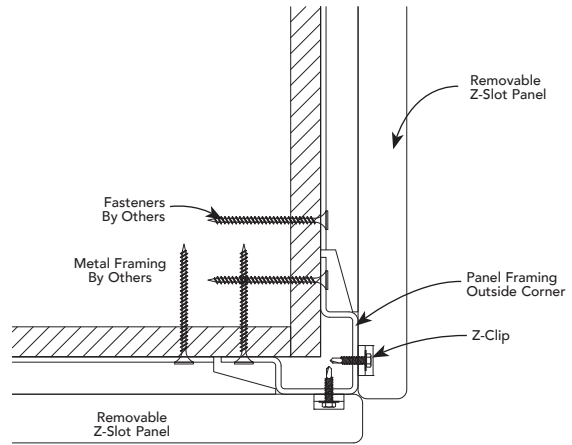


REVEAL INTERMEDIATE JOINT

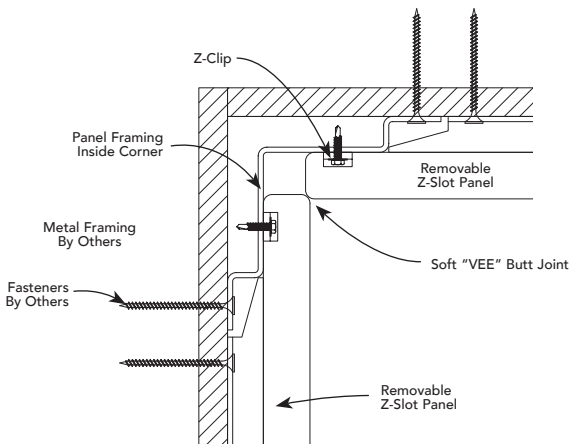
STANDARD DETAILS Z-SLOT



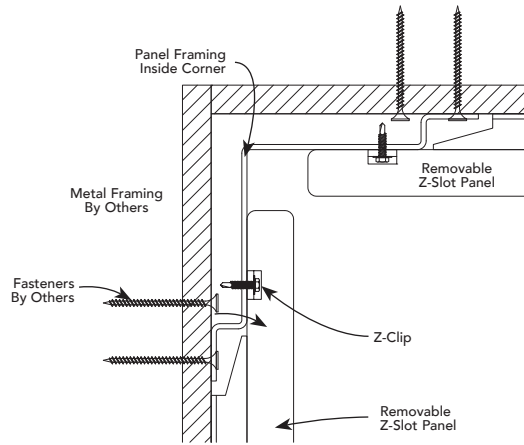
FLUSH OUTSIDE CORNER DETAIL



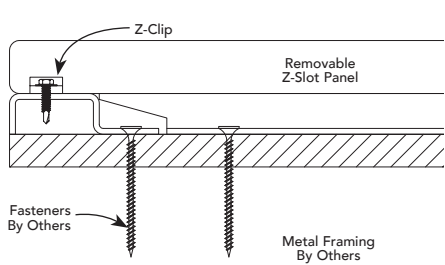
REVEAL OUTSIDE CORNER DETAIL



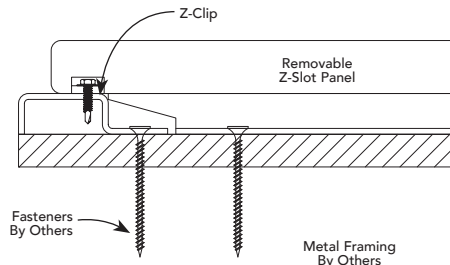
FLUSH INSIDE CORNER DETAIL



REVEAL INSIDE CORNER DETAIL



FLUSH END JOINT



REVEAL END JOINT

# FRY REGLET

800-237-9773 | [www.fryreglet.com](http://www.fryreglet.com)