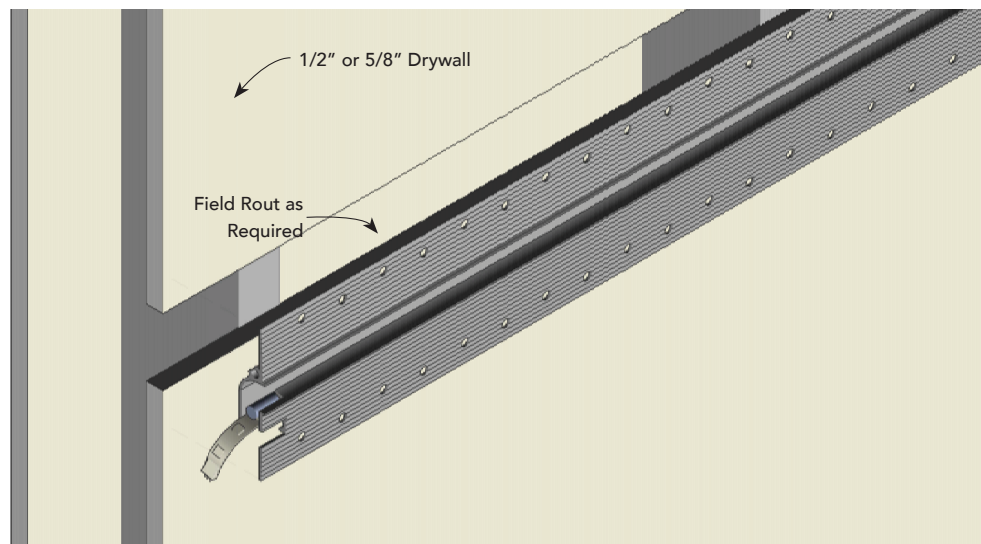


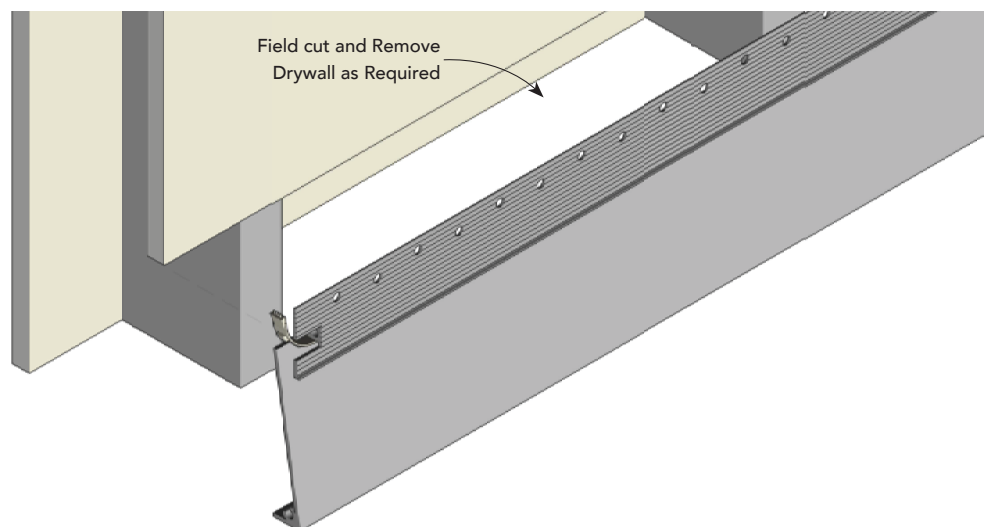
## LED REVEALS - INSTALLATION INSTRUCTIONS

Fry Reglet's LED Reveals are designed to be installed in conventional drywall construction and will accommodate 1/2" or 5/8" board thicknesses. Standard installation is quick and easy – similar to the installation of reveals without LED lighting. Reveals are typically installed after the drywall has been installed. Begin by identifying the location of the reveals and snapping horizontal and/or vertical lines at these locations. Rout the board to accommodate the installation of the reveal profile you will be installing. Installation of the base reveal requires the removal of a portion of drywall at the floor to allow the base to be fit in place:

**\*NOTE:** All LED Reveals are shipped with a foam gasket protecting the LED strip. Do not remove the foam gasket until the reveal has been mudded, sanded and finished.



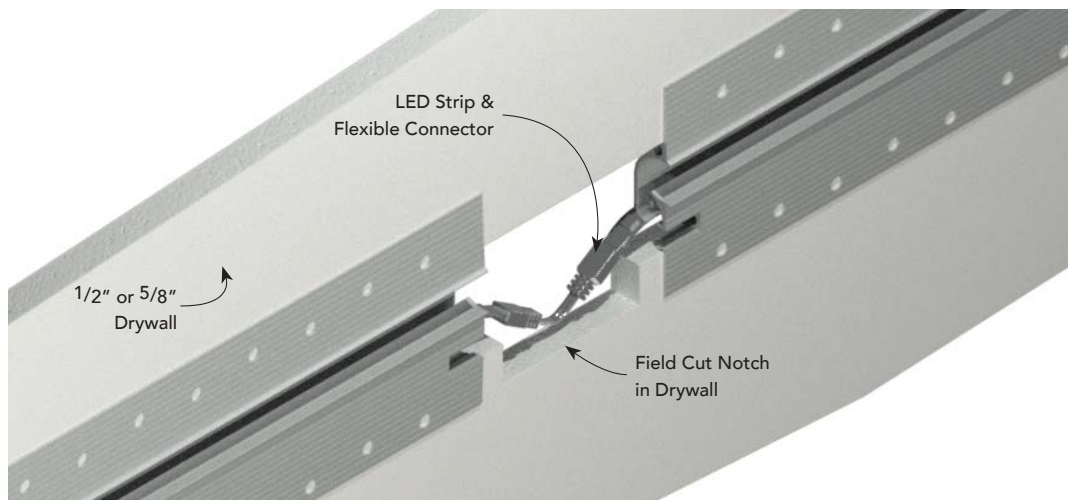
**INSTALLATION OF LED HORIZONTAL REVEAL**



**INSTALLATION OF LED BASE REVEAL**

## LED REVEALS - INSTALLATION INSTRUCTIONS

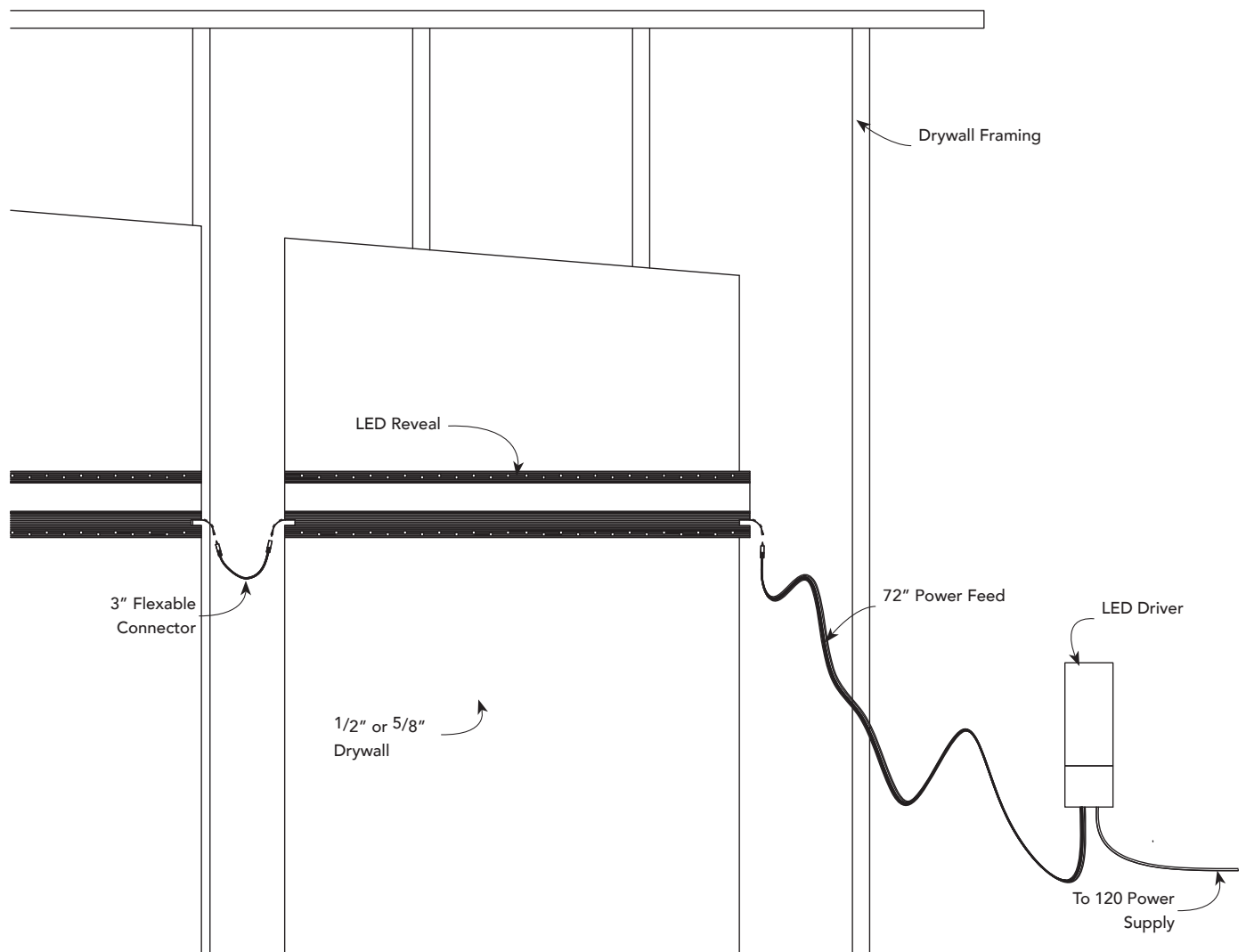
Install LED Reveal by seating the profile in the drywall, making note of the joint where the next profile will abut. The joint of the drywall will require a 1" deep x 2" wide notch – Be sure to cut the notch before securing the first profile to the drywall. Carefully attach the 3" Flexible Connector (provided) to end of the exposed LED strip. Place the second section of LED profile in place, and carefully attached the other end of the 3" Flexible Connector to the exposed LED strip. Tuck the connector and excess LED strip in the notch and secure the second profile in place. Continue to install LED reveals in this manner.



**INSTALLATION OF 3" FLEXIBLE CONNECTOR**

## LED REVEALS - INSTALLATION INSTRUCTIONS

Upon completion of a run of LED reveals, the electrician should carefully attach one end of the 72" Power Feed to the exposed LED strip on the last reveal. The other end of the Power Feed is then connected to a LED Driver, which is then wired to a 120V power source:

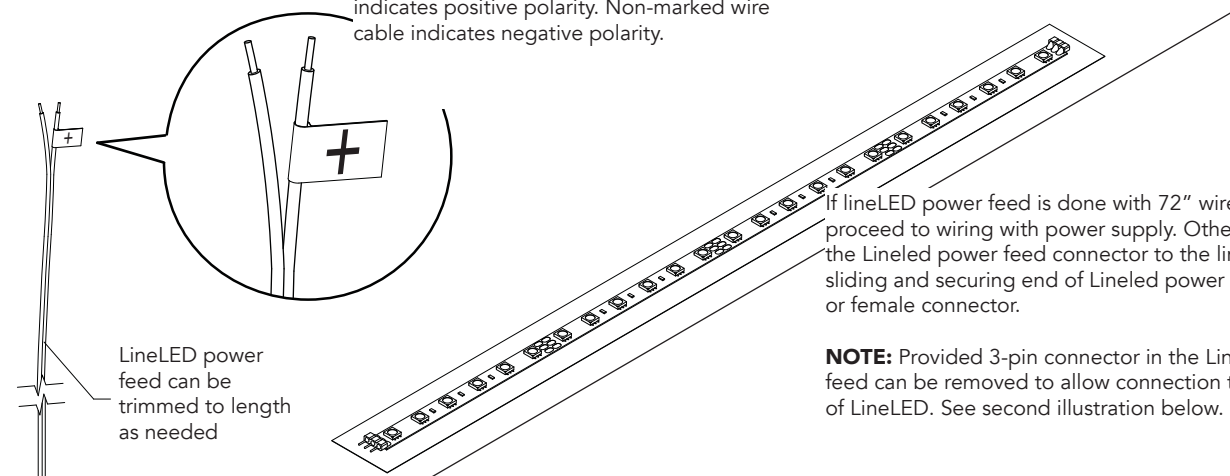


**ELECTRICAL CONNECTIONS**

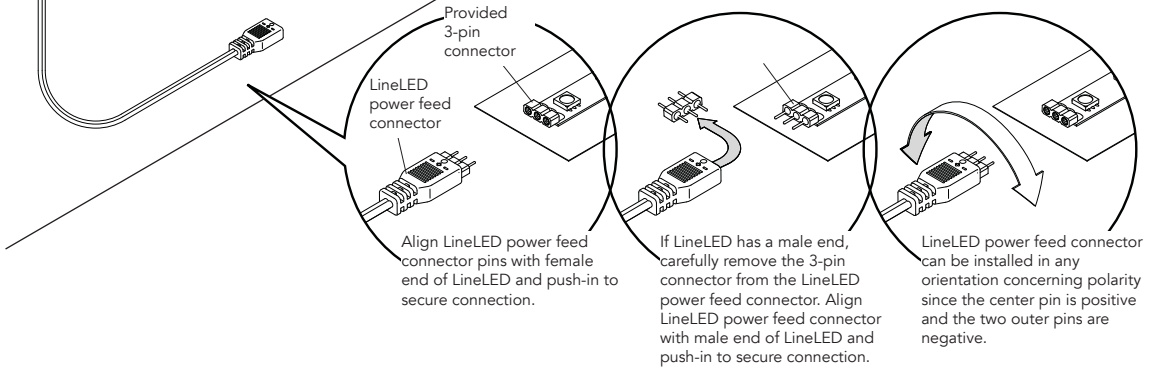
# LED REVEALS - INSTALLATION INSTRUCTIONS

Electrical Installation Continued:

**NOTE:** Plus-sign lable on power feed wire cable indicates positive polarity. Non-marked wire cable indicates negative polarity.



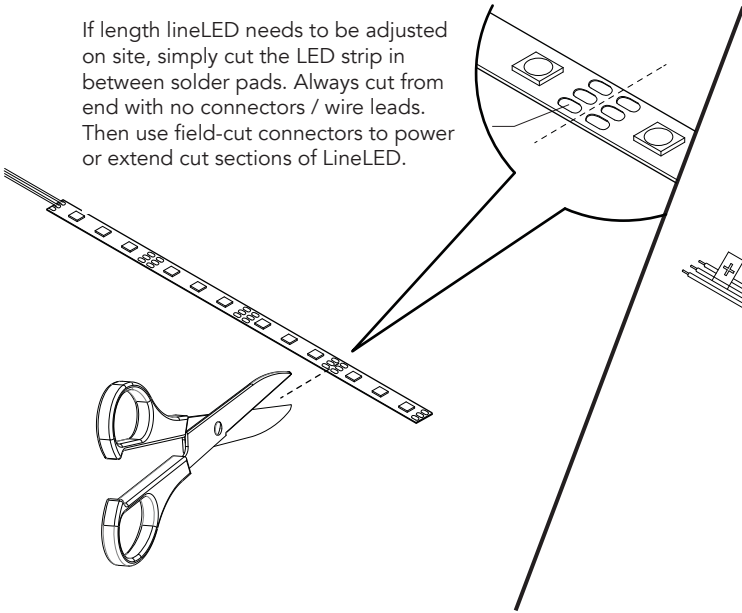
**NOTE:** Provided 3-pin connector in the LineLED power feed can be removed to allow connection to female end of LineLED. See second illustration below.



# LED REVEALS - INSTALLATION INSTRUCTIONS

Electrical Installation Continued:

If length lineLED needs to be adjusted on site, simply cut the LED strip in between solder pads. Always cut from end with no connectors / wire leads. Then use field-cut connectors to power or extend cut sections of LineLED.



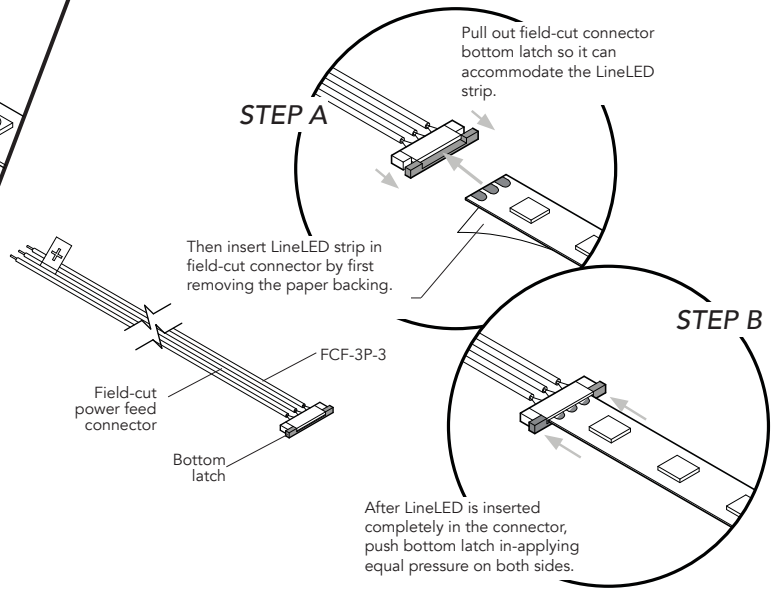
STEP A

Pull out field-cut connector bottom latch so it can accommodate the LineLED strip.

Then insert LineLED strip in field-cut connector by first removing the paper backing.

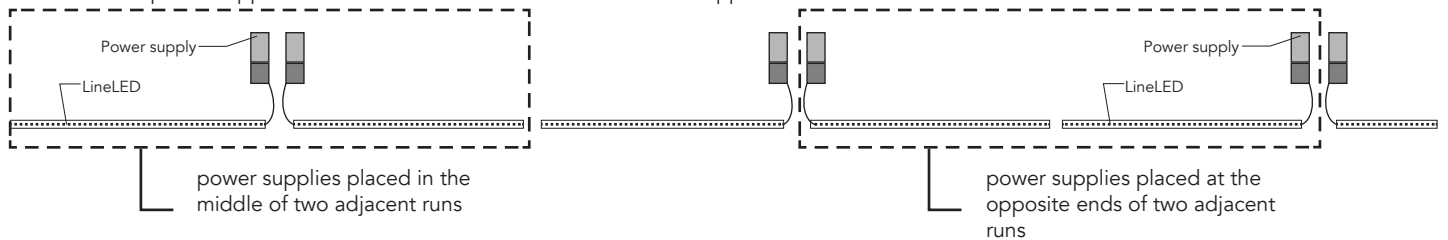
STEP B

After LineLED is inserted completely in the connector, push bottom latch in-applying equal pressure on both sides.

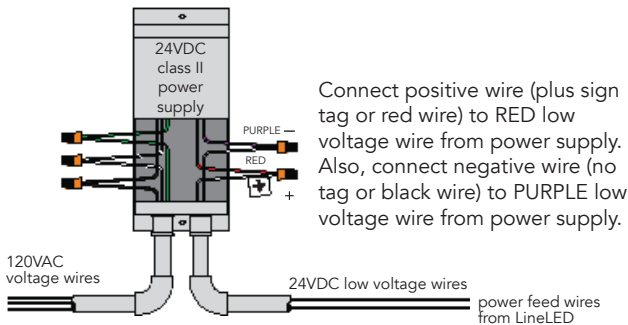


## Recommended layout for multiple adjacent runs of LineLED feed with separate power supplies.

Position power supplies either in the middle of two runs or at the opposite ends.



**Always ensure power to power supply is off!** Follow diagrams to connect power feed wire to power supply. Refer to power supply instructions for wiring line voltage side.

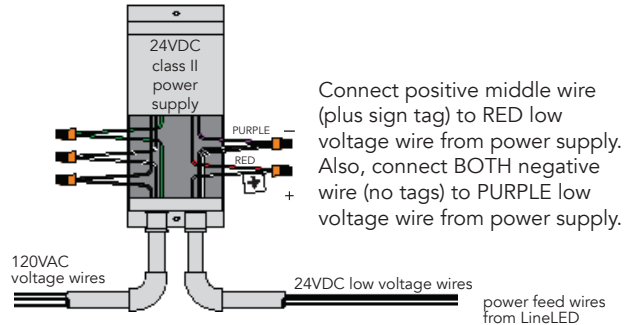


Connect positive wire (plus sign tag or red wire) to RED low voltage wire from power supply. Also, connect negative wire (no tag or black wire) to PURPLE low voltage wire from power supply.

120VAC voltage wires  
24VDC low voltage wires  
power feed wires from LineLED

**3-PIN CONNECTOR AND 72" WIRE LEAD POWER FEED WIRING**

OR



Connect positive middle wire (plus sign tag) to RED low voltage wire from power supply. Also, connect BOTH negative wire (no tags) to PURPLE low voltage wire from power supply.

120VAC voltage wires  
24VDC low voltage wires  
power feed wires from LineLED

**3-PIN CONNECTOR AND 72" WIRE LEAD POWER FEED WIRING**