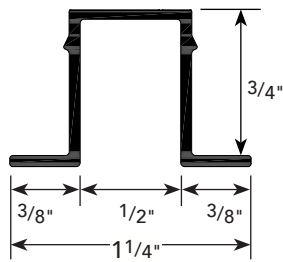


PRODUCT DETAIL



USAGE

Fry Reglet FCP Vertical Lap Insert creates an attractive architectural reveal when used in conjunction with Fry Reglet Vertical Retainer. This is ideal for all usage with lap siding.

GUIDE SPECIFICATION

Where indicated on drawings, Fry Reglet Vertical Lap Insert, as manufactured by Fry Reglet Corporation, shall be installed. Aluminum shall be extruded alloy 6063 T5, with primed finish, clear anodized or other specified finish. Refer to finish section.

NOTE: Attach panel in accordance with the manufacturers fastening schedule. Not to be used in horizontal applications.

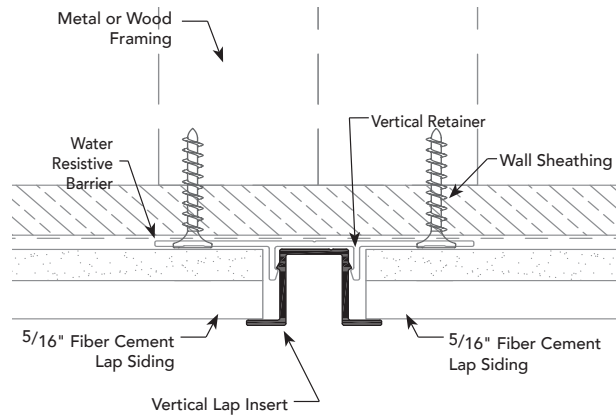
SIZES

| REVEAL DEPTH | NUMBER |
|--------------|----------------|
| NOM. 3/4" | FCP-VERT INS75 |

INSTALLATION DETAIL / Cross Section

A.8

VERTICAL LAP INSERT



INSTALLATION DETAIL / ISO View

