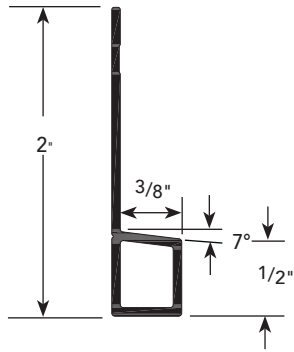


BASE



USAGE

Fry Reglet FCP Base creates a continuous horizontal ledge at the bottom of the Fiber Cement Panels, covers the horizontal edges at the bottom of the panel and is angled to channel moisture out.

GUIDE SPECIFICATION

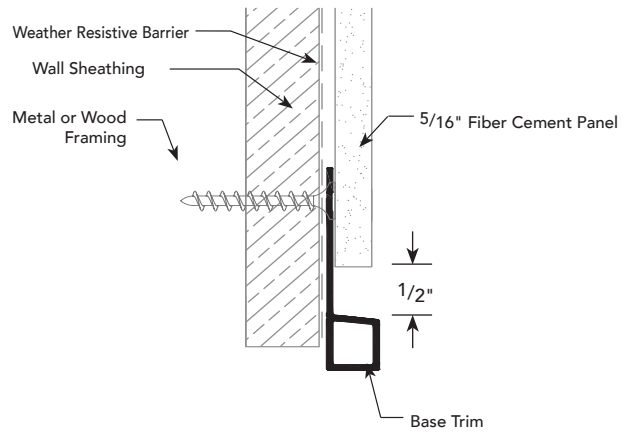
Where indicated on drawings, Fry Reglet Base, as manufactured by Fry Reglet Corporation, shall be installed. Aluminum shall be extruded alloy 6063 T5, with primed finish, clear anodized or other specified finish. Refer to finish section.

NOTE: Attach panel in accordance with the manufacturers fastening schedule.

SIZES

REVEAL DEPTH	NUMBER
NOM. 3/8"	FCP-BASE

INSTALLATION DETAIL / Cross Section



INSTALLATION DETAIL / ISO View

