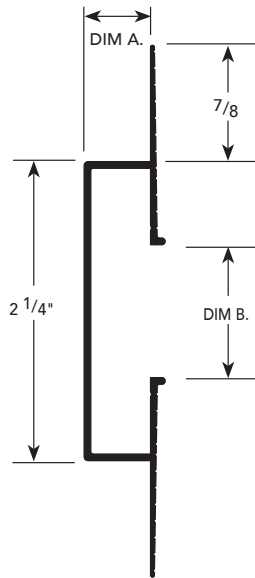
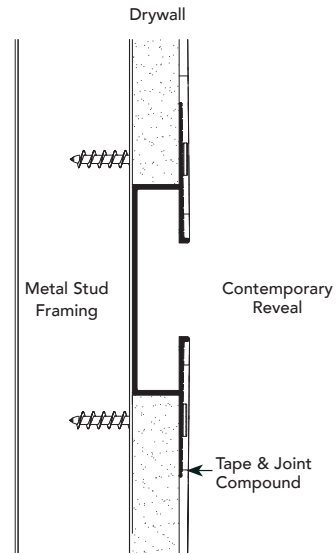


**PRODUCT DETAIL**



**INSTALLATION DETAIL / Cross Section**



**DG.2**

**CONTEMPORARY REVEALS**

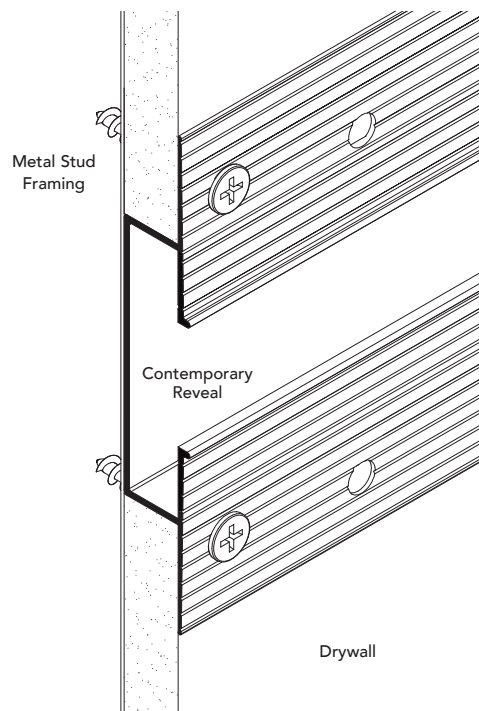
**USAGE**

Fry Reglet Contemporary Reveal Molding provides an attractive vertical or horizontal recess in drywall that creates the illusion the panels are “floating” in space.

**GUIDE SPECIFICATION**

Where indicated on drawings, Fry Reglet Contemporary Reveal Molding as manufactured by Fry Reglet Corporation, shall be installed. Aluminum shall be extruded alloy 6063 T5, with chemical conversion coating, clear anodized or other specified finish. Refer to finish section.

**INSTALLATION DETAIL / ISO View**



DIM. A REVEAL DEPTH	DIM. B REVEAL WIDTH	NUMBER
1/2"	1/2"	CDRM-50-50
1/2"	5/8"	CDRM-50-625
1/2"	3/4"	CDRM-50-75
1/2"	1"	CDRM-50-100
5/8"	1/2"	CDRM-625-50
5/8"	5/8"	CDRM-625-625
5/8"	3/4"	CDRM-625-75
5/8"	1"	CDRM-625-100