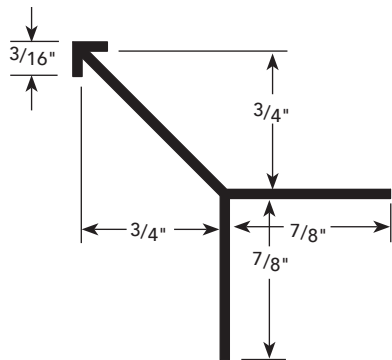


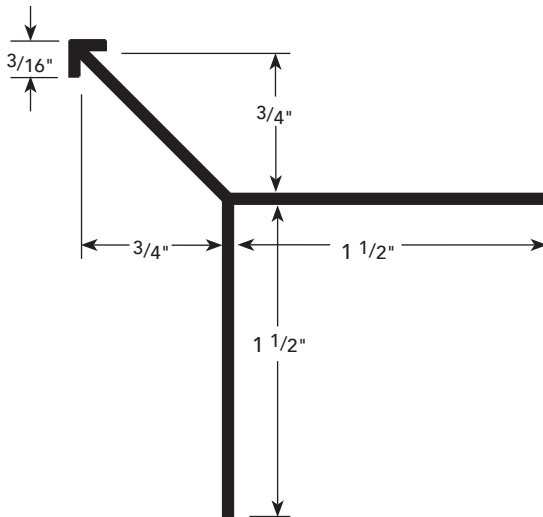
PRODUCT DETAILS

CORNER KEY

PCM 75-75



PCM 75-75-150



USAGE

Fry Reglet Corner Key is a barely visible corner plaster key that guarantees a clean, crisp, reinforced plaster corner.

GUIDE SPECIFICATION

Where indicated on drawings, Fry Reglet Corner Key, as manufactured by Fry Reglet Corporation, shall be installed. Aluminum shall be extruded alloy 6063 T5, with chemical conversion coating, clear anodized or other specified finish. Refer to finish section.

SIZES

NUMBER	DIM.
PCM-75-75	3/4"
PCM-75-75-150	1 1/2"

INSTALLATION DETAILS / Cross Section

Corner Key

