

PRODUCT DETAIL

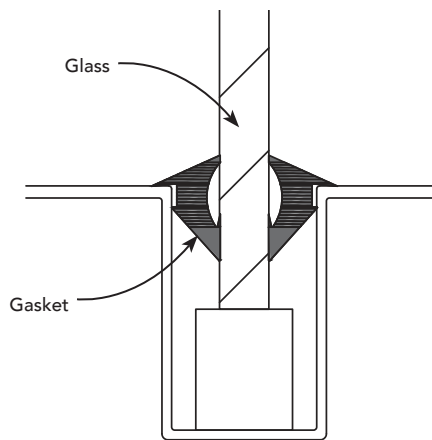
INSTALLATION DETAIL / Cross Section

DH.1

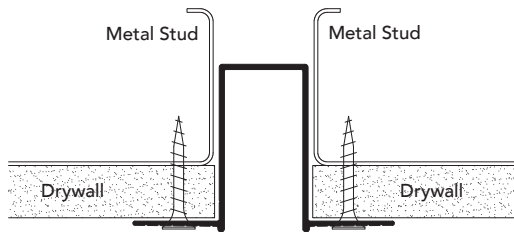
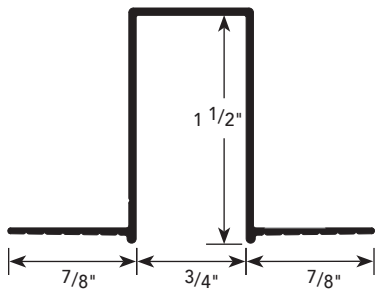
GLAZING TRACK

GLASS GASKET SIZES

GLASS SIZE	GASKET NUMBER
FOR USE WITH 1/4" GLASS	RR 3657
FOR USE WITH 3/8" GLASS	RR 3654
FOR USE WITH 1/2" GLASS	RR 3730



DRYWALL CEILING TRACK (DRM-150-75)



USAGE

Fry Reglet Glazing Ceiling Track creates a clean, sharp opening in drywall and acoustical ceilings for glass installation.

GUIDE SPECIFICATION

Where indicated on drawings, Fry Reglet Glazing Ceiling Track, as manufactured by Fry Reglet Corporation, shall be installed. Aluminum shall be extruded alloy 6063 T5, with chemical conversion coating, clear anodized or other specified finish. Refer to finish section.