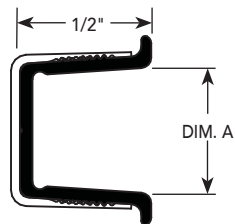
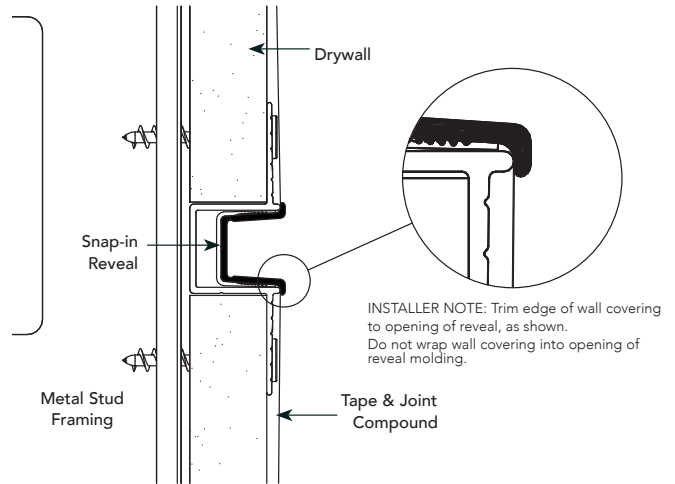


**"SNAP-IN"
REVEAL**



INSTALLATION DETAIL / Cross Section



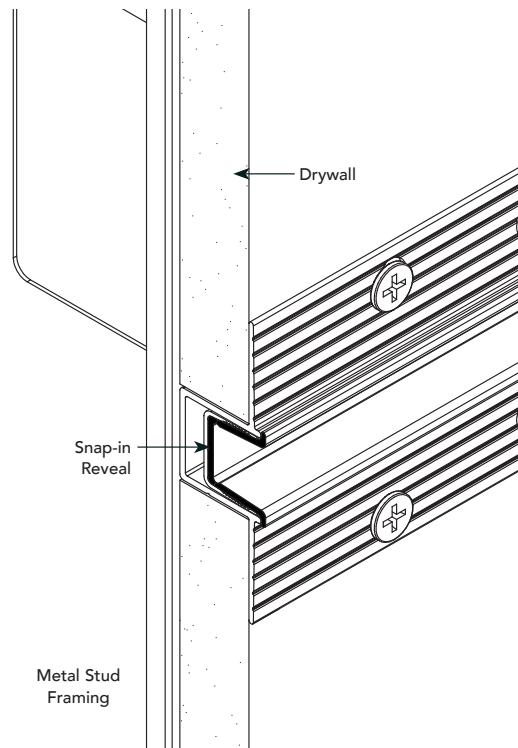
USAGE

Fry Reglet "Snap-In" Reveal is used with moldings shown in chart below to provide a different finish detail. The lip on the "Snap-In" Reveal covers wall covering edges and prevents peeling. "Snap-In" reveal is designed for use on walls and should not be applied to ceilings.

GUIDE SPECIFICATION

Where indicated on drawings, Fry Reglet "Snap-In" Reveal, as manufactured by Fry Reglet Corporation, shall be installed. Aluminum shall be extruded alloy 6063 T5, with chemical conversion coating, clear anodized or other specified finish. Refer to finish section.

INSTALLATION DETAIL / ISO View



SIZES

DA.3

"SNAP-IN"
REVEAL

DIM. A REVEAL WIDTH	NUMBER
$\frac{3}{8}$ *	DRM-SNAP-IN-375
$\frac{1}{2}$ **	DRM-SNAP-IN-50
$\frac{5}{8}$ ***	DRM-SNAP-IN-625

*Snap-In fits following profiles:

DRM-50-50, DRM-625-50, DRMF-50-50, DRMF-625-50

**Snap-In fits following profiles:

DRM-50-625, DRM-625-625, DRMF-50-625, DRMF-625-625

***Snap-In fits following profiles:

DRM-50-75, DRM-625-75, DRMF-50-75, DRMF-625-75