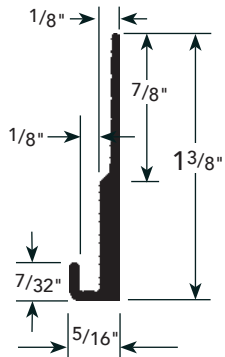


DA.4

PRODUCT DETAIL

WALL COVERING TRIMS

WCTBT125-217 (BASE & TERMINATION)



USAGE

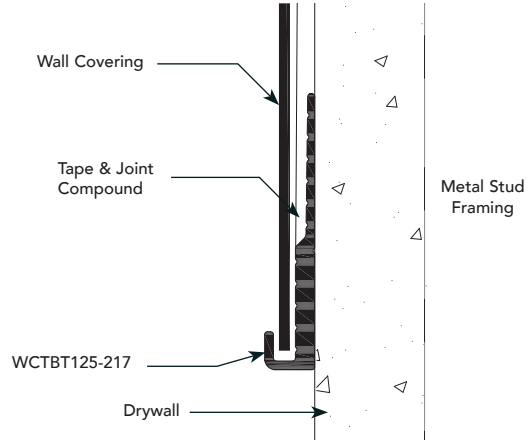
Fry Reglet Wall Cover Trim Base and Termination is used as a base, vertical termination or as a horizontal termination for all types of wall coverings 1/8" thick or less.

GUIDE SPECIFICATION

Where indicated on the drawings, Fry Reglet Wall Cover Trim Base and Termination, as manufactured by Fry Reglet Corporation, shall be installed. Aluminum shall be extruded 6063 T5, with chemical conversion coating, clear anodized or other specified finish. Refer to finish section.

INSTALLATION DETAIL / Cross Section

WCTBT125-217



INSTALLATION DETAIL / ISO View

