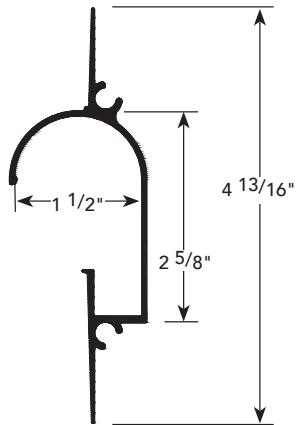
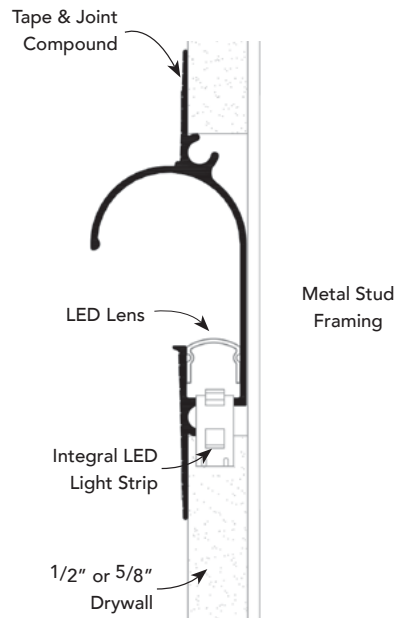


PRODUCT DETAIL

1 1/2" LIGHT COVE



INSTALLATION DETAIL / Cross Section



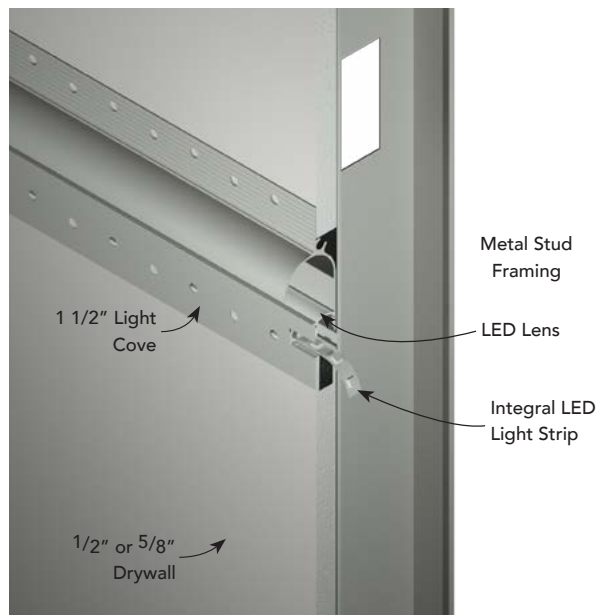
USAGE

Fry Reglet 1 1/2" Light Cove installs in 1/2" or 5/8" drywall and provides a continuous band of light. 1 1/2" Light Cove can be installed to direct lighting downwards for wall washing or upwards for ceiling illumination. Frosted lens included.

GUIDE SPECIFICATION

Where indicated on drawings, Fry Reglet 1 1/2" Light Cove, as manufactured by Fry Reglet Corporation, shall be installed. Aluminum shall be extruded alloy 6063 T5, with clear anodized or powder coat finish. Specify length and Kelvin temperature.

INSTALLATION DETAIL / ISO View



LIGHTING OPTIONS

1 1/2" LIGHT COVE

LED'S / FT	KELVIN	LENGTH	PART #
32	2700	2'	LED-CV150A2C
		4'	LED-CV150A4C
		6'	LED-CV150A6C
		8'	LED-CV150A8C
		10'	LED-CV150A10C
	3000	2'	LED-CV150B2C
		4'	LED-CV150B4C
		6'	LED-CV150B6C
		8'	LED-CV150B8C
		10'	LED-CV150B10C
	3500	2'	LED-CV150C2C
		4'	LED-CV150C4C
		6'	LED-CV150C6C
		8'	LED-CV150C8C
		10'	LED-CV150C10C
	4000	2'	LED-CV150D2C
		4'	LED-CV150D4C
		6'	LED-CV150D6C
		8'	LED-CV150D8C
		10'	LED-CV150D10C

C = CLEAR ANODIZED

P = PAINTED