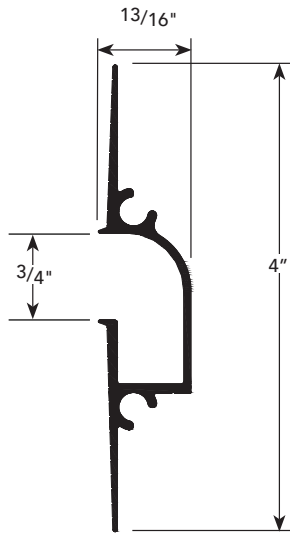
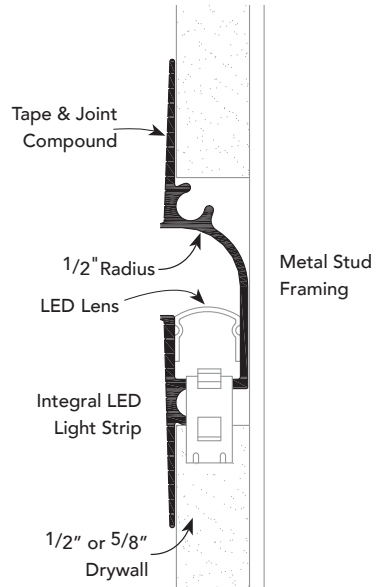


PRODUCT DETAIL

3/4" LIGHT REVEAL



INSTALLATION DETAIL / Cross Section



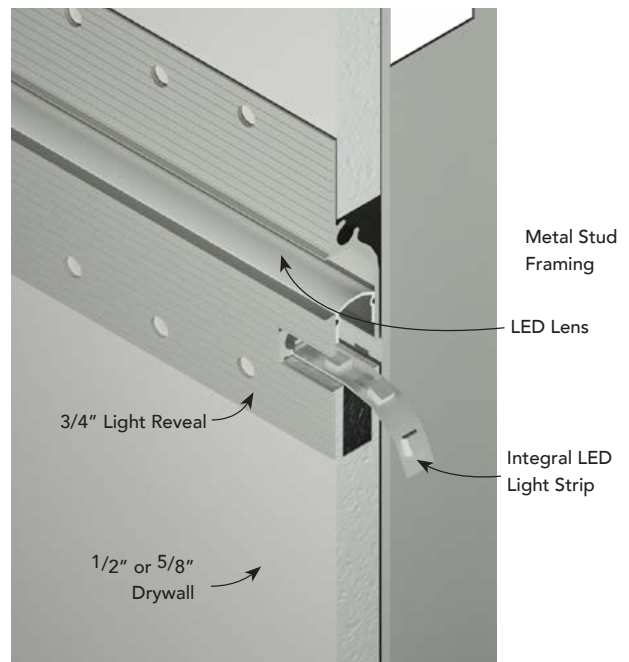
USAGE

Fry Reglet 3/4" Light Reveal installs in 1/2" or 5/8" drywall and provides a continuous band of light. 3/4" Light Reveal can be installed vertically or horizontally in walls, or ceilings. Frosted lens included.

GUIDE SPECIFICATION

Where indicated on drawings, Fry Reglet 3/4" Light Reveal, as manufactured by Fry Reglet Corporation, shall be installed. Aluminum shall be extruded alloy 6063 T5, with clear anodized or powder coat finish. Specify length and Kelvin temperature.

INSTALLATION DETAIL / ISO View



PRODUCT DETAIL

INSTALLATION DETAIL / Cross Section

3/4" LIGHT REVEAL

LED'S / FT	KELVIN	LENGTH	PART #
32	2700	2'	LED-RVL75A2C
		4'	LED-RVL75A4C
		6'	LED-RVL75A6C
		8'	LED-RVL75A8C
		10'	LED-RVL75A10C
	3000	2'	LED-RVL75B2C
		4'	LED-RVL75B4C
		6'	LED-RVL75B6C
		8'	LED-RVL75B8C
		10'	LED-RVL75B10C
	3500	2'	LED-RVL75C2C
		4'	LED-RVL75C4C
		6'	LED-RVL75C6C
		8'	LED-RVL75C8C
		10'	LED-RVL75C10C
	4000	2'	LED-RVL75D2C
		4'	LED-RVL75D4C
		6'	LED-RVL75D6C
		8'	LED-RVL75D8C
		10'	LED-RVL75D10C

C = CLEAR ANODIZED

P = PAINTED