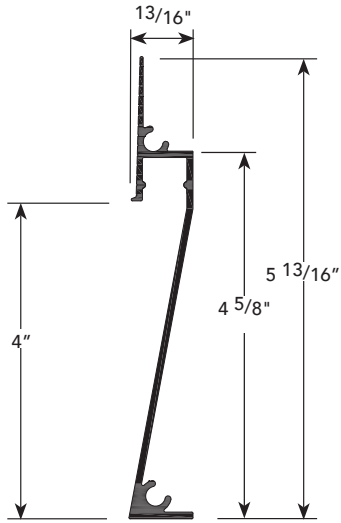
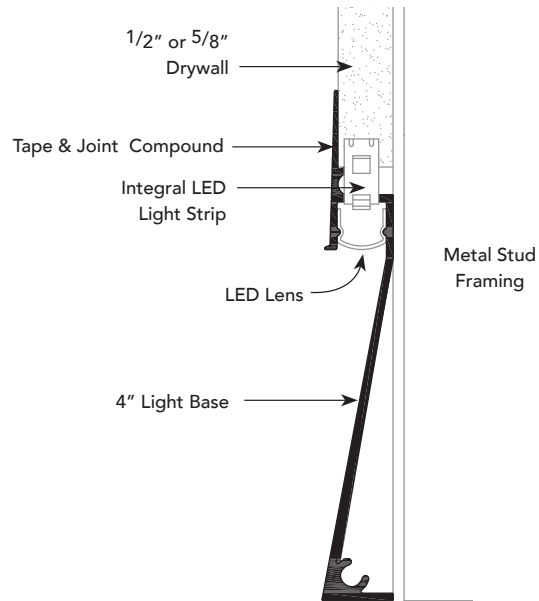


PRODUCT DETAIL

4" LIGHT BASE



INSTALLATION DETAIL / Cross Section



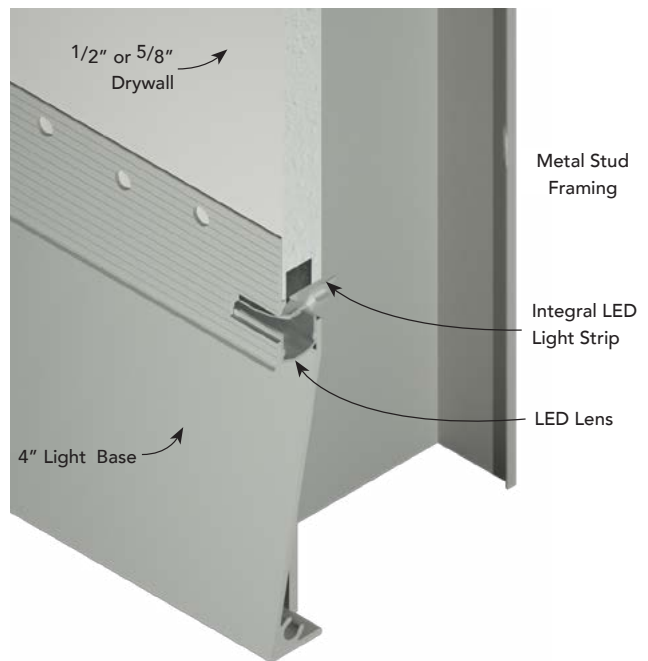
USAGE

Fry Reglet 4" Light Base installs in 1/2" or 5/8" drywall and provides a continuous band of light at the base of drywall partitions. Frosted lens included.

GUIDE SPECIFICATION

Where indicated on drawings, Fry Reglet 4" Light Base, as manufactured by Fry Reglet Corporation, shall be installed. Aluminum shall be extruded alloy 6063 T5, with clear anodized or powder coat finish. Specify length and Kelvin temperature.

INSTALLATION DETAIL / ISO View



PRODUCT DETAIL

INSTALLATION DETAIL / Cross Section

4" LIGHT BASE

LED'S / FT	KELVIN	LENGTH	PART #
32	2700	2'	LED-BS4A2C
		4'	LED-BS4A4C
		6'	LED-BS4A6C
		8'	LED-BS4A8C
		10'	LED-BS4A10C
	3000	2'	LED-BS4B2C
		4'	LED-BS4B4C
		6'	LED-BS4B6C
		8'	LED-BS4B8C
		10'	LED-BS4B10C
	3500	2'	LED-BS4C2C
		4'	LED-BS4C4C
		6'	LED-BS4C6C
		8'	LED-BS4C8C
		10'	LED-BS4C10C
	4000	2'	LED-BS4D2C
		4'	LED-BS4D4C
		6'	LED-BS4D6C
		8'	LED-BS4D8C
		10'	LED-BS4D10C

C = CLEAR ANODIZED

P = PAINTED