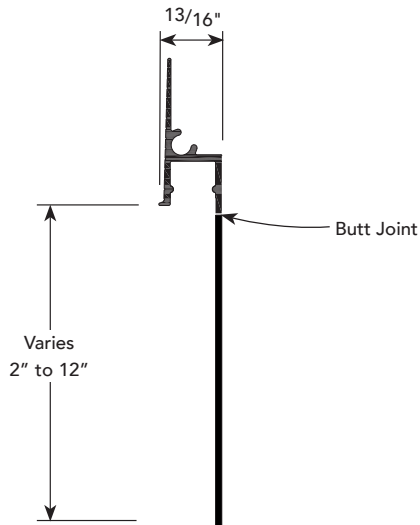
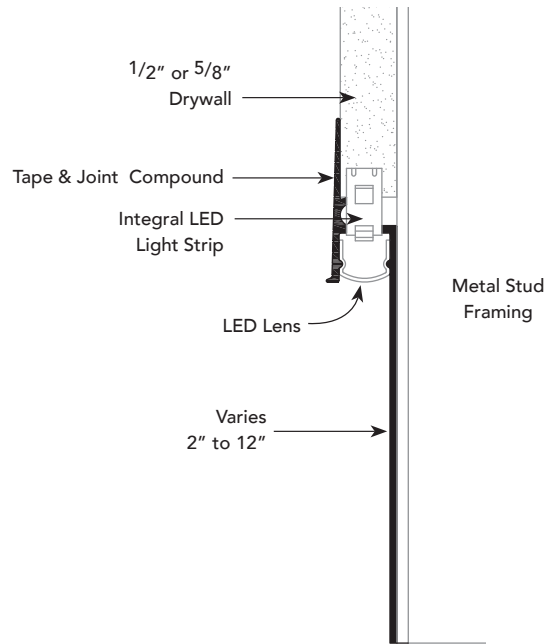


PRODUCT DETAIL

FLAT LIGHT BASE 2" - 12"



INSTALLATION DETAIL / Cross Section



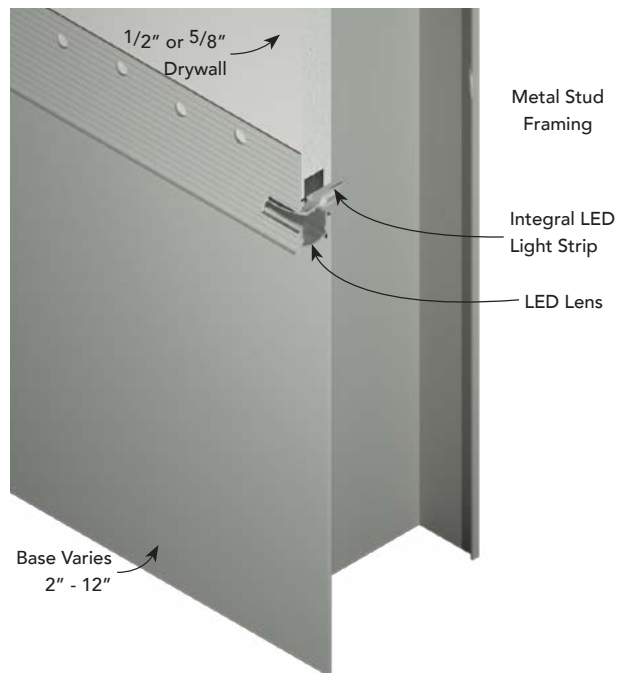
USAGE

Fry Reglet Flat Light Base 2" to 12" installs in 1/2" or 5/8" drywall and provides a continuous band of light at the base of drywall partitions. 2 - piece system allows for scribing to accommodate inconsistent floors. Frosted lens included.

GUIDE SPECIFICATION

Where indicated on drawings, Fry Reglet Flat Light Base, as manufactured by Fry Reglet Corporation, shall be installed. Aluminum shall be extruded alloy 6063 T5, with clear anodized or powder coat finish. Specify length and Kelvin temperature.

INSTALLATION DETAIL / ISO View



LIGHTING OPTIONS

FLAT LIGHT BASE 2" - 12"

| LED'S / FT | KELVIN | LENGTH | PART # |
|------------|--------|--------|-----------------|
| 32 | 2700 | 2' | LED-FLATBS_A2C |
| | | 4' | LED-FLATBS_A4C |
| | | 6' | LED-FLATBS_A6C |
| | | 8' | LED-FLATBS_A8C |
| | | 10' | LED-FLATBS_A10C |
| | 3000 | 2' | LED-FLATBS_B2C |
| | | 4' | LED-FLATBS_B4C |
| | | 6' | LED-FLATBS_B6C |
| | | 8' | LED-FLATBS_B8C |
| | | 10' | LED-FLATBS_B10C |
| | 3500 | 2' | LED-FLATBS_C2C |
| | | 4' | LED-FLATBS_C4C |
| | | 6' | LED-FLATBS_C6C |
| | | 8' | LED-FLATBS_C8C |
| | | 10' | LED-FLATBS_C10C |
| | 4000 | 2' | LED-FLATBS_D2C |
| | | 4' | LED-FLATBS_D4C |
| | | 6' | LED-FLATBS_D6C |
| | | 8' | LED-FLATBS_D8C |
| | | 10' | LED-FLATBS_D10C |

C = CLEAR ANODIZED

P = PAINTED

Example: LED-FLATBS12A2C/P

