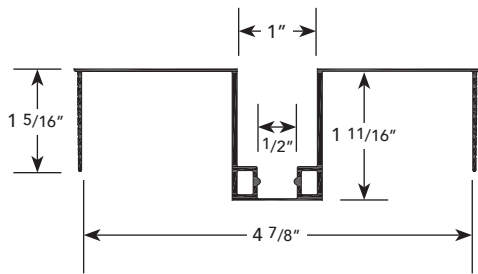
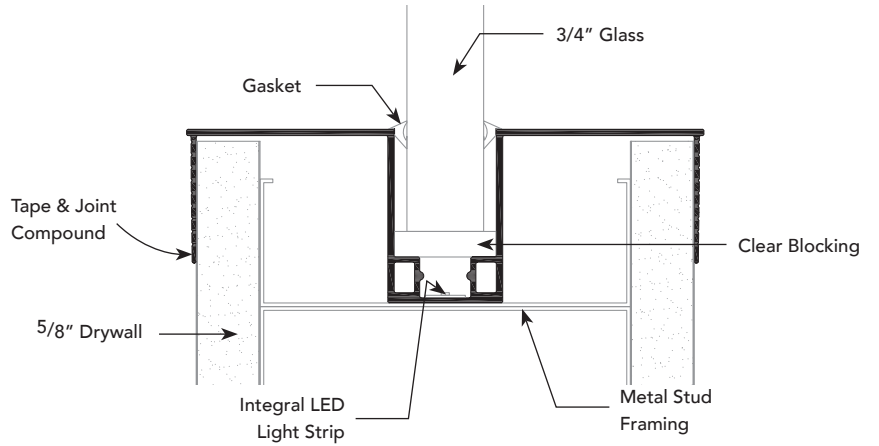


PRODUCT DETAIL

LIGHTED GLAZING TRACK



INSTALLATION DETAIL / Cross Section



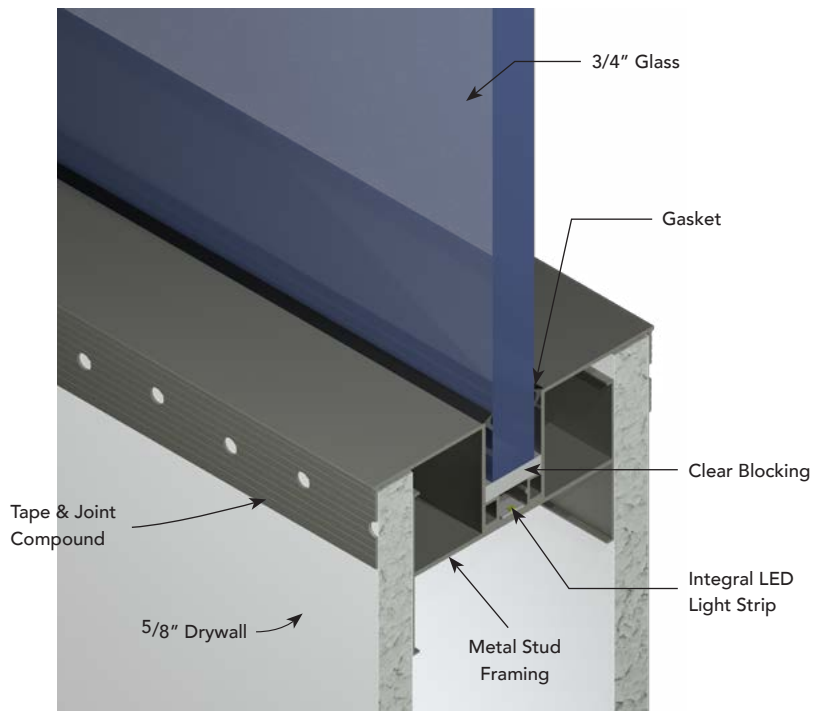
USAGE

Fry Reglet Lighted Glazing Track is designed for 5/8" drywall and provides a continuous band of light along the bottom edge of glass panels. For horizontal applications. Frosted lens included. See A10 for End Closure details.

GUIDE SPECIFICATION

Where indicated on drawings, DMGT Lighted Glazing Track, as manufactured by Fry Reglet Corporation, shall be installed. Aluminum shall be extruded alloy 6063 T5, with clear anodized or powder coat finish. Specify length and Kelvin temperature.

INSTALLATION DETAIL / ISO View



LIGHTING OPTIONS

LIGHTED GLAZING TRACK

LED'S / FT	KELVIN	LENGTH	PART #
32	2700	2'	LED-DMGT_A2C
		4'	LED-DMGT_A4C
		6'	LED-DMGT_A6C
		8'	LED-DMGT_A8C
		10'	LED-DMGT_A10C
	3000	2'	LED-DMGT_B2C
		4'	LED-DMGT_B4C
		6'	LED-DMGT_B6C
		8'	LED-DMGT_B8C
		10'	LED-DMGT_B10C
	3500	2'	LED-DMGT_C2C
		4'	LED-DMGT_C4C
		6'	LED-DMGT_C6C
		8'	LED-DMGT_C8C
		10'	LED-DMGT_C10C
	4000	2'	LED-DMGT_D2C
		4'	LED-DMGT_D4C
		6'	LED-DMGT_D6C
		8'	LED-DMGT_D8C
		10'	LED-DMGT_D10C

C = CLEAR ANODIZED

P = PAINTED