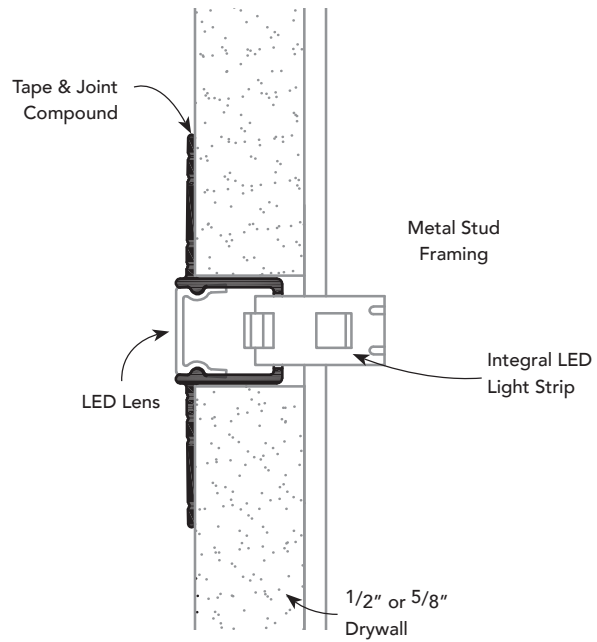
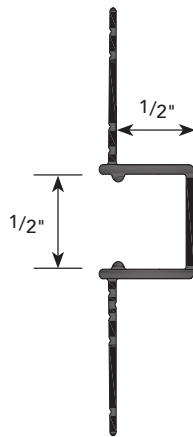


## PRODUCT DETAIL

RVL5050



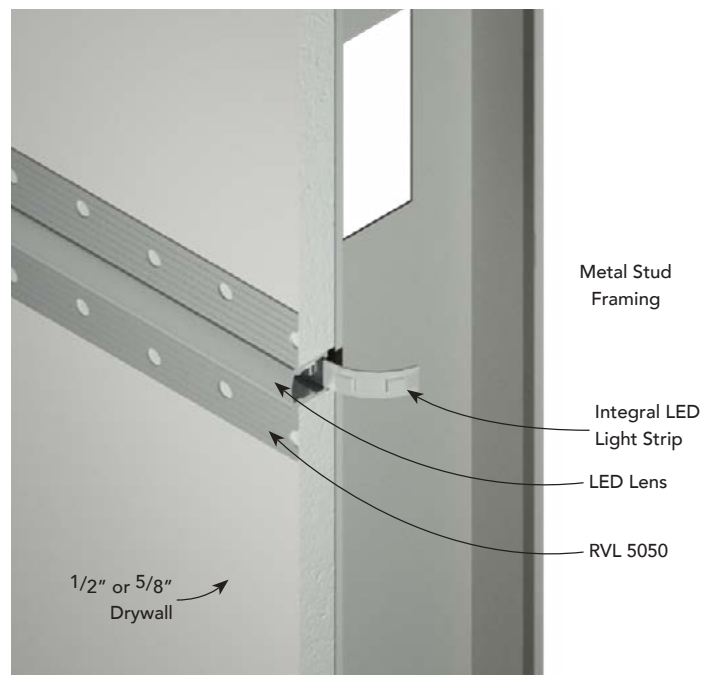
### USAGE

Fry Reglet RVL5050 installs in 1/2" or 5/8" drywall and provides a continuous band of light. RVL5050 can be installed in a horizontal, vertical and ceiling application. Frosted lens included.

### GUIDE SPECIFICATION

Where indicated on drawings, Fry Reglet RVL5050, as manufactured by Fry Reglet Corporation, shall be installed. Aluminum shall be extruded alloy 6063 T5, with clear anodized or powder coat finish. Specify length and Kelvin temperature.

## INSTALLATION DETAIL / ISO View



LIGHTING OPTIONS

RVL5050

LED'S / FT	KELVIN	LENGTH	PART #
32	2700	2'	LED-RVL5050A2C
		4'	LED-RVL5050A4C
		6'	LED-RVL5050A6C
		8'	LED-RVL5050A8C
		10'	LED-RVL5050A10C
	3000	2'	LED-RVL5050B2C
		4'	LED-RVL5050B4C
		6'	LED-RVL5050B6C
		8'	LED-RVL5050B8C
		10'	LED-RVL5050B10C
	3500	2'	LED-RVL5050C2C
		4'	LED-RVL5050C4C
		6'	LED-RVL5050C6C
		8'	LED-RVL5050C8C
		10'	LED-RVL5050C10C
	4000	2'	LED-RVL5050D2C
		4'	LED-RVL5050D4C
		6'	LED-RVL5050D6C
		8'	LED-RVL5050D8C
		10'	LED-RVL5050D10C

C = CLEAR ANODIZED

P = PAINTED