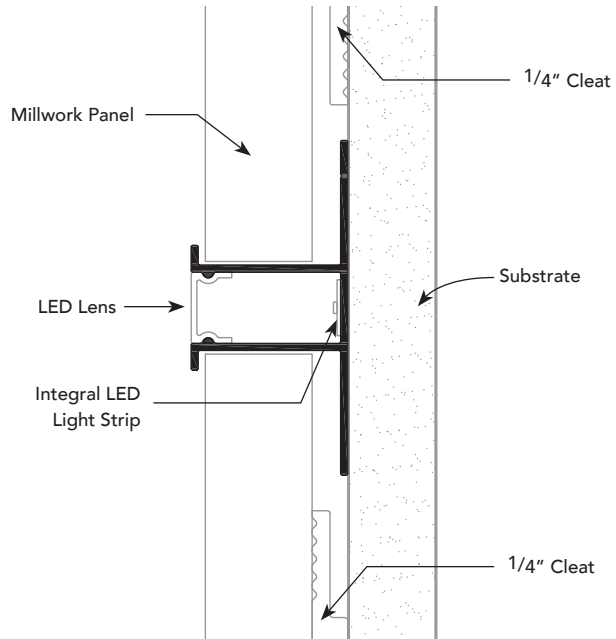
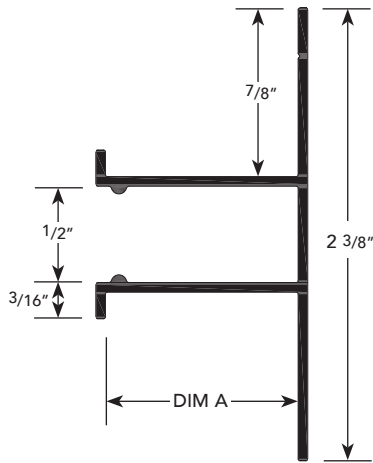


PRODUCT DETAIL

INSTALLATION DETAIL / Cross Section

LIGHTED MILLWORK CHANNEL  
W/ RETURN KEYS



USAGE

Fry Reglet Lighted Millwork Channel with exposed return keys installs with 1/2", 3/4" or 1" millwork panels, features exposed return keys to cover cut edges of millwork panels, and provides a continuous band of light horizontally or vertically. Frosted lens included.

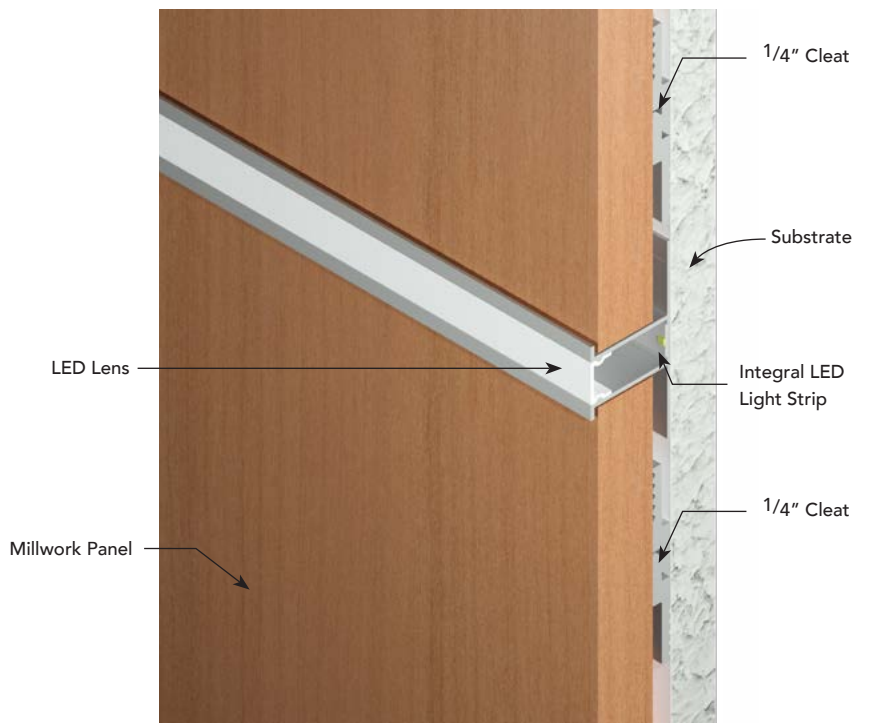
GUIDE SPECIFICATION

Where indicated on drawings, Lighted Millwork Channel with exposed return keys, as manufactured by Fry Reglet Corporation, shall be installed. Aluminum shall be extruded alloy 6063 T5, with clear anodized, colored anodized or powder coat finish. Specify length and Kelvin temperature.

SIZES

DIM A	NUMBER
1/2"	LED-MWC5050
3/4"	LED-MWC7550
1"	LED-MWC10050

INSTALLATION DETAIL / ISO View



LIGHTING OPTIONS

LIGHTED MILLWORK CHANNEL W/ RETURN KEYS

LED'S / FT	KELVIN	LENGTH	PART #
32	2700	2'	LED-MWC_A2C
		4'	LED-MWC_A4C
		6'	LED-MWC_A6C
		8'	LED-MWC_A8C
		10'	LED-MWC_A10C
	3000	2'	LED-MWC_B2C
		4'	LED-MWC_B4C
		6'	LED-MWC_B6C
		8'	LED-MWC_B8C
		10'	LED-MWC_B10C
	3500	2'	LED-MWC_C2C
		4'	LED-MWC_C4C
		6'	LED-MWC_C6C
		8'	LED-MWC_C8C
		10'	LED-MWC_C10C
	4000	2'	LED-MWC_D2C
		4'	LED-MWC_D4C
		6'	LED-MWC_D6C
		8'	LED-MWC_D8C
		10'	LED-MWC_D10C

C = CLEAR ANODIZED

P = PAINTED

Example: LED-MWC10050A2C/P

