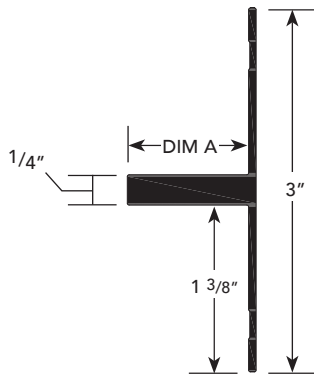
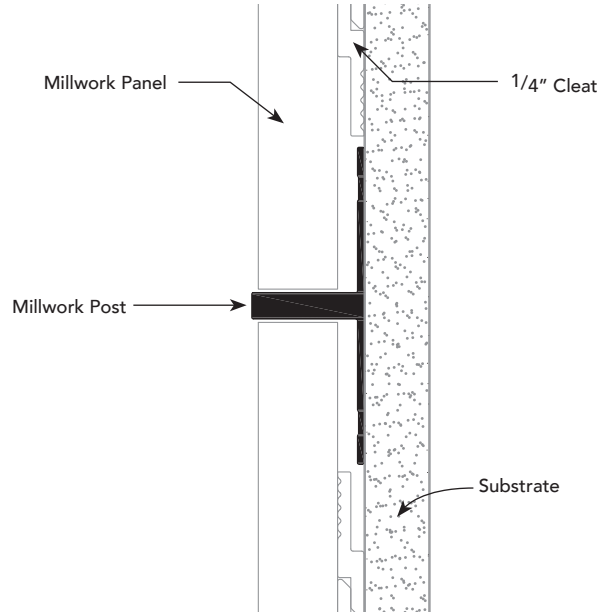


PRODUCT DETAIL

MILLWORK POST



INSTALLATION DETAIL / Cross Section



USAGE

Fry Reglet Millwork Channel Post with 1/4" post installs with 1/2", 3/4" or 1" millwork panels and provides a 1/4" thick, straight and uniform post horizontally or vertically between panels.

GUIDE SPECIFICATION

Where indicated on drawings, Millwork Post with 1/4" post, as manufactured by Fry Reglet Corporation, shall be installed. Aluminum shall be extruded alloy 6063 T5, with clear anodized, colored anodized or powder coat finish.

SIZES

DIM A	NUMBER
1/2"	MWP50
3/4"	MWP75
1"	MWP100

INSTALLATION DETAIL / ISO View

