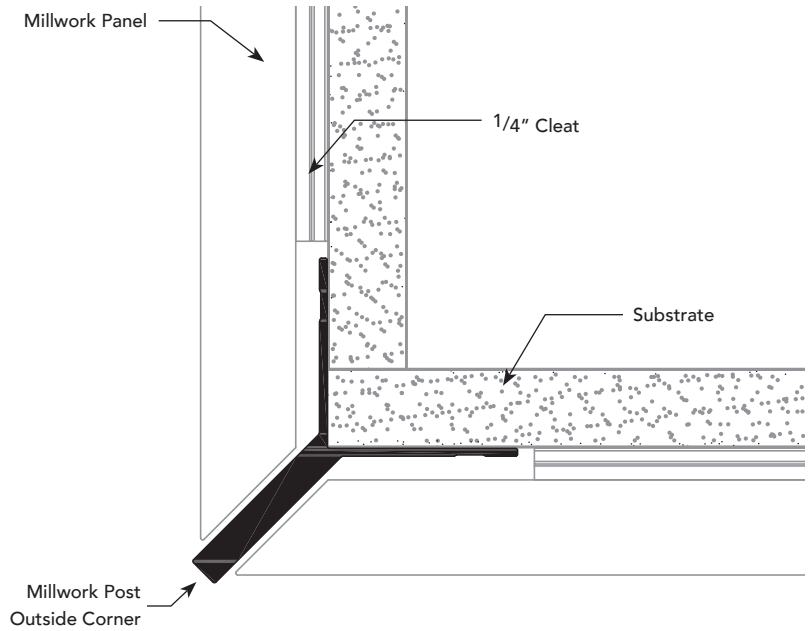
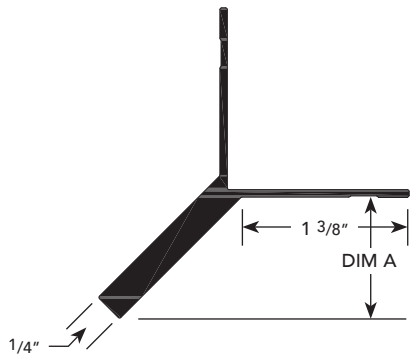


PRODUCT DETAIL

INSTALLATION DETAIL / Cross Section

MILLWORK POST
OUTSIDE CORNER



USAGE

Fry Reglet Millwork Post Outside Corner installs with 1/2", 3/4" or 1" millwork panels at 90 degree outside corners, is abuse resistant, and provides a straight and uniform 1/4" exposed post at edges of millwork panels.

GUIDE SPECIFICATION

Where indicated on drawings, Millwork Post Outside Corner, as manufactured by Fry Reglet Corporation, shall be installed. Aluminum shall be extruded alloy 6063 T5, with clear anodized, colored anodized or powder coat finish.

SIZES

DIM A	NUMBER
1/2"	MWPOSC50
3/4"	MWPOSC75
1"	MWPOSC100

INSTALLATION DETAIL / ISO View

