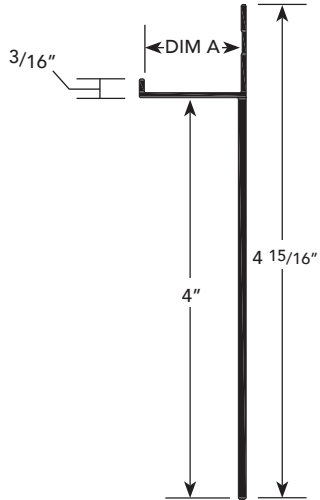


PRODUCT DETAIL



USAGE

Fry Reglet 4" Millwork Channel Base with return key installs with 1/2", 3/4" or 1" millwork panels and features an exposed 3/16" return keys to cover cut edges of millwork panels, and a 4" base flange that provides a straight, uniform base horizontally at the bottom of millwork panels.

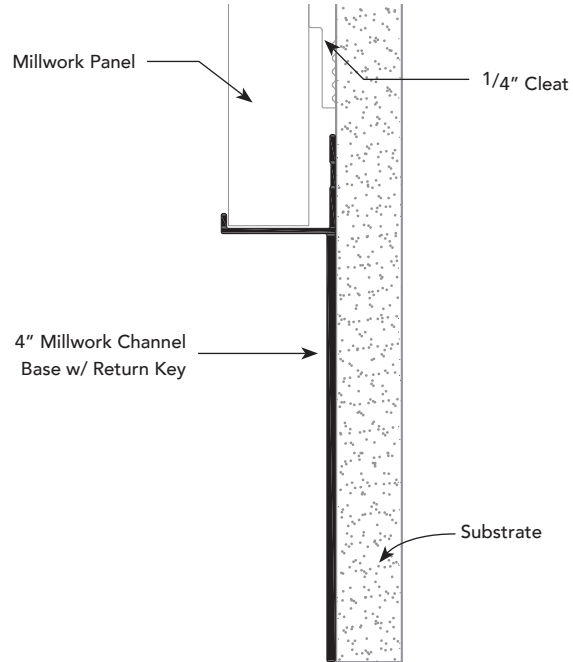
GUIDE SPECIFICATION

Where indicated on drawings, 4" Millwork Channel Base with return key, as manufactured by Fry Reglet Corporation, shall be installed. Aluminum shall be extruded alloy 6063 T5, with clear anodized, colored anodized or powder coat finish.

SIZES

DIM A	NUMBER
1/2"	MWCB50400
3/4"	MWCB75400
1"	MWCB100400

INSTALLATION DETAIL / Cross Section



4" MILLWORK CHANNEL BASE W/ RETURN KEY

INSTALLATION DETAIL / ISO View

