

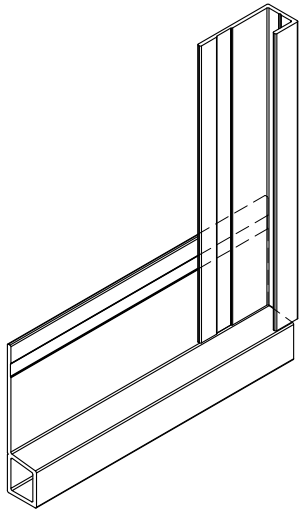
1 FCP ISOMETRIC
SCALE: NTS

*Fiber Cement Panel Trim
Isometric*

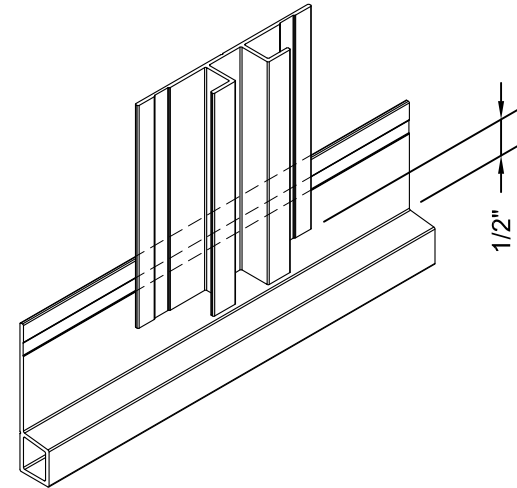
FRYREGLET
ARCHITECTURAL METALS
ALPHARETTA, GA - SANTA FE SPRINGS, CA
WWW.FRYREGLET.COM

DRAWING NO.

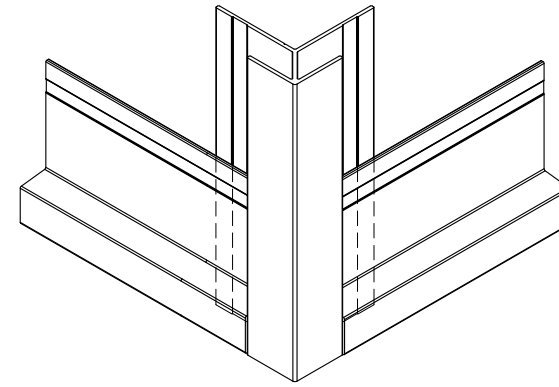
FCP-0



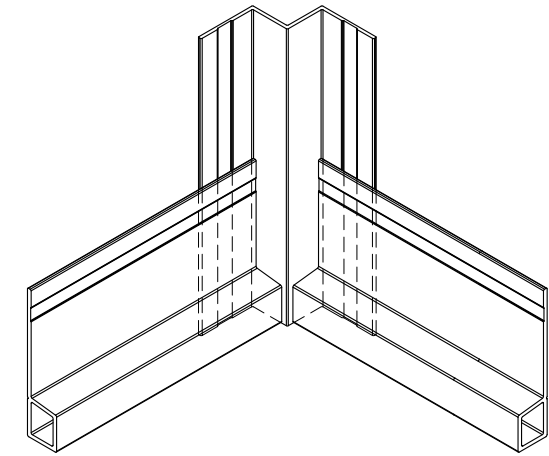
1 BASE / J CHANNEL
SCALE: NTS



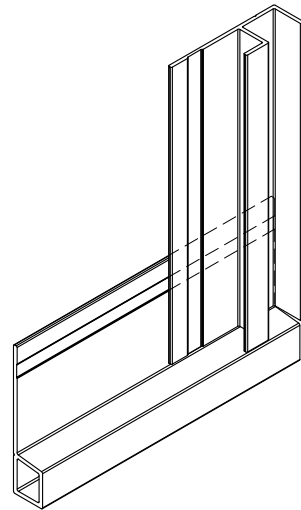
4 BASE / VERTICAL MOLDING
SCALE: NTS



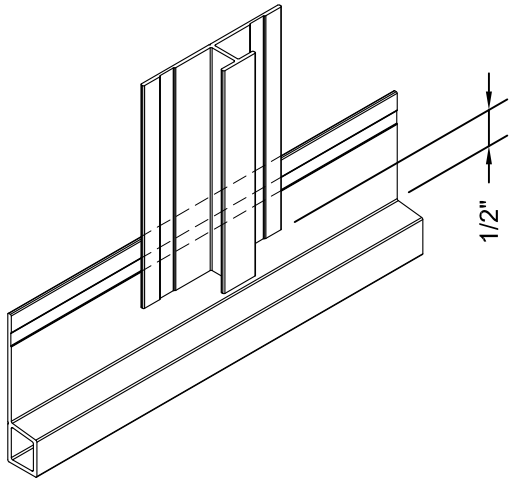
7 BASE / INTEGRAL
OUTSIDE CORNER
SCALE: NTS



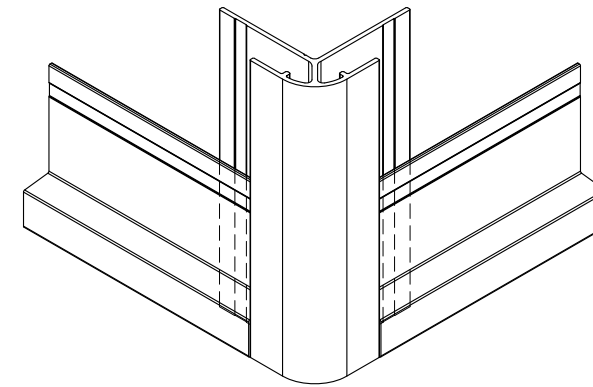
10 BASE /
INSIDE CORNER
SCALE: NTS



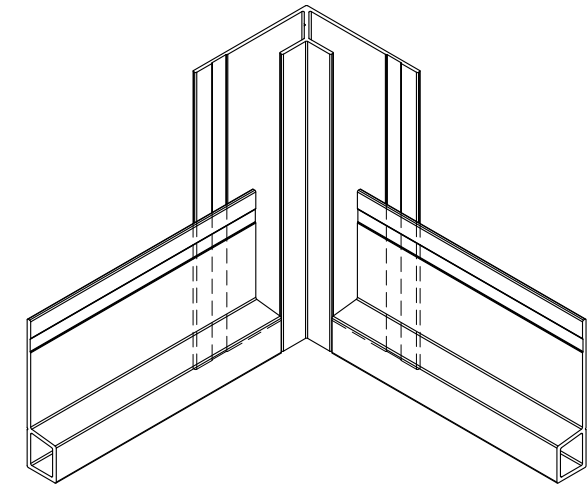
2 BASE / F MOLDING
SCALE: NTS



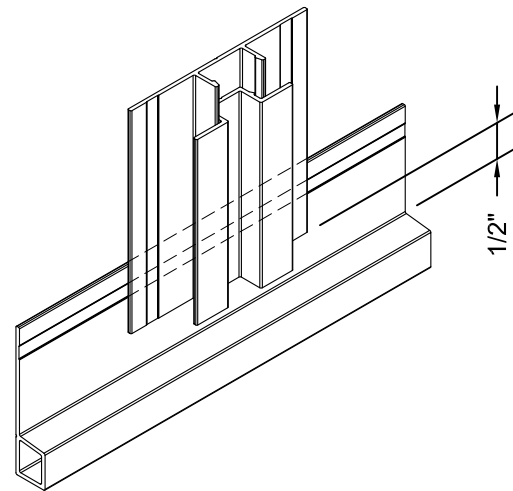
5 BASE / H MOLDING
SCALE: NTS



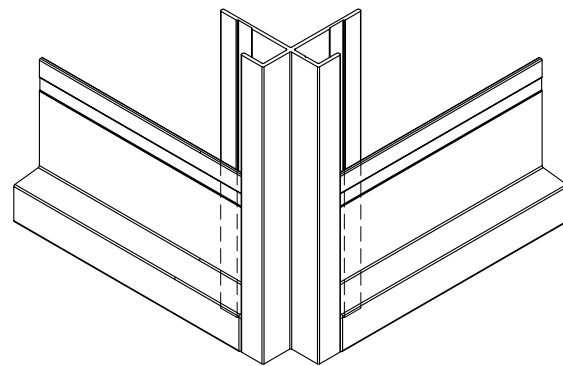
8 BASE / BULLNOSE
OUTSIDE CORNER
SCALE: NTS



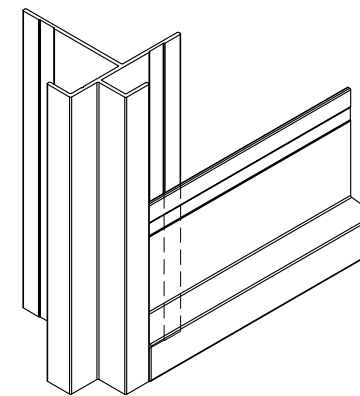
11 BASE / INTEGRAL
INSIDE CORNER
SCALE: NTS



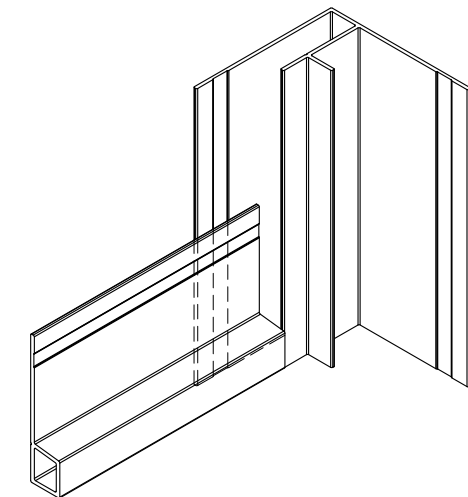
3 BASE / VERTICAL INSERT
& VERTICAL RETAINER
SCALE: NTS



6 BASE /
OUTSIDE CORNER
SCALE: NTS



9 BASE / OUTSIDE
CORNER TRANSITION
SCALE: NTS



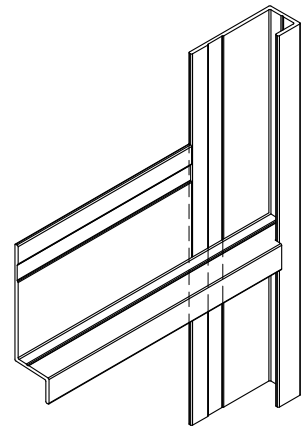
12 BASE / INSIDE
CORNER TRANSITION
SCALE: NTS

Fiber Cement Panel Trim
Base Joinery Details

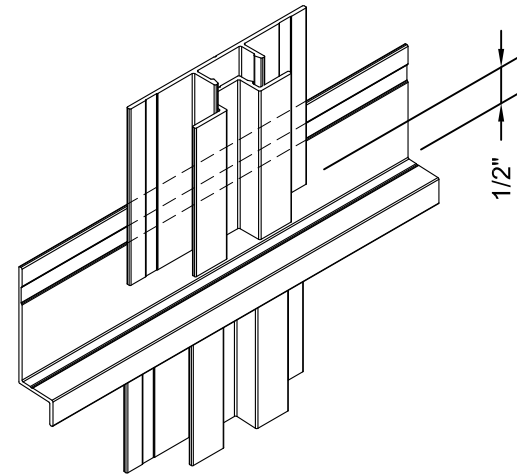
FRYREGLET
ARCHITECTURAL METALS
ALPHARETTA, GA - SANTA FE SPRINGS, CA
WWW.FRYREGLET.COM

DRAWING NO.

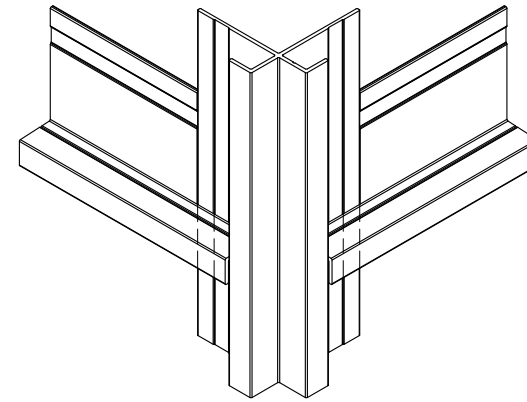
FCP-1



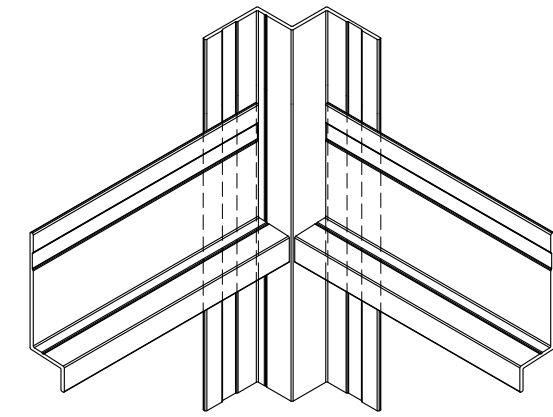
1 NOTCHED HORIZONTAL / J MOLDING
SCALE: NTS



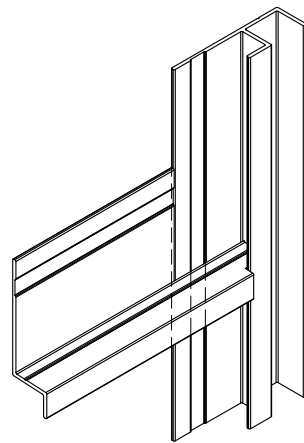
4 HORIZONTAL / VERTICAL INSERT & VERTICAL RETAINER
SCALE: NTS



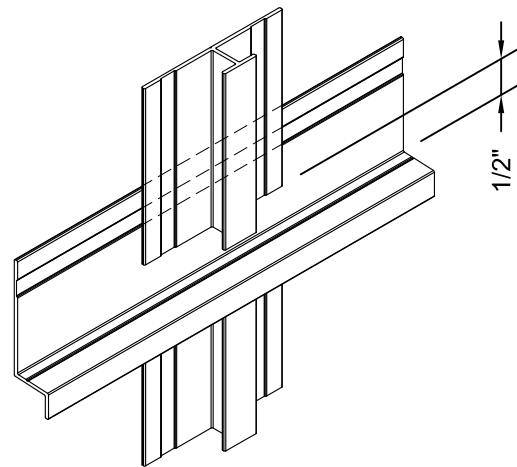
7 NOTCHED HORIZONTAL / OUTSIDE CORNER
SCALE: NTS



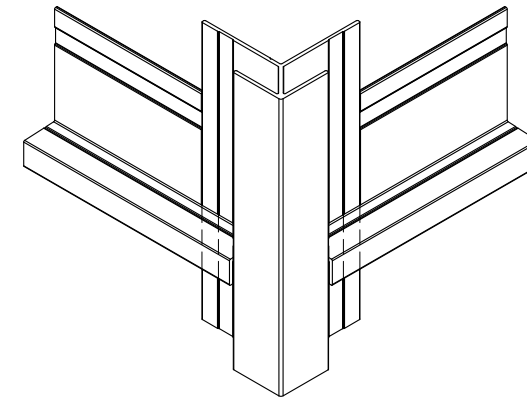
10 HORIZONTAL / INSIDE CORNER
SCALE: NTS



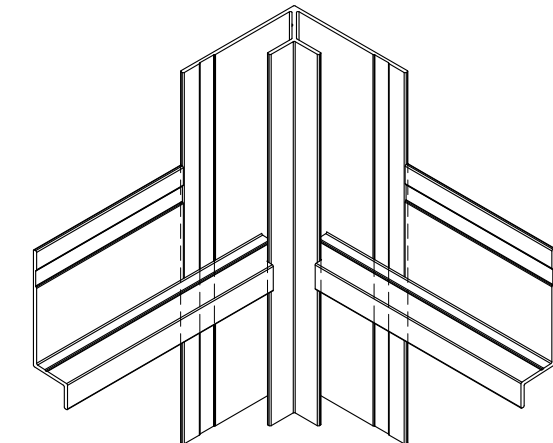
2 NOTCHED HORIZONTAL / F MOLDING
SCALE: NTS



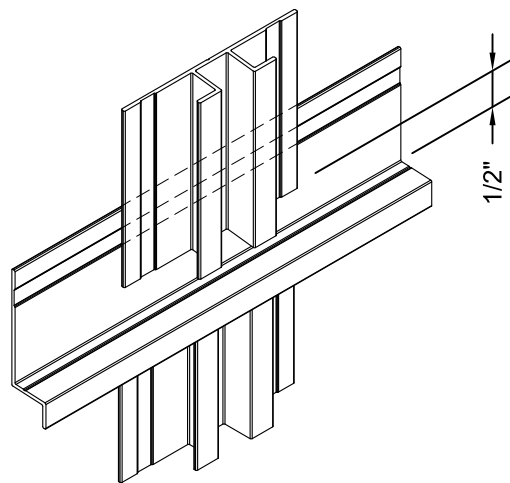
5 HORIZONTAL / VERTICAL H MOLDING
SCALE: NTS



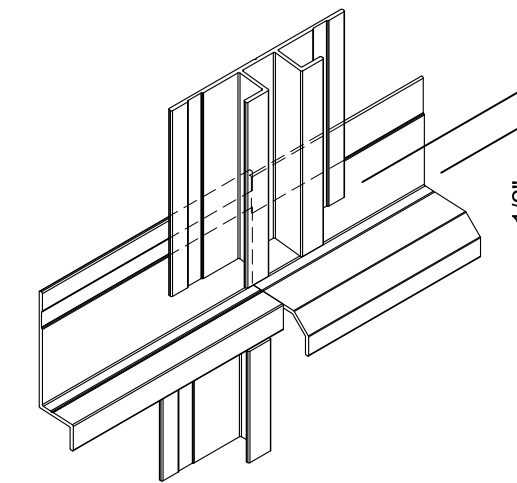
8 NOTCHED HORIZONTAL / INTEGRAL OUTSIDE CORNER
SCALE: NTS



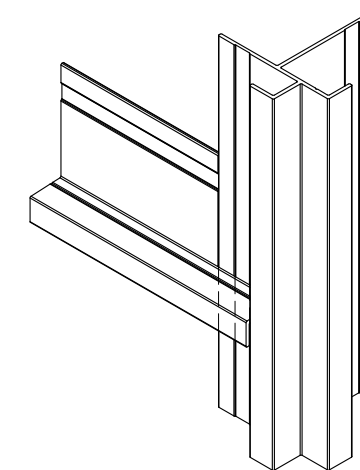
11 NOTCHED HORIZONTAL / INTEGRAL INSIDE CORNER
SCALE: NTS



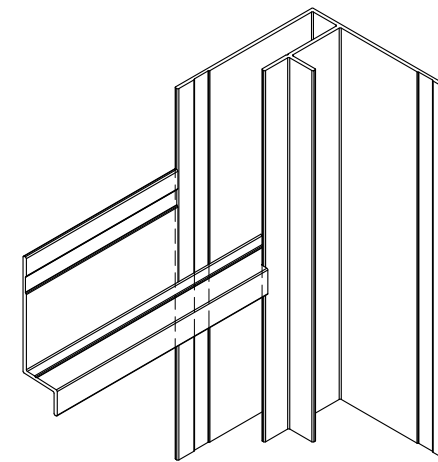
3 HORIZONTAL / VERTICAL MOLDING
SCALE: NTS



6 HORIZONTAL / J MOLDING & DRIP CAP
SCALE: NTS



9 NOTCHED HORIZONTAL / OUTSIDE CORNER TRANSITION
SCALE: NTS



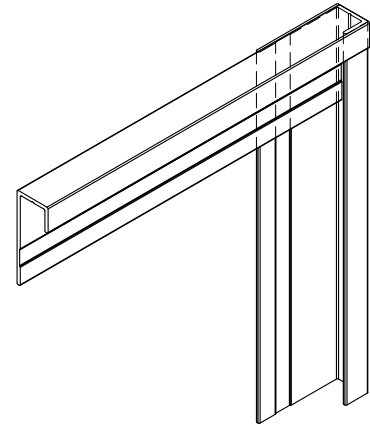
12 NOTCHED HORIZONTAL / INSIDE CORNER TRANSITION
SCALE: NTS

Fiber Cement Panel Trim
Horizontal Joinery Details

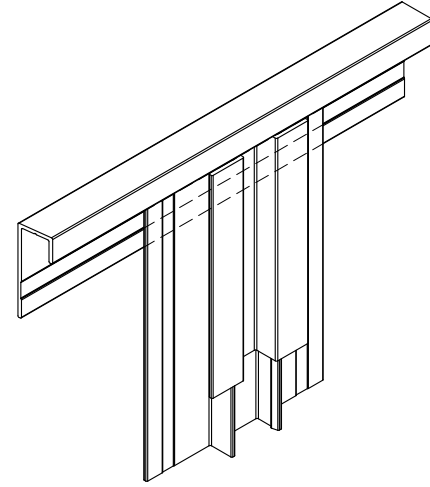
FRYREGLET
ARCHITECTURAL METALS
ALPHARETTA, GA - SANTA FE SPRINGS, CA
WWW.FRYREGLET.COM

DRAWING NO.

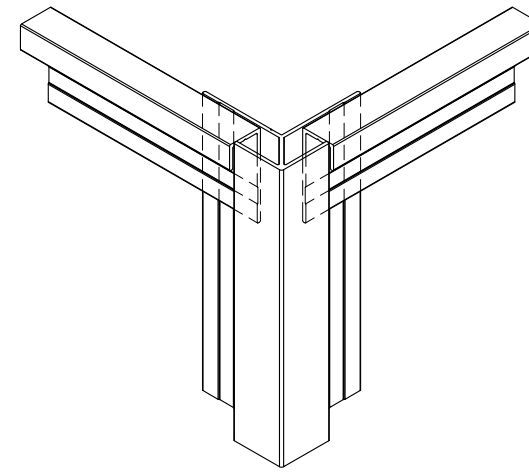
FCP-2



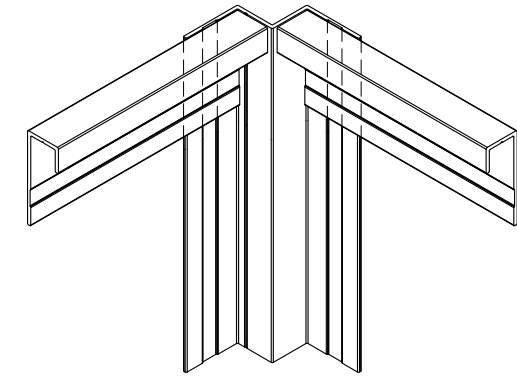
1 J CHANNEL / J CHANNEL
SCALE: NTS



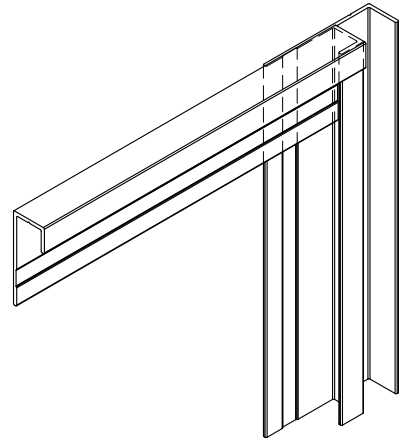
4 J CHANNEL / VERTICAL INSERT
& VERTICAL RETAINER
SCALE: NTS



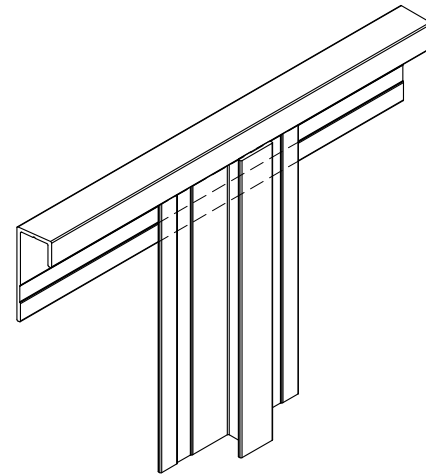
7 J CHANNEL / INTEGRAL
OUTSIDE CORNER
SCALE: NTS



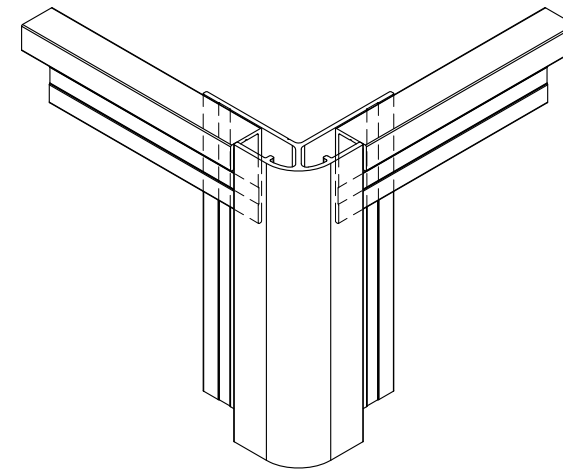
10 J CHANNEL /
INSIDE CORNER
SCALE: NTS



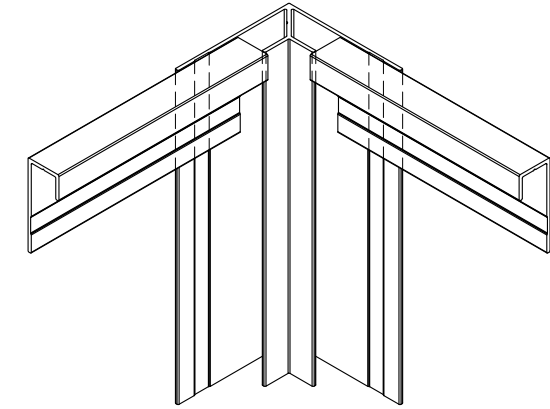
2 J CHANNEL / F MOLDING
SCALE: NTS



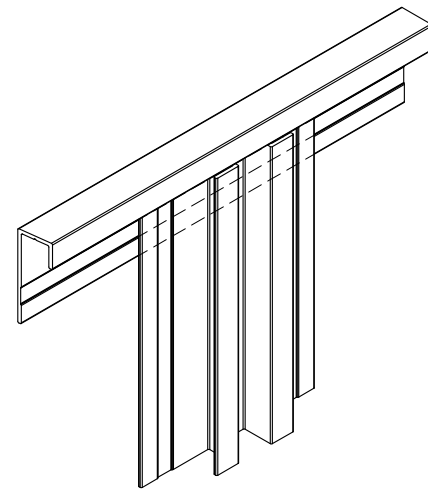
5 J CHANNEL /
VERTICAL H MOLDING
SCALE: NTS



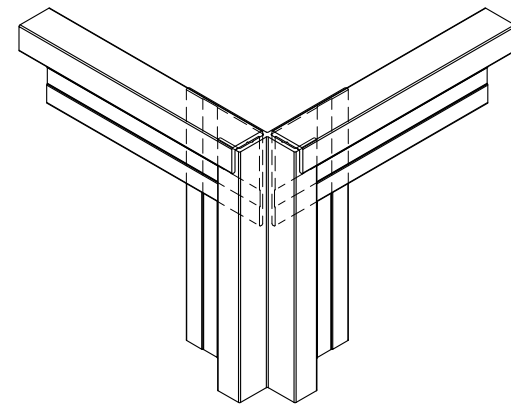
8 J CHANNEL / BULLNOSE
OUTSIDE CORNER
SCALE: NTS



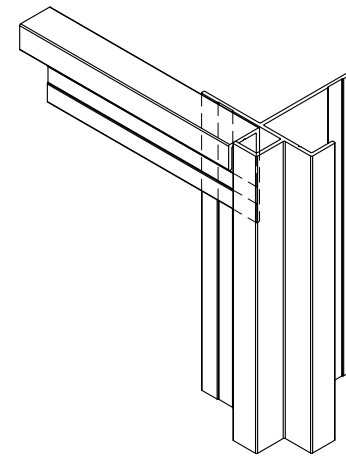
11 J CHANNEL / INTEGRAL
INSIDE CORNER
SCALE: NTS



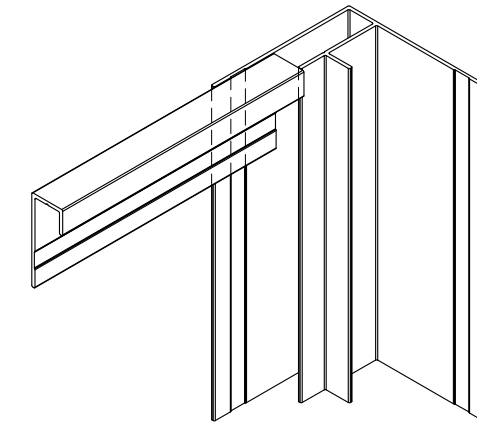
3 J CHANNEL /
VERTICAL MOLDING
SCALE: NTS



6 J CHANNEL /
OUTSIDE CORNER
SCALE: NTS



9 J CHANNEL / OUTSIDE
CORNER TRANSITION
SCALE: NTS



12 J CHANNEL / INSIDE
CORNER TRANSITION
SCALE: NTS

Fiber Cement Panel Trim
Head Joinery Details

FRYREGLET
ARCHITECTURAL METALS
ALPHARETTA, GA - SANTA FE SPRINGS, CA
WWW.FRYREGLET.COM

DRAWING NO.

FCP-3