

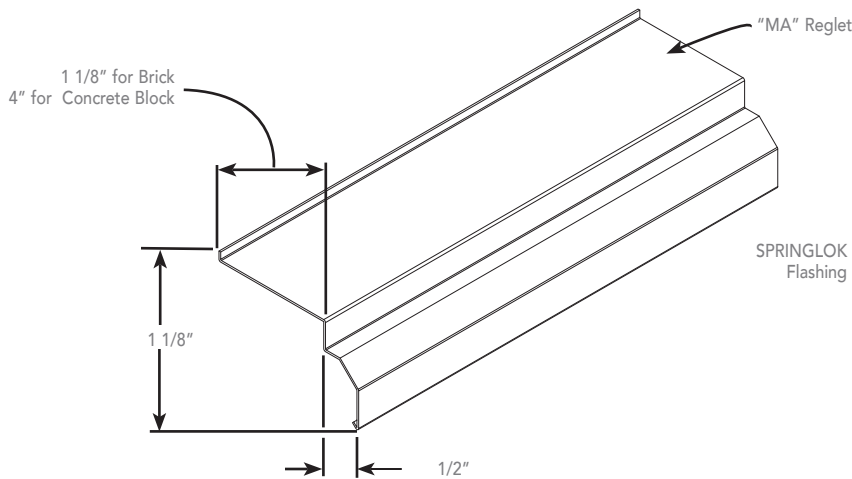
Specially manufactured for masonry applications, this reglet is laid into masonry joints and held in place with mortar.

FEATURES AND BENEFITS

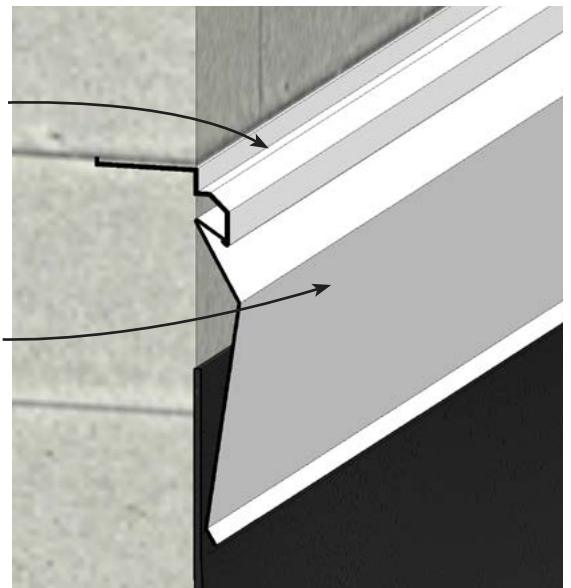
- Encasing in mortar joint prevents against water penetration
- Type MA Reglet is designed with a 1 1/2" top flange for brick construction
- Type MA-4 Reglet is designed with a 4" flange for concrete block construction
- 1" end lap allows for proper alignment and eliminates leaky butt joints
- Roll formed to ensure precise fit every time

PRODUCT DESCRIPTION:

| MATERIAL | THICKNESS | FINISH | COLOR |
|---------------------------|------------------|-----------------------------|---------------|
| Galvanized Steel | 24 gage | Standard Zinc Finish | N/A |
| Galvanized Steel | 24 gage | Kynar 500 / Hylar 500 | Specify color |
| Galvanized Steel | 24 gage | Factor Applied Powder Paint | Specify color |
| Copper | 16oz | Standard Uncoated Finish | N/A |
| Aluminum | 0.025" / 0.040" | Polyester Coating | Grey |
| Stainless Steel, Type 304 | 0.020" | Standard Uncoated Finish | N/A |



PRODUCT DETAIL



ASSEMBLY DETAIL