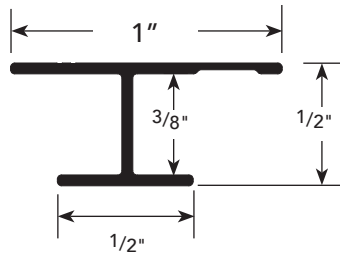


A.45

PRODUCT DETAIL

VERTICAL H SLIM TRIM



USAGE

Fry Reglet FCP Vertical H Slim Trim profile provides a consistent, durable transition between vertical siding members. The 1/2" spline covers the panel's edges creating a vertical design element. Also, ideal for soffit conditions. The FCP Vertical H Slim Trim is designed as a general-purpose H molding independent from the reveal system, ideal for wall and soffit applications. Available in a primed finish and 8' lengths.

GUIDE SPECIFICATION

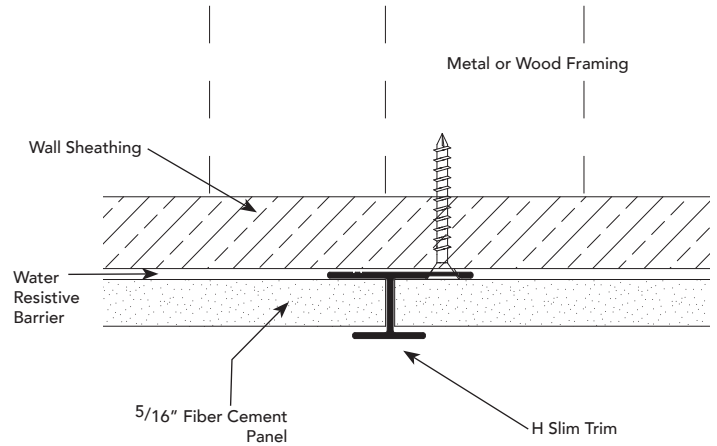
Where indicated on drawings, Fry Reglet FCP Vertical H Slim Trim, as manufactured by Fry Reglet Corporation, shall be installed per manufacturer's recommendations. Aluminum shall be extruded alloy 6063 T5, with primed finish, clear anodized or other specified finish. Refer to finish section.

NOTE: Not to be used installed horizontally in wall applications.

SIZES

REVEAL DEPTH	NUMBER
NOM. 3/8"	FCP-H-SLIM

INSTALLATION DETAIL / Cross Section



INSTALLATION DETAIL / ISO View

