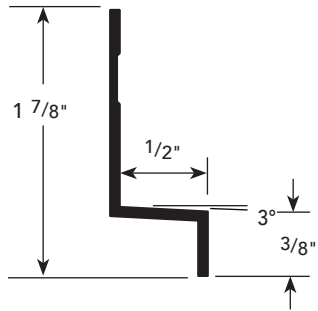


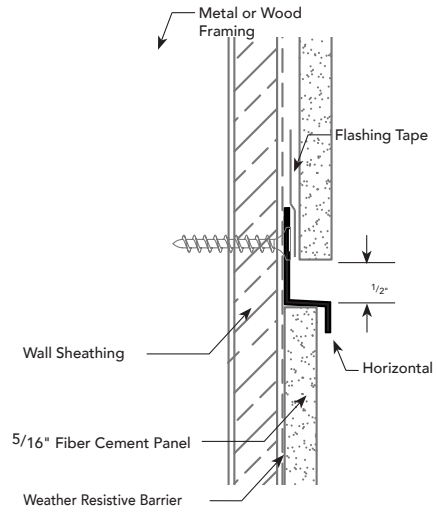
PRODUCT DETAIL



INSTALLATION DETAIL / Cross Section

A.10

HORIZONTAL



USAGE

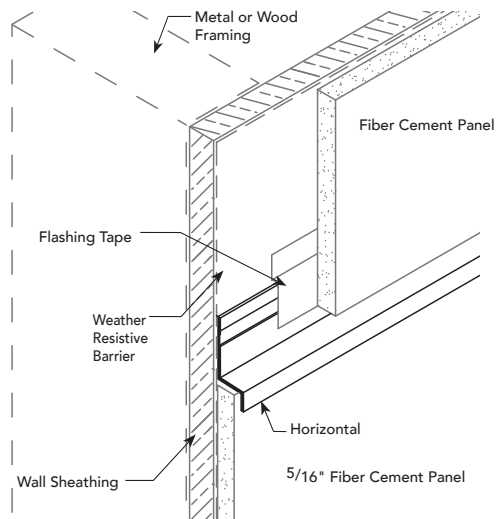
Fry Reglet FCP Horizontal creates an attractive reveal between horizontal ends of the fiber cement panels. The profile is angled to channel moisture out. Available with notched ends to provide clean joinery with vertical members.

GUIDE SPECIFICATION

Where indicated on drawings, Fry Reglet Horizontal, as manufactured by Fry Reglet Corporation, shall be installed. Aluminum shall be extruded alloy 6063 T5, with primed finish, clear anodized or other specified finish. Refer to finish section.

NOTE: Attach panel in accordance with the manufacturers fastening schedule.

INSTALLATION DETAIL / ISO View



SIZES

REVEAL DEPTH	NUMBER
NOM. 1/2"	FCP-HOZ TRIM