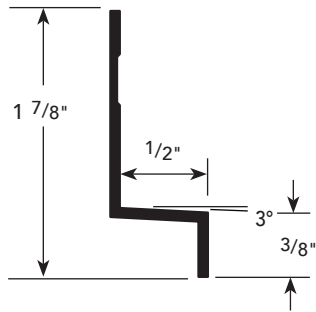


A.11

PRODUCT DETAIL

HORIZONTAL NOTCH



USAGE

Fry Reglet FCP Horizontal Notch allows for perfect alignment between vertical and horizontal FCP Trim profiles and prevents gaps or offsets. Available in 5' lengths opposite hand pairs. This works with - J Channel, Outside Corner, Integral Outside Corner, Integral Inside Corner, Bullnose Corner, Outside Corner Transition and Inside Corner transition.

GUIDE SPECIFICATION

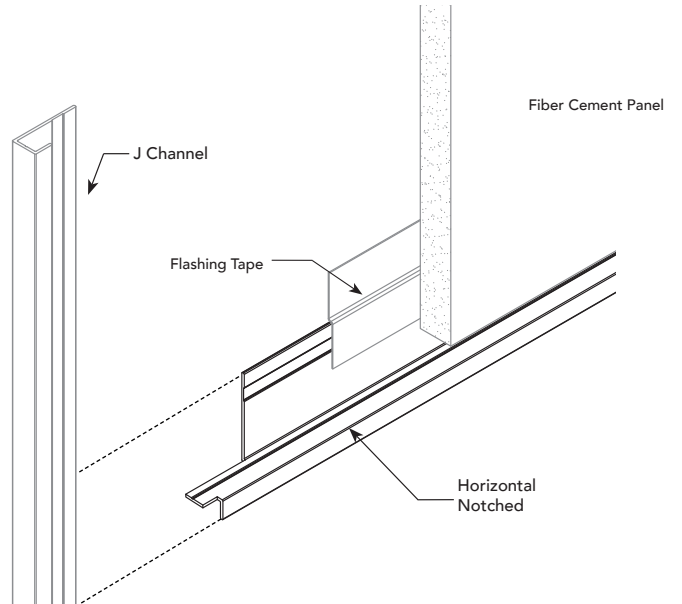
Where indicated on drawings, Fry Reglet Horizontal, as manufactured by Fry Reglet Corporation, shall be installed. Aluminum shall be extruded alloy 6063 T5, with primed finish, clear anodized or other specified finish. Refer to finish section.

NOTE: To be used in a horizontal application only. Attach panel in accordance with the manufacturers fastening schedule.

SIZES

REVEAL DEPTH	NUMBER
NOM. 1/2"	FCP-HOZ NOTCH

INSTALLATION DETAIL / Cross Section



INSTALLATION DETAIL / ISO View

