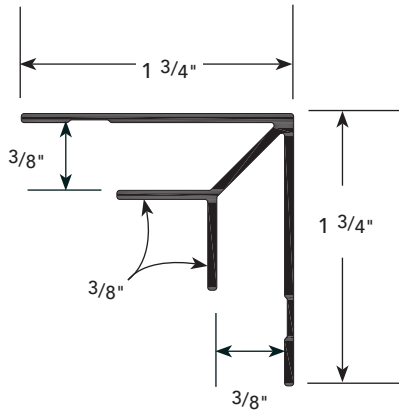


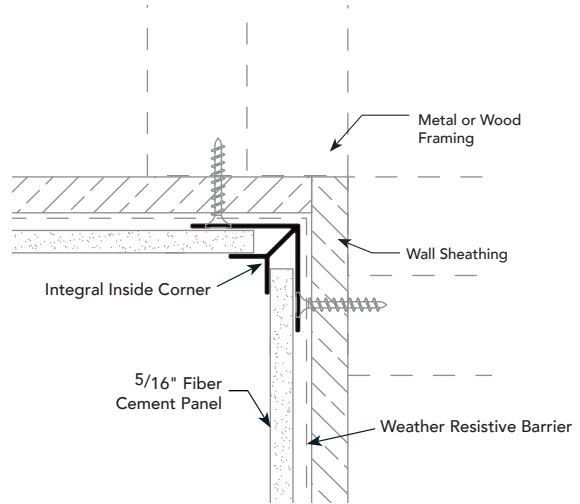
A.15

PRODUCT DETAIL

**INTEGRAL
INSIDE CORNER**



INSTALLATION DETAIL / Cross Section



USAGE

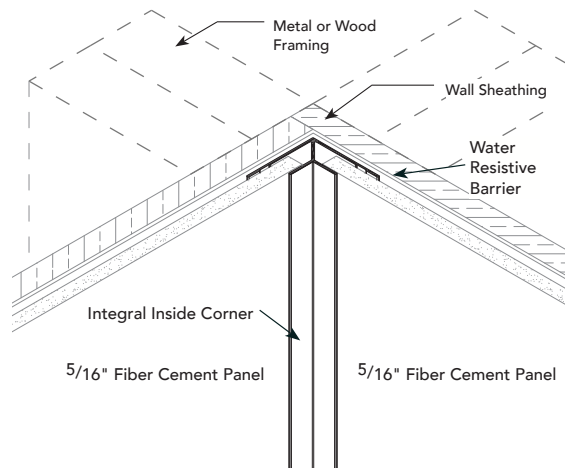
Fry Reglet FCP Integral Inside Corner creates a traditional corner shape for 5/16" fiber cement panels, the trim design eliminates the need to miter cut the panels, while also mitigating the possibility of panel bow.

GUIDE SPECIFICATION

Where indicated on drawings, Fry Reglet Integral Inside Corner, as manufactured by Fry Reglet Corporation, shall be installed. Aluminum shall be extruded alloy 6063 T5, with primed finish, clear anodized or other specified finish. Refer to finish section.

NOTE: Attach panel in accordance with the manufacturers fastening schedule.

INSTALLATION DETAIL / ISO View



SIZES

REVEAL DEPTH	NUMBER
3/8"	FCP-INTISCNR