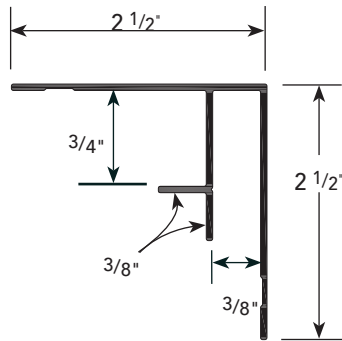
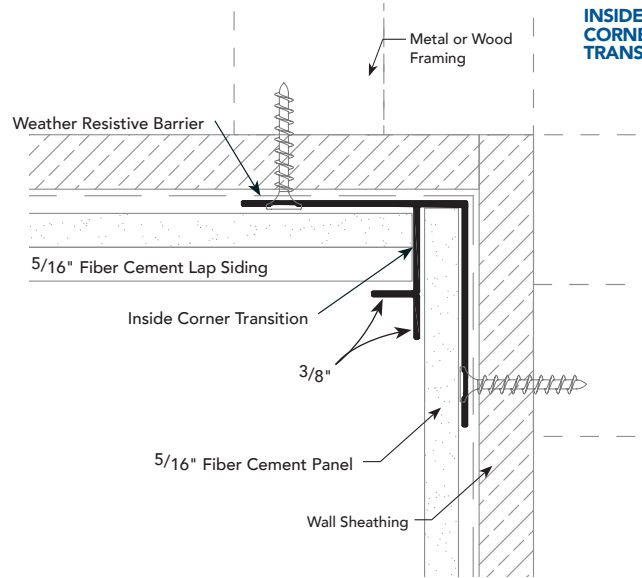


**PRODUCT DETAIL**



**INSTALLATION DETAIL / Cross Section**

**A.16**



**INSIDE CORNER TRANSITION**

**USAGE**

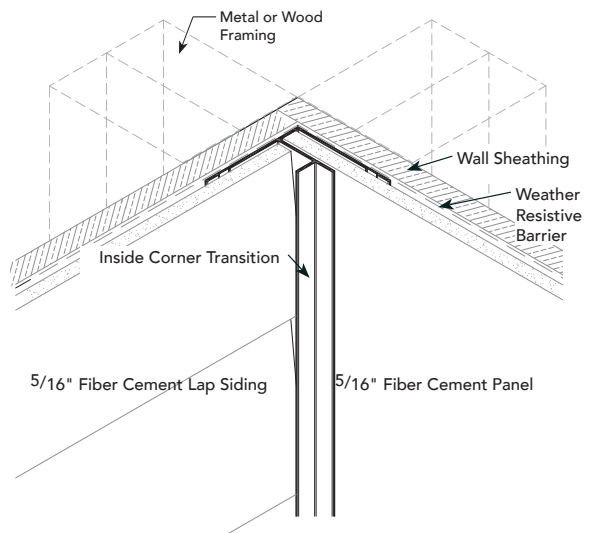
Fry Reglet FCP Inside Corner Transition creates a traditional corner shape and provides a seamless transition between lap and panel siding.

**GUIDE SPECIFICATION**

Where indicated on drawings, Fry Reglet Inside Corner Transition, as manufactured by Fry Reglet Corporation, shall be installed. Aluminum shall be extruded alloy 6063 T5, with primed finish, clear anodized or other specified finish. Refer to finish section.

**NOTE:** Attach panel in accordance with the manufacturers fastening schedule.

**INSTALLATION DETAIL / ISO View**



**SIZES**

| REVEAL DEPTH | NUMBER       |
|--------------|--------------|
| 3/8"         | FCP-I/SCRNTR |