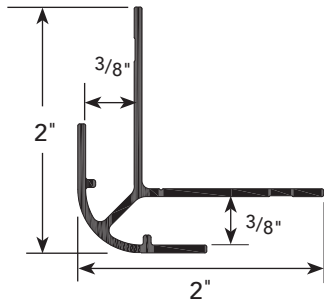


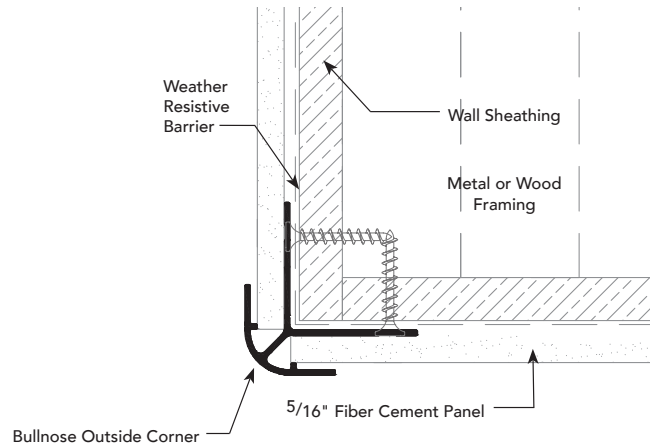
A.19

PRODUCT DETAIL

BULLNOSE
OUTSIDE
CORNER



INSTALLATION DETAIL / Cross Section



USAGE

Fry Reglet FCP Bullnose Outside Corner creates a straight and true, abuse resistant rounded corner with exposed flanges that cover the vertical ends of the 5/16" fiber cement panel. The shape eliminates the need for panels to be miter cut, while also mitigating the possibility of panel bow.

GUIDE SPECIFICATION

Where indicated on drawings, Fry Reglet Bullnose Outside Corner, as manufactured by Fry Reglet Corporation, shall be installed. Aluminum shall be extruded alloy 6063 T5, with primed finish, clear anodized or other specified finish. Refer to finish section.

NOTE: Attach panel in accordance with the manufacturers fastening schedule. Not to be used in horizontal applications.

SIZES

REVEAL DEPTH	NUMBER
NOM. 3/8"	FCP-BULLNOSE

INSTALLATION DETAIL / ISO View

