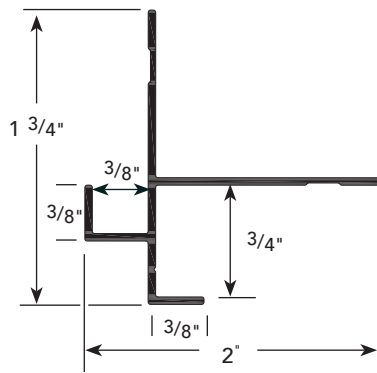


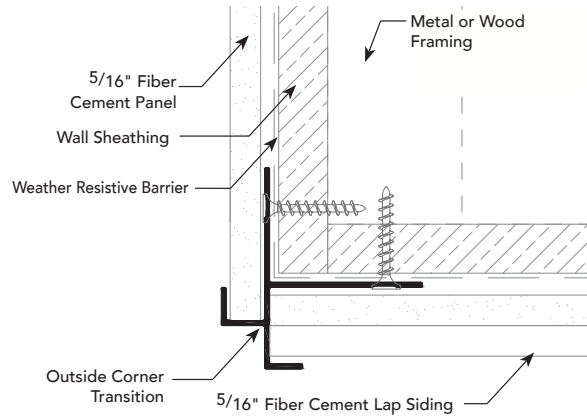
PRODUCT DETAIL



INSTALLATION DETAIL / Cross Section

A.20

OUTSIDE CORNER TRANSITION



USAGE

Fry Reglet FCP Outside Corner Transition creates a straight and true, abuse resistant corner with exposed flanges that cover the vertical ends of the fiber cement panels.

GUIDE SPECIFICATION

Where indicated on drawings, Fry Reglet Outside Corner Transition, as manufactured by Fry Reglet Corporation, shall be installed. Aluminum shall be extruded alloy 6063 T5, with primed finish, clear anodized or other specified finish. Refer to finish section.

NOTE: Attach panel in accordance with the manufacturers fastening schedule. Not to be used in horizontal applications.

SIZES

REVEAL DEPTH	REVEAL DEPTH	NUMBER
NOM. 3/8"	NOM. 3/4"	FCP-O/SCRNTR

INSTALLATION DETAIL / ISO View

