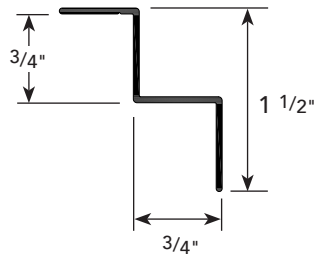


A.23

PRODUCT DETAIL

W INSIDE CORNER LAP TRIM



USAGE

Fry Reglet FCP W Inside Corner Lap Trim provides a crisp reveal for 5/16" fiber cement panels when installed in a lap style application.

GUIDE SPECIFICATION

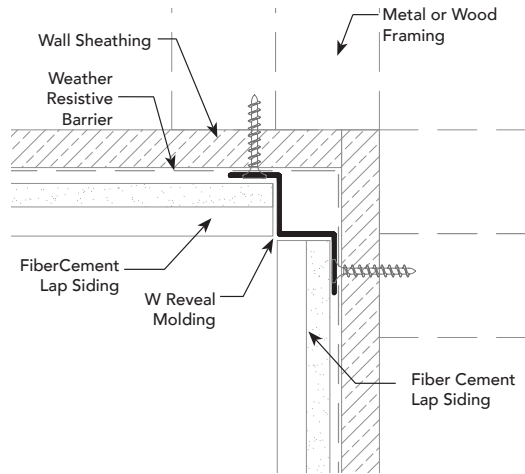
Where indicated on drawings, Fry Reglet W Inside Corner Lap Trim as manufactured by Fry Reglet Corporation, shall be installed. Aluminum shall be extruded alloy 6063 T5, with primed finish, clear anodized or other specified finish. Refer to finish section.

NOTE: Attach panel in accordance with the

SIZES

REVEAL DEPTH	NUMBER
NOM. 3/4"	FCP-WRM7575625

INSTALLATION DETAIL / Cross Section



INSTALLATION DETAIL / ISO View

