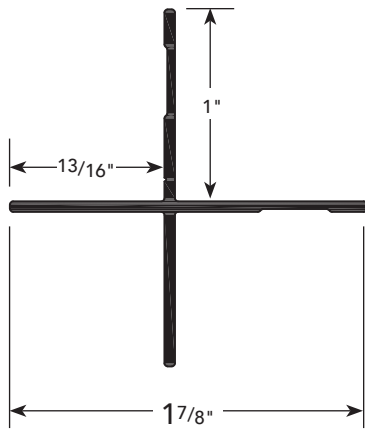


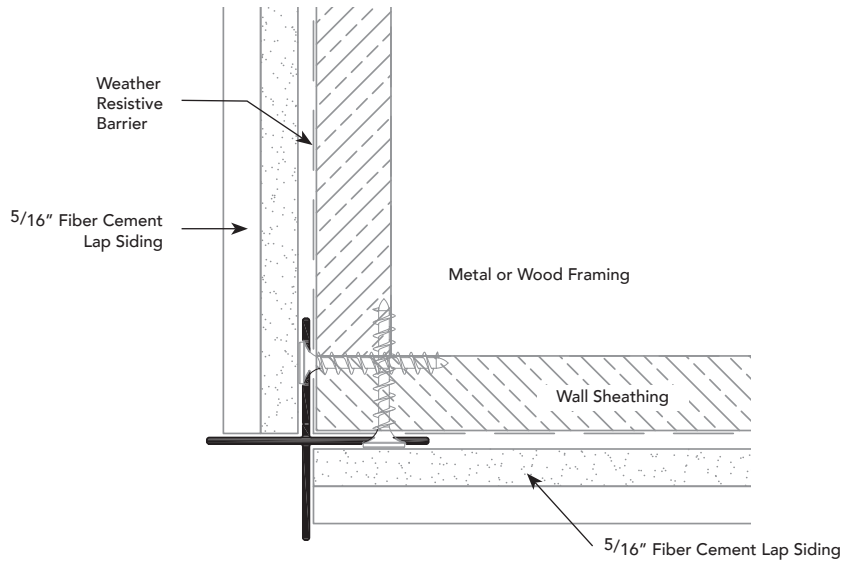
PRODUCT DETAIL



INSTALLATION DETAIL / Cross Section

A.32

SLEEK OSC LAP



USAGE

Fry Reglet FCP Sleek Outside Corner Lap creates a straight and true abuse resistant corner that provides a termination point for the vertical ends of Lap fiber cement panels.

GUIDE SPECIFICATION

Where indicated on drawings, Fry Reglet Sleek Outside Corner Lap, as manufactured by Fry Reglet Corporation, shall be installed. Aluminum shall be extruded alloy 6063 T5, with primed finish, clear anodized or other specified finish. Refer to finish section.

NOTE: Attach panel in accordance with the manufacturers fastening schedule. Not to be used in horizontal applications.

SIZES

REVEAL DEPTH	NUMBER
NOM. 13/16"	FCP-LPO/SCNRLAP

INSTALLATION DETAIL / ISO View

