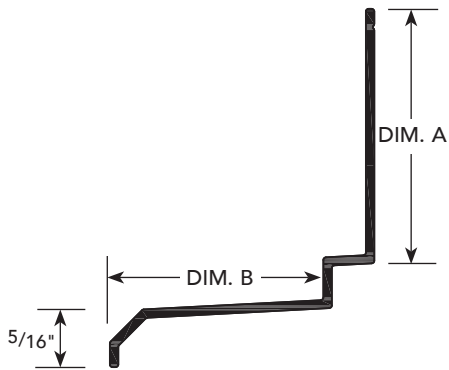


PRODUCT DETAIL



USAGE

Fry Reglet FCP Double Drip Cap creates an attractive architectural reveal between horizontal ends of fiber cement panels, tops of doors and windows. The profile shape channels moisture out.

GUIDE SPECIFICATION

Where indicated on drawings, Fry Reglet Double Drip Cap, as manufactured by Fry Reglet Corporation, shall be installed. Aluminum shall be extruded alloy 6063 T5, with primed finish, clear anodized or other specified finish. Refer to finish section.

NOTE: Attach panel in accordance with the manufacturers fastening schedule.

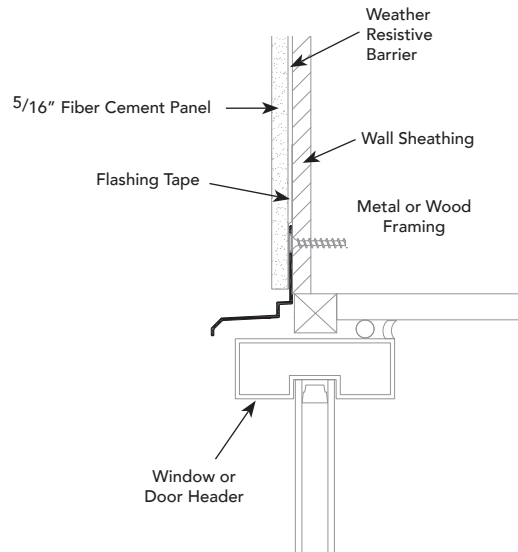
SIZES

DIM. A REVEAL DEPTH	DIM. B	NUMBER
1 1/2"	1 5/16"	FCP-DRIPCAPDBL

INSTALLATION DETAIL / Cross Section

A.34

DOUBLE DRIP CAP



INSTALLATION DETAIL / ISO View

