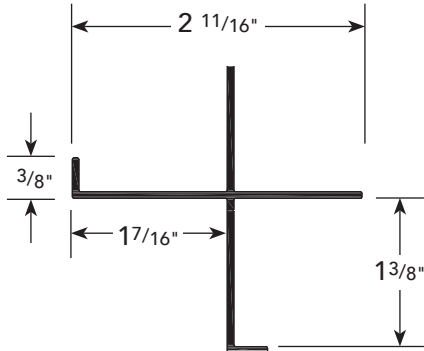


A.37

PRODUCT DETAIL

ARTISAN OSC



USAGE

Fry Reglet FCP Artisan Outside Corner creates a stepped edge at lapped siding outside corners. The trim design eliminates the need to miter cut the panels while minimizing bowing of the lower panel.

GUIDE SPECIFICATION

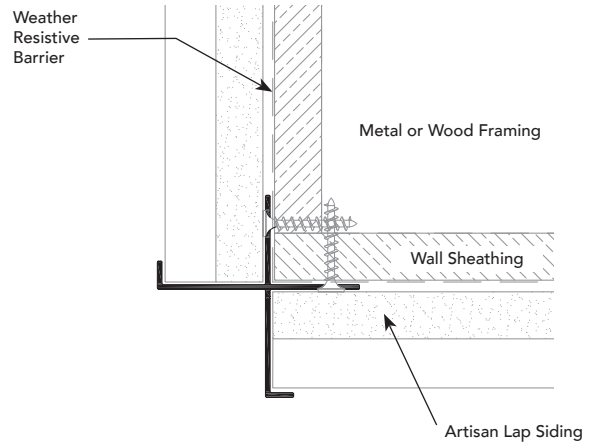
Where indicated on drawings, Fry Reglet Artisan Outside Corner, as manufactured by Fry Reglet Corporation, shall be installed. Aluminum shall be extruded alloy 6063 T5, with primed finish, clear anodized or other specified finish. Refer to finish section.

NOTE: Attach panel in accordance with the manufacturers fastening schedule. Not to be used in horizontal applications.

SIZES

| REVEAL DEPTH | NUMBER |
|--------------|----------------|
| 1 3/8" | FCP-O/SCNR1375 |

INSTALLATION DETAIL / Cross Section



INSTALLATION DETAIL / ISO View

