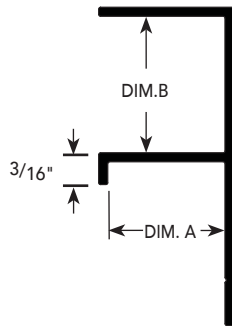
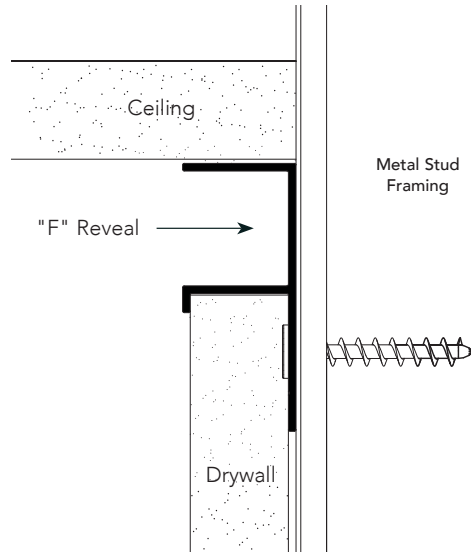


"F" REVEAL



INSTALLATION DETAIL / Cross Section



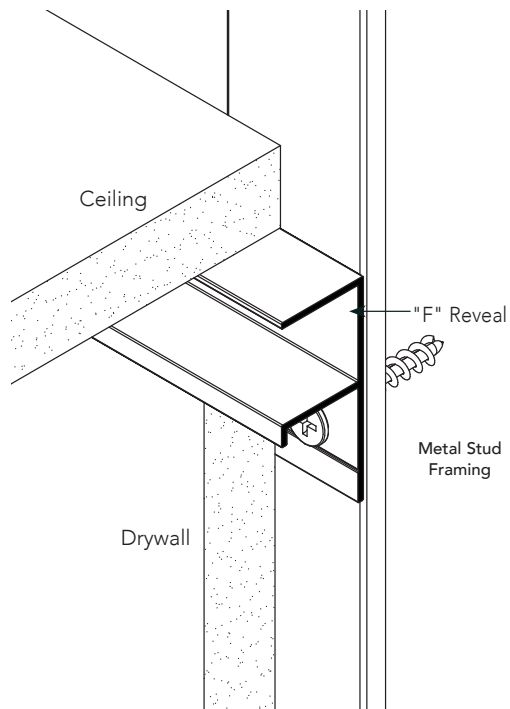
USAGE

Fry Reglet "F" Reveal creates a wall reveal transition between ceiling and wall or used vertically between a wall and other building material. Available vented for use where soffit ventilation is required.

GUIDE SPECIFICATION

Where indicated on drawings, Fry Reglet "F" Reveal, as manufactured by Fry Reglet Corporation, shall be installed. Aluminum shall be extruded alloy 6063 T5, with chemical conversion coating, clear anodized or other specified finish. Refer to finish section.

INSTALLATION DETAIL / ISO View



## SIZES

## DA.12

## "F" REVEAL

DIM. A REVEAL DEPTH	DIM. B REVEAL WIDTH	NUMBER	
		NON-VENTED	VENTED
1/2"	3/4"	FDM-50-75	FDM-50-V-75
5/8"	1/2"	FDM-625-50	FDM-625-V-50
5/8"	3/4"	FDM-625-75	FDM-625-V-75
5/8"	1"	FDM-625-100	FDM-625-V-100
5/8"	1 1/2"	FDM-625-150	FDM-625-V-150
5/8"	2 1/2"	FDM-625-250	FDM-625-V-250
5/8"	3"	FDM-625-300	FDM-625-V-300