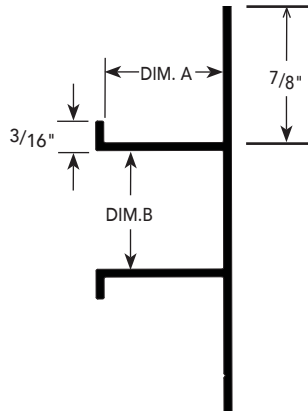


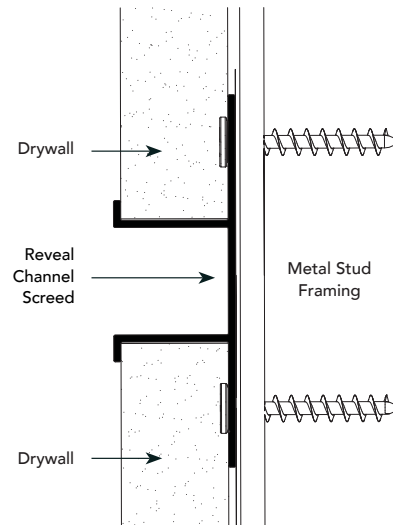
DA.11

PRODUCT DETAIL

REVEAL/
CHANNEL
SCREED



INSTALLATION DETAIL / Cross Section



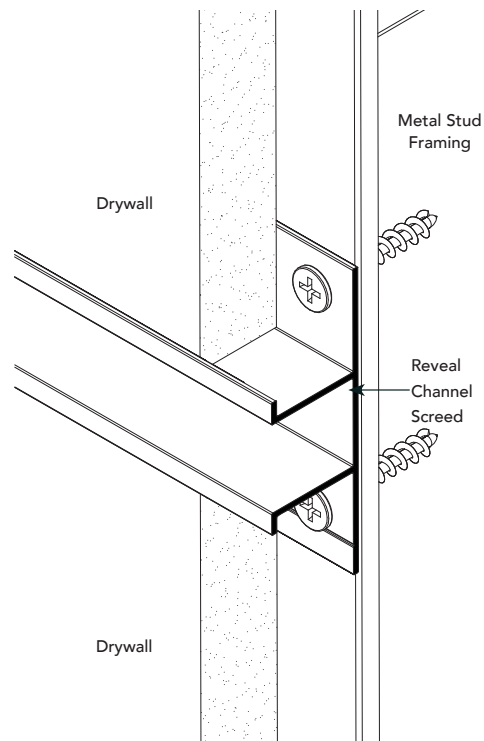
USAGE

Fry Reglet Reveal Channel Screed provides an attractive break when used horizontally in a straight or curved long run of drywall. Can be used vertically to add an attractive design element in straight or curved walls. A wide range of reveal widths from 1/2" to 6" permits a broad choice of design effects. Available vented for use where soffit ventilation is required.

GUIDE SPECIFICATION

Where indicated on drawings, Fry Reglet Reveal Channel Screed, as manufactured by Fry Reglet Corporation, shall be installed. Aluminum shall be extruded alloy 6063 T5, with chemical conversion coating, clear anodized or other specified finish. Refer to finish section.

INSTALLATION DETAIL / ISO View



SIZES

DA.11

REVEAL/
CHANNEL
SCREED

DIM. A REVEAL DEPTH	DIM. B REVEAL DEPTH	NUMBER	
		NON-VENTED	VENTED
1/2"	1/2"	DCS-50-50	DCS-50-V-50
1/2"	3/4"	DCS-50-75	DCS-50-V-75
1/2"	1"	DCS-50-100	DCS-50-V-100
1/2"	1 1/2"	DCS-50-150	DCS-50-V-150
1/2"	2"	DCS-50-200	DCS-50-V-200
1/2"	3"	DCS-50-300	DCS-50-V-300
1/2"	4"	DCS-50-400	DCS-50-V-400
5/8"	1/2"	DCS-625-50	DCS-625-V-50
5/8"	3/4"	DCS-625-75	DCS-625-V-75
5/8"	1"	DCS-625-100	DCS-625-V-100
5/8"	1 1/2"	DCS-625-150	DCS-625-V-150
5/8"	2"	DCS-625-200	DCS-625-V-200
5/8"	2 1/2"	DCS-625-250	DCS-625-V-250
5/8"	3"	DCS-625-300	DCS-625-V-300
5/8"	4"	DCS-625-400	DCS-625-V-400
5/8"	6"	DCS-625-600	DCS-625-V-600