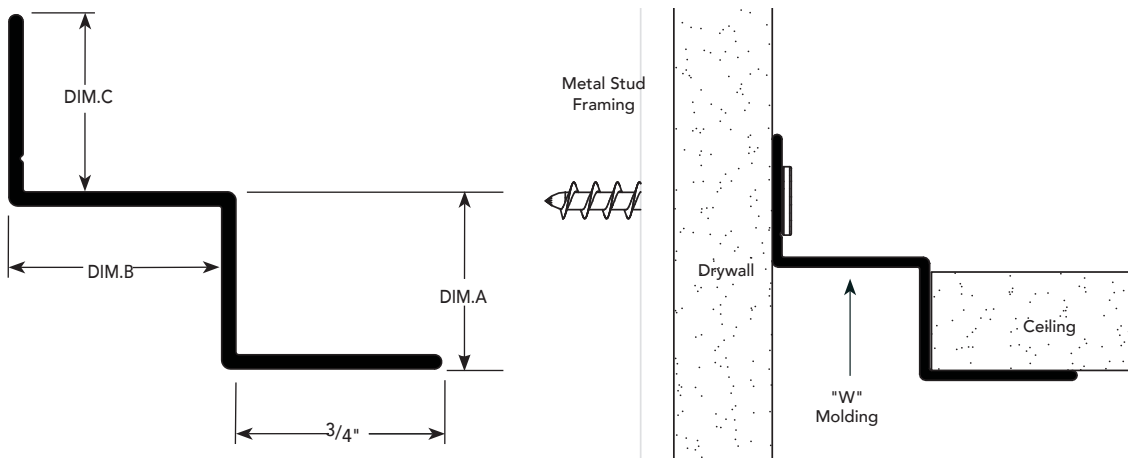


PRODUCT DETAIL

INSTALLATION DETAIL / Cross Section

DA.15

"W" MOLDING



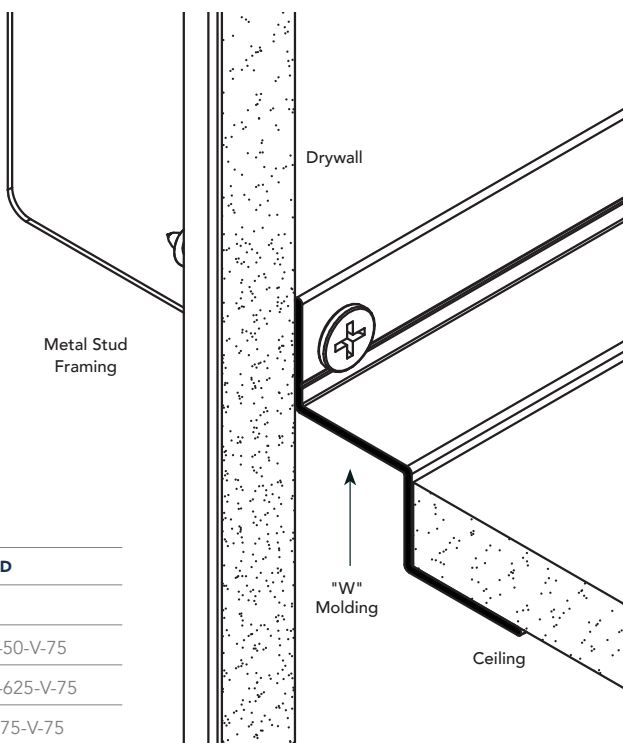
USAGE

Fry Reglet "W" Molding provides a reveal at wall/ceiling terminations. Available vented for air flow between room and plenum. Also provides support for many types of ceiling systems.

GUIDE SPECIFICATION

Where indicated on drawings, Fry Reglet "W" Molding, as manufactured by Fry Reglet Corporation, shall be installed. Aluminum shall be extruded alloy 6063 T5, with chemical conversion coating, clear anodized or other specified finish. Refer to finish section.

INSTALLATION DETAIL / ISO View



SIZES

DIM. A REVEAL DEPTH	DIM. B REVEAL WIDTH	DIM. C REVEAL DEPTH	NUMBER	
			NON-VENTED	VENTED
1/2"	1/2"	5/8"	WDM-50-50-625	--
1/2"	3/4"	1"	WDM-50-75	WDM-50-V-75
5/8"	3/4"	1"	WDM-625-75	WDM-625-V-75
3/4"	3/4"	5/8"	WRM-75-75-625	WRM-75-V-75