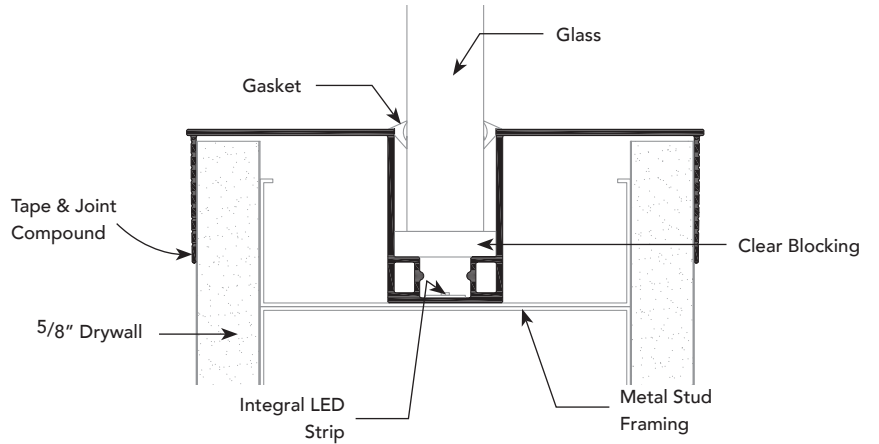
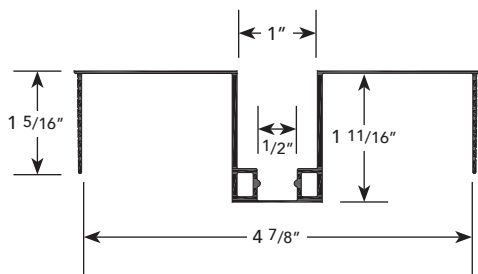


PRODUCT DETAIL

INSTALLATION DETAIL / Cross Section

LED GLAZING TRACK



LED-DMGT GLASS GASKET SIZES

GLASS THICKNESS	PART NUMBER
For use with 1/2" Glass	RR-3657
For use with 5/8" Glass	RR-3654
For use with 3/4" Glass	RR-3730

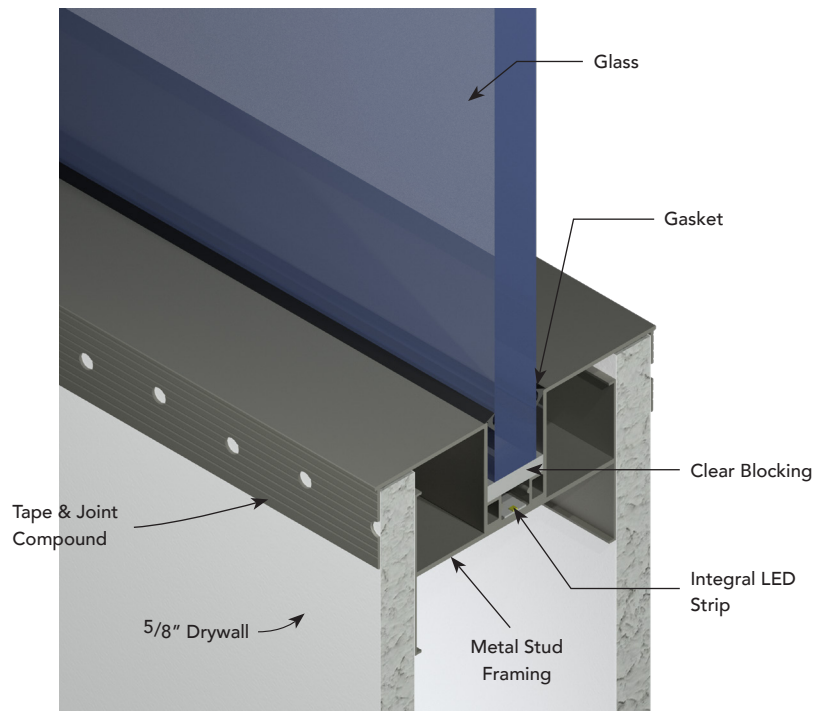
USAGE

Fry Reglet LED Glazing Track is designed for 5/8" drywall and provides a continuous band of light along the bottom edge of translucent panels such as glass, acrylic or resin. For horizontal applications. LED lens, clear blocking and gasket included. See A10 for End Closure details.

GUIDE SPECIFICATION

Where indicated on drawings, DMGT LED Glazing Track, as manufactured by Fry Reglet Corporation, shall be installed. Aluminum shall be extruded alloy 6063 T5, with clear anodized or powder coat finish. Specify length and Kelvin

INSTALLATION DETAIL / ISO View



LIGHTING OPTIONS

LED GLAZING TRACK

LED'S / FT	KELVIN	LENGTH	PART #
32	2700	2'	LED-DMGT_A2C
		4'	LED-DMGT_A4C
		6'	LED-DMGT_A6C
		8'	LED-DMGT_A8C
		10'	LED-DMGT_A10C
	3000	2'	LED-DMGT_B2C
		4'	LED-DMGT_B4C
		6'	LED-DMGT_B6C
		8'	LED-DMGT_B8C
		10'	LED-DMGT_B10C
	3500	2'	LED-DMGT_C2C
		4'	LED-DMGT_C4C
		6'	LED-DMGT_C6C
		8'	LED-DMGT_C8C
		10'	LED-DMGT_C10C
4000	2'	LED-DMGT_D2C	
	4'	LED-DMGT_D4C	
	6'	LED-DMGT_D6C	
	8'	LED-DMGT_D8C	
	10'	LED-DMGT_D10C	
28	RGB	2'	LED-DMGT_2RGB
		4'	LED-DMGT_4RGB
		6'	LED-DMGT_6RGB
		8'	LED-DMGT_8RGB
		10'	LED-DMGT_10RGB

C = CLEAR ANODIZED

P = PAINTED