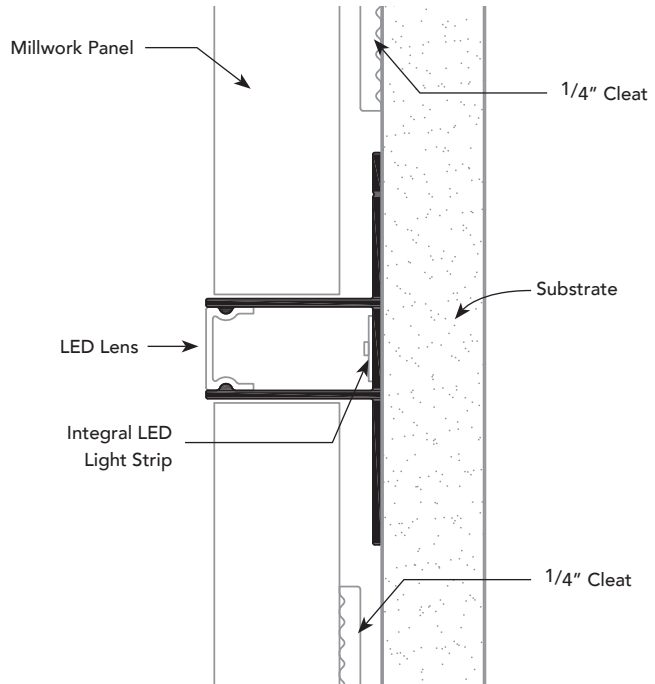
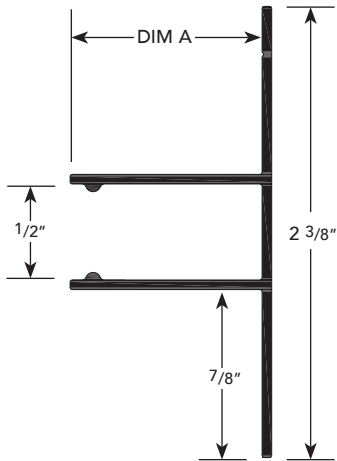


PRODUCT DETAIL

INSTALLATION DETAIL / Cross Section

LIGHTED MILLWORK REVEAL



INSTALLATION DETAIL / ISO View

USAGE

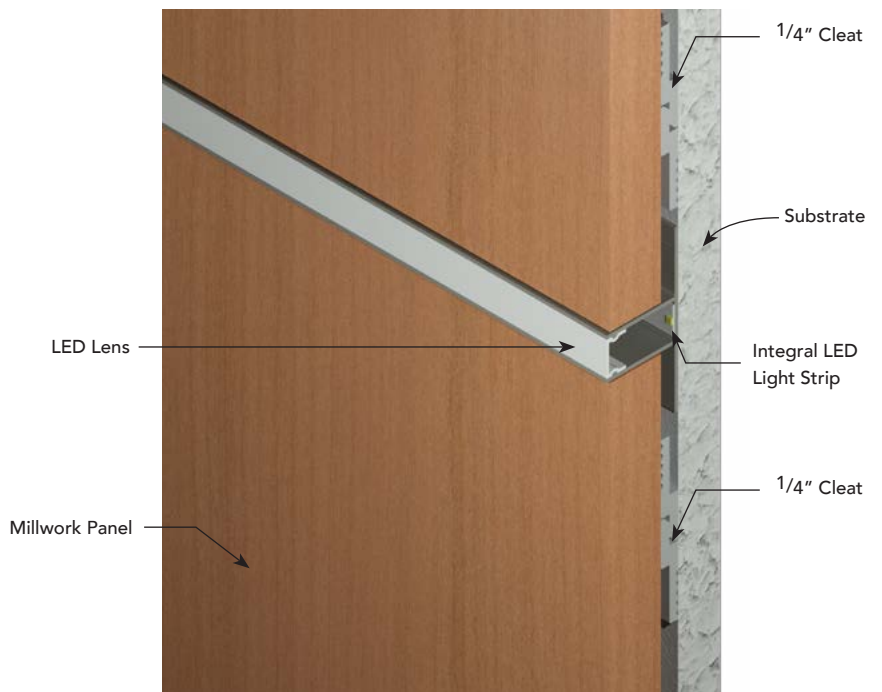
Fry Reglet Lighted Millwork Reveal installs with 1/2", 3/4" or 1" millwork panels and provides a continuous band of light horizontally or vertically. Frosted lens included.

GUIDE SPECIFICATION

Where indicated on drawings, Fry Reglet Lighted Millwork Reveal, as manufactured by Fry Reglet Corporation, shall be installed. Aluminum shall be extruded alloy 6063 T5, with clear anodized, colored anodized or powder coat finish. Specify length and Kelvin temperature.

SIZES

DIM A	NUMBER
1/2"	LED-MWR5050
3/4"	LED-MWR7550
1"	LED-MWR10050



LIGHTING OPTIONS

LIGHTED MILLWORK REVEAL

LED'S / FT	KELVIN	LENGTH	PART #
32	2700	2'	LED-MWR_A2C
		4'	LED-MWR_A4C
		6'	LED-MWR_A6C
		8'	LED-MWR_A8C
		10'	LED-MWR_A10C
	3000	2'	LED-MWR_B2C
		4'	LED-MWR_B4C
		6'	LED-MWR_B6C
		8'	LED-MWR_B8C
		10'	LED-MWR_B10C
	3500	2'	LED-MWR_C2C
		4'	LED-MWR_C4C
		6'	LED-MWR_C6C
		8'	LED-MWR_C8C
		10'	LED-MWR_C10C
	4000	2'	LED-MWR_D2C
		4'	LED-MWR_D4C
		6'	LED-MWR_D6C
		8'	LED-MWR_D8C
		10'	LED-MWR_D10C

C = CLEAR ANODIZED

P = PAINTED

Example: LED-MWR10050A2C/P

